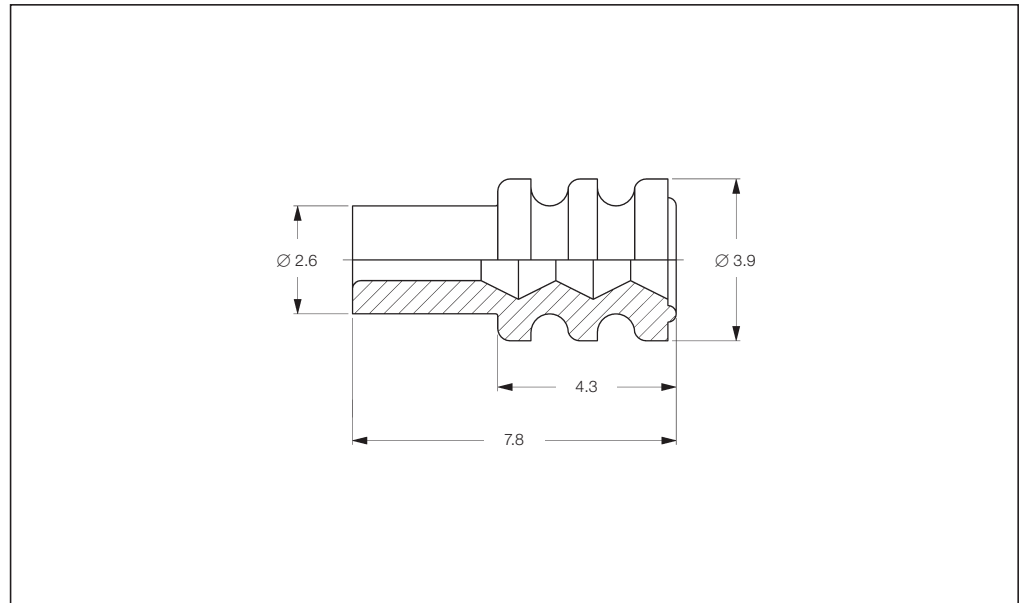


Single Wire Seals and Sealing Plugs

Single Wire Seals and Sealing Plugs for Micro Timer II; Micro Timer III and 1.6 mm Tabs



Insulation Diameter (mm)	Color	Part Number	Package Quantity
0.35-0.50	Blue	1394133-1	10,000
0.9-1.2	Green	1718705-1	10,000
1.2-1.6	Red	964971-1	10,000
1.4-1.9	Grey	963530-1	10,000
1.9-2.4	Yellow	964972-1	10,000
Sealing Plug	White	963531-1	10,000
	Natural	1394132-1	10,000

