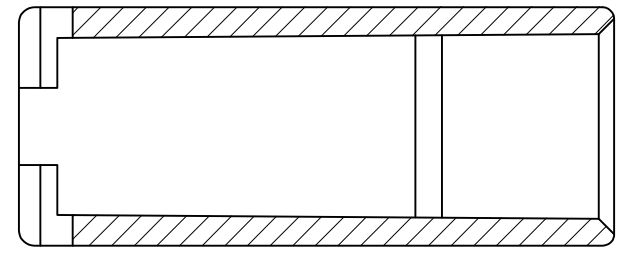


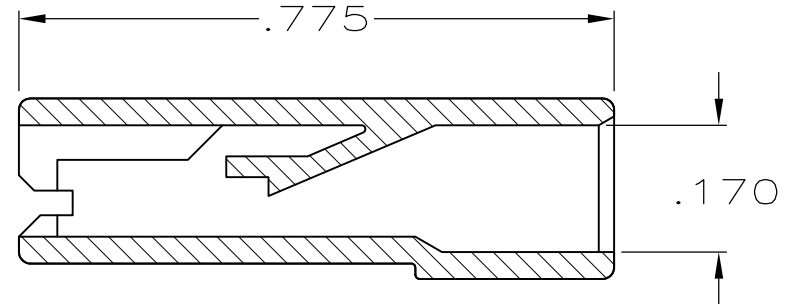
THIS DRAWING IS UNPUBLISHED. RELEASED FOR PUBLICATION
 © COPYRIGHT - By - ALL RIGHTS RESERVED.

LOC	DIST	REVISIONS					
AF	50	P	LTR	DESCRIPTION	DATE	DWN	APVD
		W1		REVISED PER ECR-13-014053	17SEP2013	KH	PD

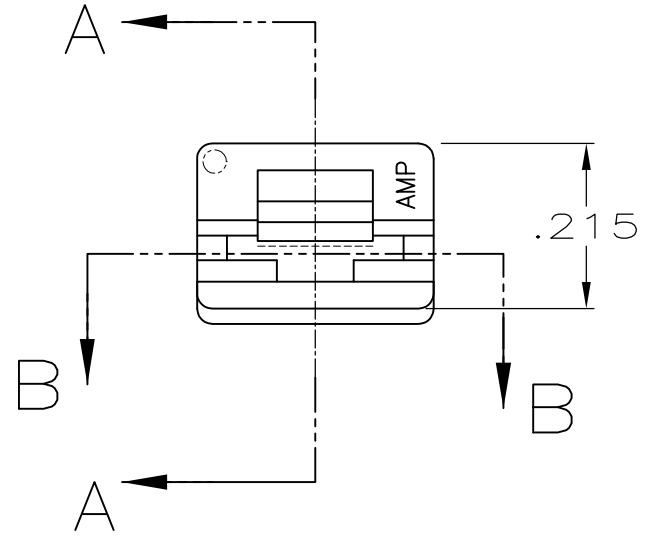
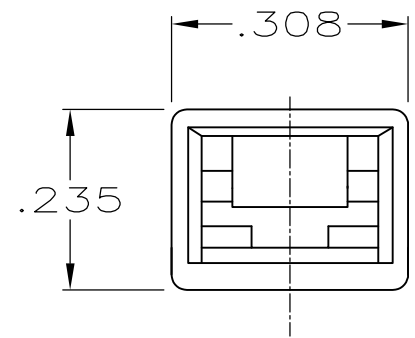
- △1 FOR FOREIGN PRODUCTION ONLY.
- △2 PRELIMINARY - NOT FOR PRODUCTION
- △3 POLYAMIDE ACCORDING TO IEC 60335-1, GLOW WIRE.
- △4 OBSOLETE PARTS: OBSOLETE CIS STREAMLINING PER D.RENAUD/D.SINISI
- 5 ACCEPTS 187 SERIES FASTONS BUDGET AND PREMIER STYLE RECEPTACLES
- △6 PREPRODUCTION - FASR REQUIRED



SECTION B-B
ROTATED 90° CW



SECTION A-A



	BLACK	LCP-200°C	2-480435-3
	NATURAL	PA6 NYLON, V0	2-480435-2
	NATURAL	△3 66 NYLON, UL94, V0	△6 2-480435-1
OBSOLETE	NATURAL	UL94 5VA RATED	2-480435-0
△4 OBSOLETE △1	NATURAL	△3 UL94, V2	1-480435-5
△4 OBSOLETE △1	DYED BLACK	6/6 NYLON	1-480435-4
△4 OBSOLETE △1	DYED RED		1-480435-3
	NATURAL		1-480435-2
			1-480435-0
	FINISH	MATERIAL	PART NO

THIS DRAWING IS A CONTROLLED DOCUMENT.		DWN	JR RUTH	2/4/91	TE Connectivity												
DIMENSIONS: INCHES		CHK	P FORTNEY	2/4/91													
TOLERANCES UNLESS OTHERWISE SPECIFIED:		APVD	R KUZO	2/4/91													
<table border="0"> <tr><td>0 PLC</td><td>± -</td></tr> <tr><td>1 PLC</td><td>± -</td></tr> <tr><td>2 PLC</td><td>± -</td></tr> <tr><td>3 PLC</td><td>± .015</td></tr> <tr><td>4 PLC</td><td>± -</td></tr> <tr><td>ANGLES</td><td>± -</td></tr> </table>		0 PLC	± -	1 PLC				± -	2 PLC	± -	3 PLC	± .015	4 PLC	± -	ANGLES	± -	NAME
0 PLC	± -																
1 PLC	± -																
2 PLC	± -																
3 PLC	± .015																
4 PLC	± -																
ANGLES	± -																
MATERIAL	SEE TABLE	FINISH	SEE TABLE	WEIGHT	-	SIZE	A3	CAGE CODE	00779	DRAWING NO	C-480435	RESTRICTED TO	-				
CUSTOMER DRAWING						SCALE	4:1	SHEET	1 OF 1	REV	W1						