

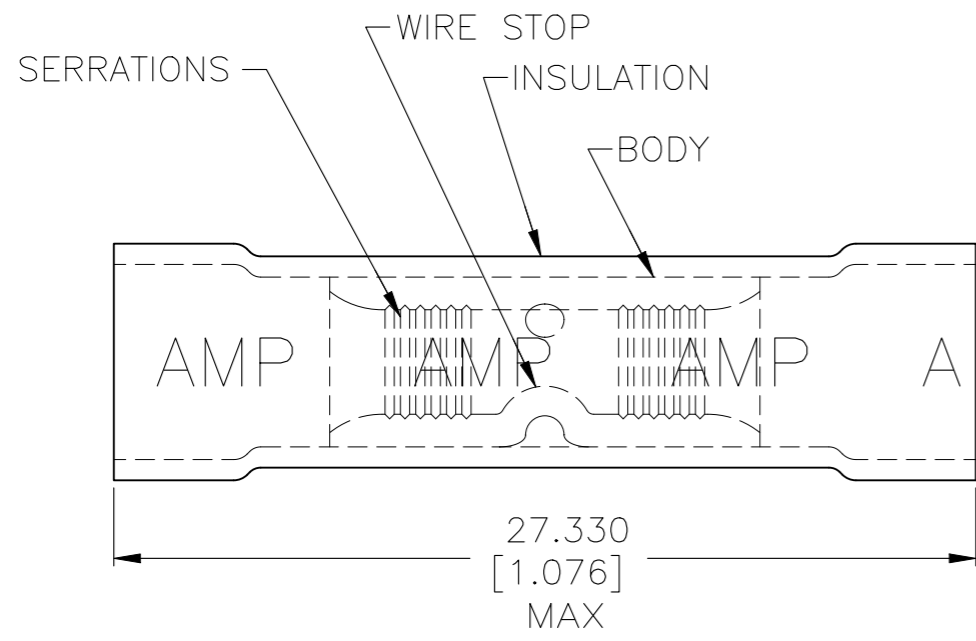



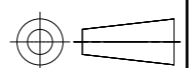
REVISIONS				
P	LTR	DESCRIPTION	DATE	APVD
	T5	REVISED PER ECR-25-255998	15SEP2025	SA DSC

AMP WIRE RANGE	 E13288	 LR7189 Certified
22-16 AWG SOLID OR STRANDED	22-16 AWG SOLID OR STRANDED	22-16 AWG SOLID OR STRANDED

- 1 WIRE INSUL DIA,
2.667-3.556 [.105-.140]
- 2 NOTE DELETED



100	LOOSE PIECE, BOX	8-34070-1
1 KIT = 250 PIECES	LOOSE PIECE	6-34070-0
2500	ON TAPE, REEL	1-34070-1
1000	LOOSE PIECE	34070
QTY	PACKAGE TYPE	PART NO

AMP INCORPORATED CUSTOMER SERVICE SYSTEM		MAX RECOMMENDED OPERATING TEMPERATURE: 105° C [221° F]	THIS DRAWING IS A CONTROLLED DOCUMENT.		DWN M ELLIS 19JUL95	 TE Connectivity				
FOR ADDITIONAL PRODUCT INFORMATION OR COPIES OF DRAWINGS AND TECHNICAL DOCUMENTS	PRODUCT INFORMATION CENTER 1-800-522-6752		DIMENSIONS: mm [INCHES]	TOLERANCES UNLESS OTHERWISE SPECIFIED:	CHK C PRESNELL 19JUL95					
FOR APPLICATION TOOLING INFORMATION	TOOLING ASSISTANCE CENTER 1-800-722-1111	VOLTAGE RATING: 600V MAX 1000V (FIXTURES OR SIGNS)		APVD S BORTNER 19JUL95	NAME SPLICE, BUTT, PLASTI-GRIP WIRE SIZE: 22-16 AWG	PRODUCT SPEC UL486A-B	SIZE A3	CAGE CODE 00779	DRAWING NO C-34070	RESTRICTED TO -
FOR ORDER ENTRY	1-800-526-5142	CIRCULAR MIL AREA: 0.26mm ² -1.65mm ² [509-3260] SOLID OR STRANDED	MATERIAL BODY, CU ASTM B 152 INSULATION: PVC	FINISH BODY: TIN PLATE PER ASTM B545 INSULATION: COLOR-RED	APPLICATION SPEC 114-2161	WEIGHT	SCALE 4:1	SHEET 1 OF 1	REV T5	