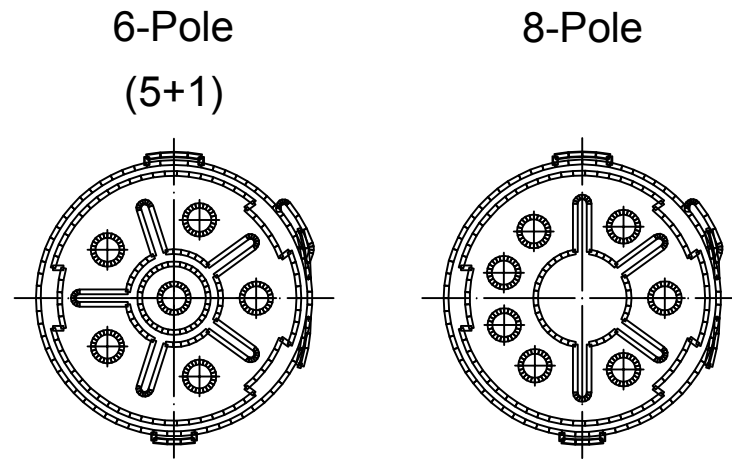
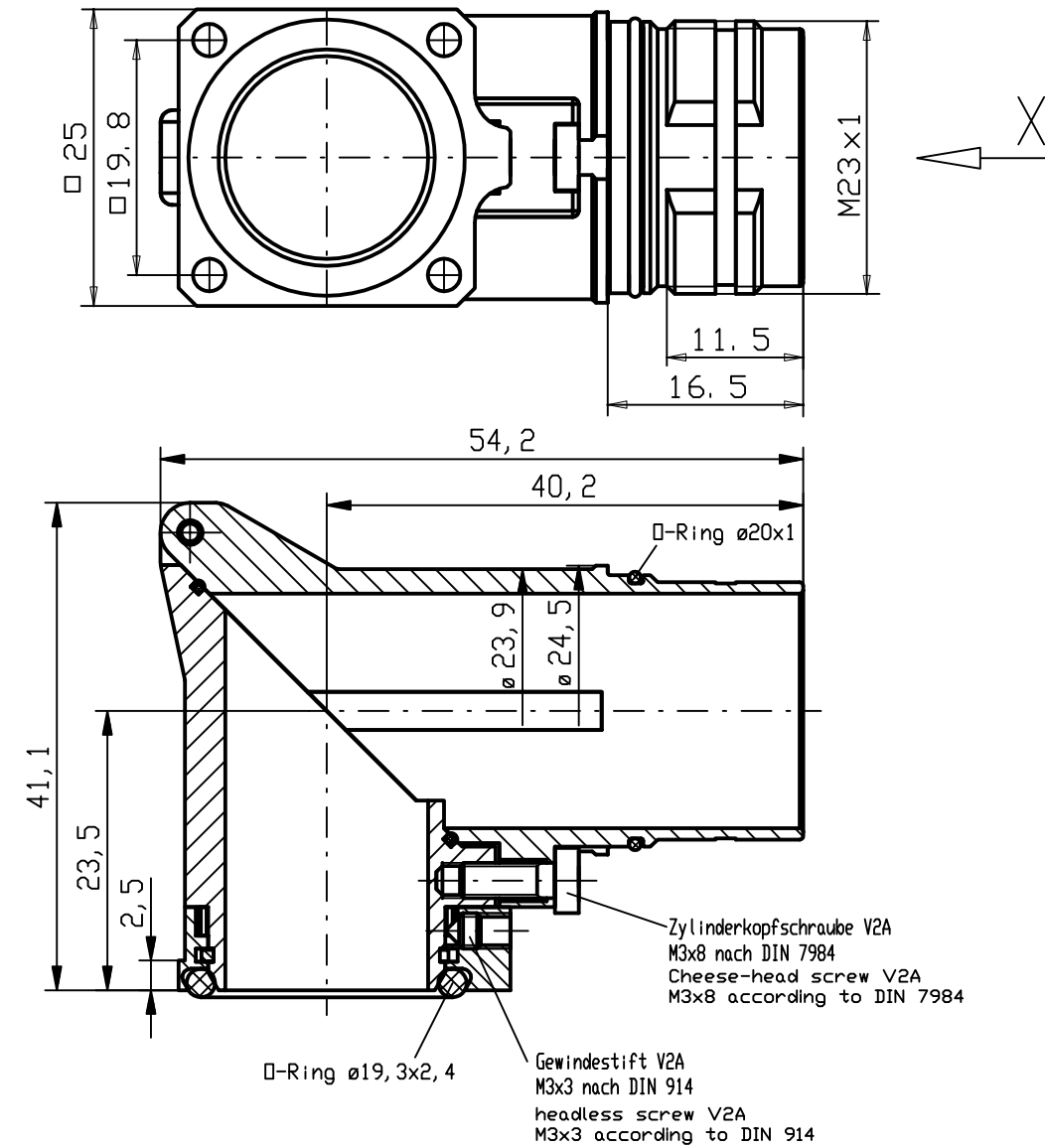


Views from "X" rotated



	Cable Diameter	Crimp Contacts	Without Contacts
6 Pole (5+PE)		KRP6G07-1012 1202340009	KRP6G07-0012 1202340010
	Crimp range*	0,75-2,5mm ²	
8 Pole (4+3+PE)		KRP8G07-1112 1202340011	KRP8G07-0012 1202340012
	Crimp range*	0,25-1,0mm ² /0,75-2,5mm ²	

*Crimp range only applies to "Crimp Contacts" version



Notes:

Tolerances (unless specified): DIN ISO 2768 m

DESCRIPTION EC NO.: WEU2009-0135 DRWN: BBRAUCH 2008/11/19 CH'KD: --- APPR: JKOLB 2009/03/02	QUALITY SYMBOLS	GENERAL TOLERANCES (UNLESS SPECIFIED)		DIMENSION STYLE	SCALE	DESIGN UNITS	FIRST ANGLE PROJECTION
	▽ = 0 ▽C = 0	mm	INCH	MM	---	METRIC	
1	REV	4 PLACES	±----	±----	DRAWN BY	DATE	M23 FRONT PM RECEPT. MALE 90DEG FLANGE-MOUNT 4XDIA2.7MM ROTA.F25X25MM
		3 PLACES	±----	±----	BB	2008/11/19	
		2 PLACES	±0.05	±----	CHECKED BY	DATE	MOLEX INCORPORATED
		1 PLACE	±0.1	±----	JKO	2008/12/09	
		ANGULAR ± --- °		APPROVED BY	DATE		
		DRAFT WHERE APPLICABLE MUST REMAIN WITHIN DIMENSIONS		MATERIAL NO.	DOCUMENT NO.	SHEET NO.	
				see table	SD-120234-003	1 OF 1	
				SIZE A3	THIS DRAWING CONTAINS INFORMATION THAT IS PROPRIETARY TO MOLEX INCORPORATED AND SHOULD NOT BE USED WITHOUT WRITTEN PERMISSION		