

SVS Eco valve plug A-18mm screw terminal

3-pol. + PE, 0,5 - 1,5mm², 6 - 8mm

Art.No.: 7000-29405-0000000

Weight: 0.028

Country of origin: HU

Model designation: MSVSE-EB5K-M16 SVS Eco

Form A (18 mm) for pressure switch

250 V AC/DC

without components

metric

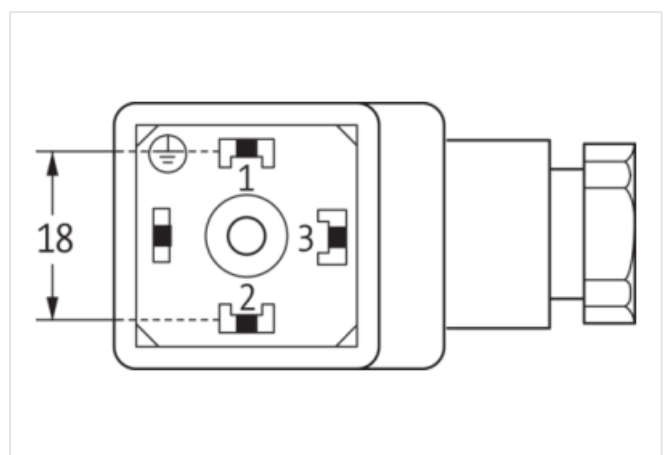
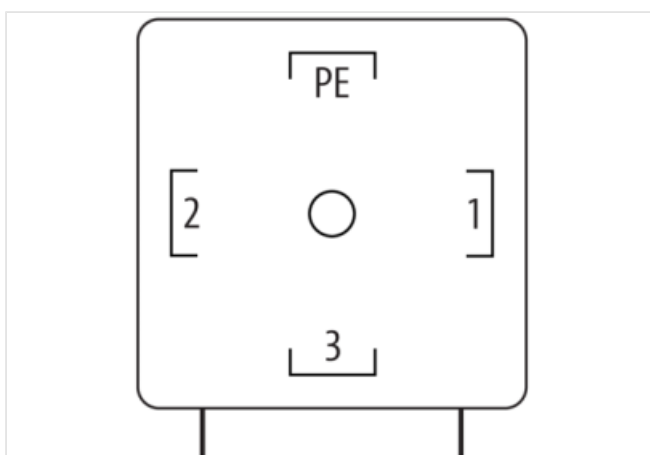
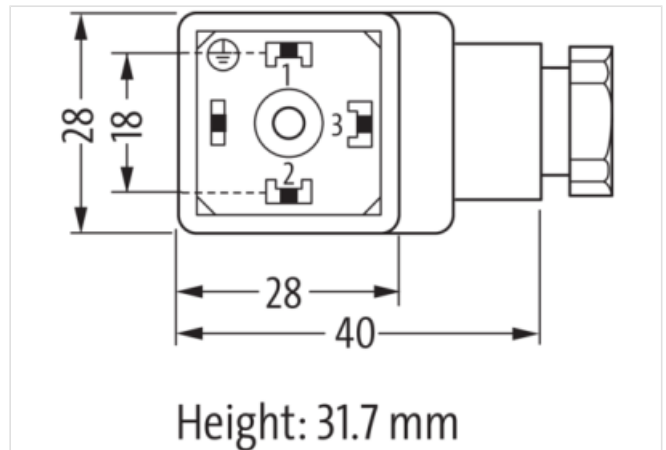
field-wireable

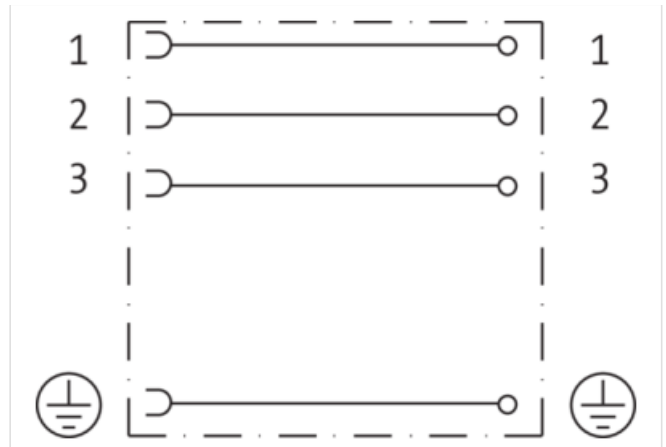
Plastic housings with good resistance against chemicals and oils.

The resistance to aggressive media should be individually tested for your application. Further details on request.

[Link to Product](#)

Illustration





Product may differ from Image

**Side 1**

Mounting method	inserted, screwed
Degree of protection (EN IEC 60529)	IP65

Commercial data

URL Webshop	https://shop.murrelektronik.com/7000-29405-0000000
customs tariff number	85366990
EAN	4048879187435
Packaging unit	1

Electrical data | Supply

Operating voltage AC max.	250 V
Operating voltage DC max.	250 V
Current operating per contact max.	10 A

Installation

Connection cross section min.	0.5 mm ²
Connection cross section max.	1.5 mm ²

Installation | Connection

Tightening torque	0.4 Nm
Tightening torque tolerance	± 0.1 Nm
Tightening torque clamping screw	0.2 Nm
Mounting set	M16 x 1.5

Installation | Pin assignment

No. of poles	PE
--------------	----

Device protection | Electrical

Additional condition protection degree	inserted, screwed
--	-------------------

Mechanical data | Material data

Material housing	PA
Color housing	black
Material gasket	NBR

Mechanical data | Mounting data

fastening screw	M3
-----------------	----

Clamping range min.	6 mm
---------------------	------

Clamping range max.	8 mm
---------------------	------

Environmental characteristics | Climatic

Operating temperature min.	-40 °C
----------------------------	--------

Operating temperature max.	90 °C
----------------------------	-------

Important installation notes

Note on bending radius	Attention: Observe the permissible bending radii when laying cables, as the IP protection class can be endangered by excessive bending forces.
------------------------	---

Note on strain relief	Protect the connectors by suitable measures from mechanical loads, e.g. by the usage of cable ties.
-----------------------	---