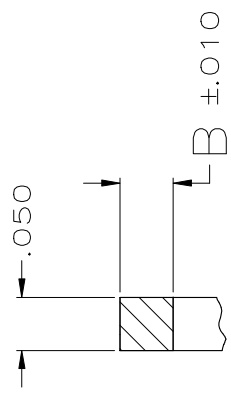
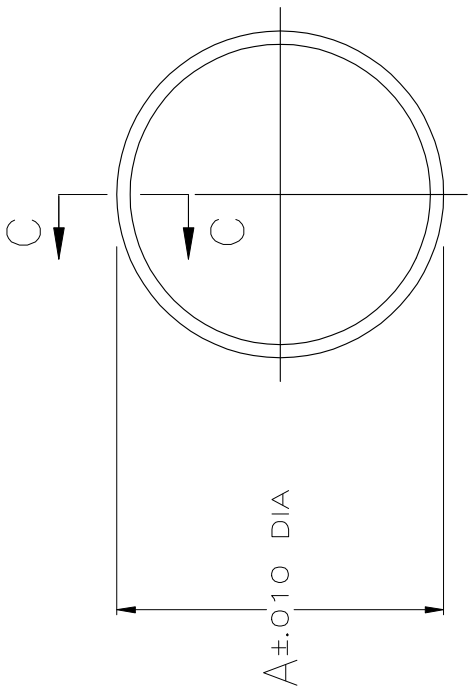


REVISIONS				
P	LTR	DESCRIPTION	DATE	DWN APVD
A		NEW DRAWING PER ECO-19-000698	17JAN2019	RS MZ
B		REVISED PER ECO-19-006047	17APR2019	RS MZ
C		REVISED PER ECO-19-008255	30MAY2019	RS MZ

THIS DRAWING IS UNPUBLISHED.		RELEASED FOR PUBLICATION	
© COPYRIGHT -	By -	ALL RIGHTS RESERVED.	



SECTION C-C  
SCALE 8:1

- NOTES
1. PARTS ARE EU DIRECTIVE 2015/863 (ROHS 2019) COMPLIANT
  2. MATERIAL: NITRILE BUTADIENE RUBBER, BLACK COLOR.

.650	.041	13	2267473-4
1.230	.050	23	2267473-3
.875	.050	17	2267473-2
.514	.041	11	2267473-1
A	B	SHELL SIZE	PART NUMBER

THIS DRAWING IS A CONTROLLED DOCUMENT.		DWN 17JAN2019	
DIMENSIONS: INCHES		CHK 17JAN2019	
TOLERANCES UNLESS OTHERWISE SPECIFIED:		APVD 17JAN2019	
0 PLC ± -		NAME	
1 PLC ± -		MARK ZITTO	
2 PLC ± -		PRODUCT SPEC	
3 PLC ± .005		APPLICATION SPEC	
4 ANGLES ± -	WEIGHT		SIZE
FINISH	CUSTOMER DRAWING		CAGE CODE
MATERIAL ELASTOMER, GRAY	SCALE 2:1		DRAWING NO
-		A300779	
-		C=2267473	
-		RESTRICTED TO	
-		REV	
-		SHEET 1 of 1	



TE Connectivity

PERIPHERAL SEAL, CPC