

Part number

CAO 24 L21



Hood, C-TYPE series, with 2 pegs, Pg21 side cable entry, size "104.27", high construction

Product description

Product type	Hood
Series	C-TYPE
Closing type	With 2 pegs
Size	Size "104.27"
Cable entry	Side cable entry Pg21
Specification	High construction

Technical data

IP degree of protection IP65 / IP66 / IP69

Further technical details

Weight	245,00 g
Operating temperature range (min, max)	-40°C...+125°C

Material properties

Colour	RAL 7040 grey
RoHs conformity	Compliant
China RoHs - EFUP	E
REACH SVHC substances	No

Approvals / Standards

Certifications	DNV, BV
UL	ECBT2
cUL	ECBT8

General ordering information

EAN13 code 8015747006439

Packaging Information

Packaging length	175,00 mm
Packaging height	195,00 mm
Packaging width	260,00 mm
Packaging weight	2,62 kg
Packaging volume	8,87 dm ³
Packaging description	Carton box
Packaging quantity	10 Pcs
Packaging EAN code	8015747195072
Sub-packaging weight	1,31 kg
Sub-packaging description	Plastic packaging
Sub-packaging quantity	5 Pcs
Sub-packaging EAN barcode	8015747006446

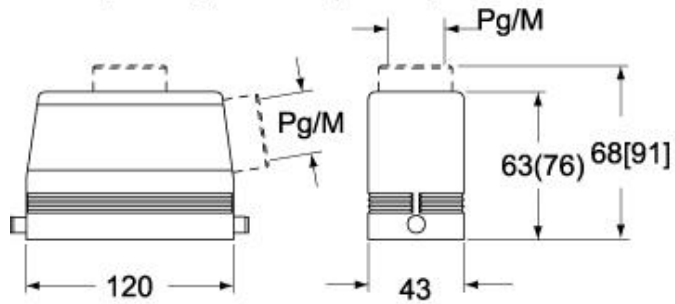
Part number

CAO 24 L21

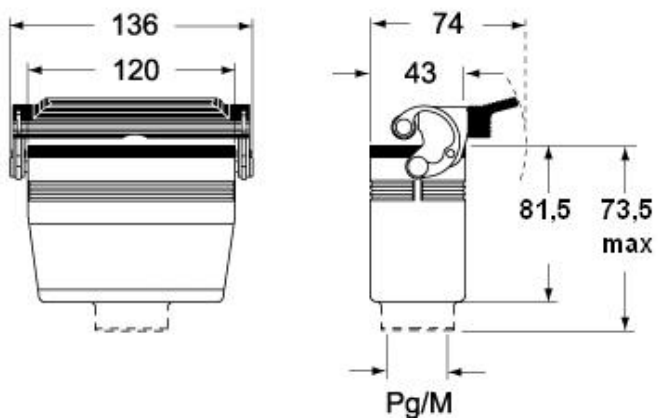


Catalogue drawings

**CHO L (CAO L) - MHO L [MAO L]
CHV L [CAV L] - MHV L (MAV L)**



CHV LG (CAV LG), MHV LG (MAV LG) [MFV LG]



Notes

Dimensions shown in mm are not binding and may be changed without notice.