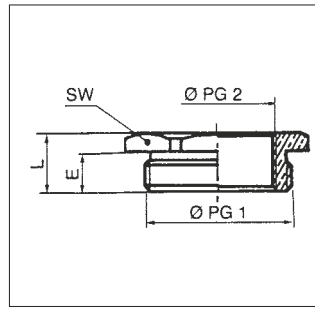


Reduktionen

Messing vernickelt
PG-Gewinde

Reducers

nickel-plated brass
PG-thread



RoHS

Material:
Messing vernickelt
O-Ring: Nitril

Temperaturbereich:
-40°C bis 100°C

Farbe(n)/Ausführungen:

- Außengewinde: PG
- Innengewinde: PG
- 6-kant

Anwendungsbereiche:

- Maschinen- und Apparatebau
- Gehäuse

Material:
nickel-plated brass
O-ring: Nitrile

Temperature range:
-40°C to 100°C

Colour(s)/Designs:

- External thread: PG
- Internal thread: PG
- hexagon

Applications:

- Machines and apparatus construction
- Housings

Außen- gewinde (Ø PG1)	Innen- gewinde (Ø PG2)	Typ	SW	Gewinde- länge (E)	Gesamt- länge (L)	Art.-Nr. ohne O-Ring	Art.-Nr. mit O-Ring	VE Stck.
External thread (Ø PG1)	Internal thread (Ø PG2)	Type	SW mm	Thread length (E) mm	Complete length (L) mm	Art. no. without O-ring	Art. no. with O-ring	PU pcs.
PG 9	PG 7	RS9/7	17,0	5,0	8,0	6102018	6102300	100
PG 11	PG 9	RS11/9	19,0	6,0	9,0	6102034	6102310	100
PG 11	PG 7	RS11/7	19,0	6,0	9,0	6102030	6102311	100
PG 13,5	PG 11	RS13,5/11	21,0	6,0	9,0	6102077	6102320	100
PG 13,5	PG 9	RS13,5/9	21,0	6,0	9,0	6102042	6102321	100
PG 13,5	PG 7	RS13,5/7	21,0	6,0	8,5	6102026	6102322	100
PG 16	PG 13,5	RS16/13	23,0	6,0	9,0	6102115	6102330	100
PG 16	PG 11	RS16/11	23,0	6,0	9,0	6102085	6102331	100
PG 16	PG 9	RS16/9	23,0	6,0	9,0	6102050	6102332	100
PG 16	PG 7	RS16/7	24,0	7,0	10,0	-	6102333	100
PG 21	PG 16	RS21/16	29,0	7,0	10,0	6102158	6102340	50
PG 21	PG 13,5	RS21/13,5	29,0	7,0	10,0	6102123	6102341	50
PG 21	PG 11	RS21/11	29,0	7,0	10,0	6102093	6102342	20
PG 21	PG 9	RS21/9	29,0	7,0	10,0	6102069	-	50
PG 29	PG 21	RS29/21	39,0	8,0	11,0	6102190	6102350	25
PG 29	PG 16	RS29/16	39,0	8,0	11,0	6102166	6102351	25
PG 29	PG 13,5	RS29/13,5	39,0	8,0	11,0	6102131	6102352	25
PG 29	PG 11	RS29/11	39,0	8,0	11,0	6102107	-	25
PG 36	PG 29	RS36/29	50,0	8,0	11,0	6102220	6102360	25
PG 36	PG 21	RS36/21	50,0	8,0	11,0	6102204	6102361	25
PG 36	PG 13,5	RS36/13,5	50,0	8,0	11,0	6102140	-	25
PG 42	PG 36	RS42/36	64,0	10,0	14,0	6102241	6102370	25
PG 42	PG 29	RS42/29	64,0	10,0	14,0	6102239	6102371	25
PG 48	PG 42	RS48/42	64,0	10,0	14,0	6102258	6102380	25
PG 48	PG 36	RS48/36	64,0	10,0	14,0	6102255	6102381	25
PG 48	PG 29	RS48/29	64,0	10,0	14,0	6102247	-	25
PG 48	PG 21	RS48/21	64,0	10,0	14,0	6102212	-	25
PG 48	PG 16	RS48/16	64,0	10,0	14,0	6102182	-	25