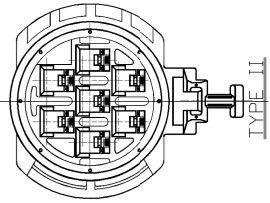
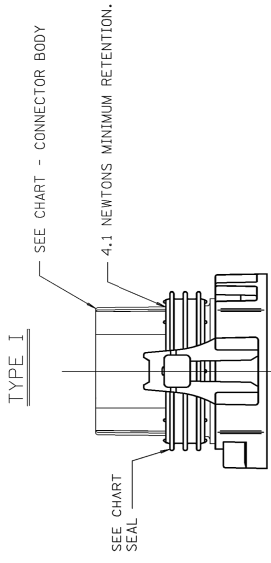
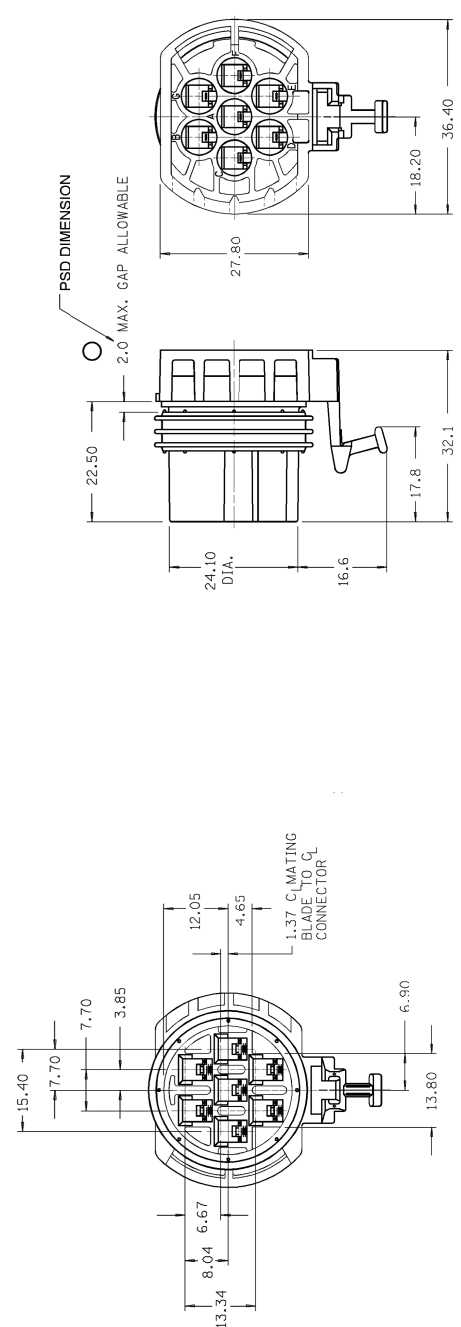


DATE	STG REV	N/P	CHG	ZONE	REVISION HISTORY	AUTH	DR	APPROV
22M92	R	01	-		12110751 - WAS SEPARATE "C" SIZE DMG - REV LEVEL REMAINS AT "D"	149231	BARBAR	BARBAR
22M92	R	02	-		12129613 - RELEASED TO REV "A"	920005	BARBAR	BARBAR
26J93	R	03	-		12129613 - ADDED O.C.SPEC - NO REV UPDATE REQ'D	930004	BARBAR	BARBAR
19A93	R	04	-		12146841 - RELEASED TO REV "A"	930005	HH	HH
01N093	R	05	-		ALL PARTS - REVISED CONNECTOR GRAPHICS - NO REV UPDATE REQ'D	157783	BKOBK	BKOBK
100695	R	06	-		ALL PARTS - REVISED NOTE #2 - NO REV UPDATE REQ'D	163959	RUBRLB	RUBRLB
130605	R	07	-		ALL PARTS - ADDED PSD LABEL AND REMOVED SNIOWCONE SYMBOL & NOTE, NO REV UPDATE REQ'D; 12146841 - CONNECTOR COLOR WAS NATURAL	275277	RMG	FRG/EST



- NOTES
- UNLESS OTHERWISE SPECIFIED AND/OR INDICATED: DIMENSIONS ARE TO FACE OF VIEW SHOWN AND DIMENSIONAL TOLERANCES FOR COMPUTER INSPECTION (SEE MATH MODEL FOR PRECISE DIMENSIONS FOR ALL OTHER DIMENSIONS NOT SHOWN BUT REQUIRED FOR TOOL BUILD, SEE MATH MODEL FOR PRECISE TOOL PATH DATA.
  - REFERENCE MATING COMPONENTS OR EQUIVALENT: CONNECTOR - SEE CHART
  - THIS PART ACCEPTS THE FOLLOWING COMPONENTS OR EQUIVALENT: TERMINAL - 12110846, 12110847 OR EQUIVALENT SECONDARY TERMINAL LOCK - 12110754 MATE SEALABLE SEE 12010295 OR EQUIVALENT CABLE SEAL SEE 12010295 FOR COMPATIBLE O.D. RANGE. CONNECTOR POSITION ASSURANCE LOCK - 12052834
  - SEALING CODE 3 (SEE ES-CD-50.5.1. FOR CODE EXPLANATION).
  - WHEN PARTS ARE SHIPPED THEY MUST BE PACKED IN EITHER PLASTIC BAGS OR SHIPPING CONTAINERS LINED WITH PLASTIC LINERS. BAGS OR LINERS MUST BE SEALED TO AVOID ENTRY OF FOREIGN MATTER.

**DELPHI**  
DELPHI PACKARD ELECTRIC SYSTEMS  
WARREN, OH

DR: BARBARA RUBERTO  
APPROX: AL HERRMANN  
APPROX: R.A. PETROSKY  
APPROX: [blank]  
SUBSTANCES OF CONCERN HAS BEEN CYCLED  
DATE: 26M92  
26M92  
26M92

TAXI ASM CONN F M/P 280 SLD FLXK  
DRAWING NUMBER: 12129815  
SIZE: A1  
SCALE: 2:1  
SHEET NO: 1 OF 1  
REV: R 07

DR TYPE	STYLE	USER CODE
PART DRAWING		

UNLESS OTHERWISE SPECIFIED  
DIMENSIONS ARE IN MILLIMETERS  
DIMENSIONS ENCLOSED IN ( ) INDICATE DIMENSIONS TO WHICH NO TOLERANCE LIMITS ARE APPLIED

THIRD ANGLE PROJECTION  
DO NOT SCALE  
USE MATH DATA

PROCESS SENSITIVE DIMENSION  
DIMENSIONS ENCLOSED IN ( ) INDICATE DIMENSIONS TO WHICH NO TOLERANCE LIMITS ARE APPLIED

FROM	TO	TOLERANCE	UNLESS OTHERWISE SPECIFIED
> 30	> 100	> 0.10	> 0.10
> 100	> 500	> 0.15	> 0.15
> 500	> 1000	> 0.20	> 0.20
> 1000	> 10000	> 0.30	> 0.30
> 10000	> 100000	> 0.40	> 0.40
> 100000	> 1000000	> 0.50	> 0.50
> 1000000	> 10000000	> 0.60	> 0.60
> 10000000	> 100000000	> 0.70	> 0.70
> 100000000	> 1000000000	> 0.80	> 0.80
> 1000000000	> 10000000000	> 0.90	> 0.90
> 10000000000	> 100000000000	> 1.00	> 1.00

PART NO	REV/N/P	TYPE	STATUS	CONNECTOR	SEAL	MATING CONNECTOR	COLOR
12146841	A3					12146840	CREAM
12129613	A					12129614	MED. GRAY
12110751	D					12110753	BLACK