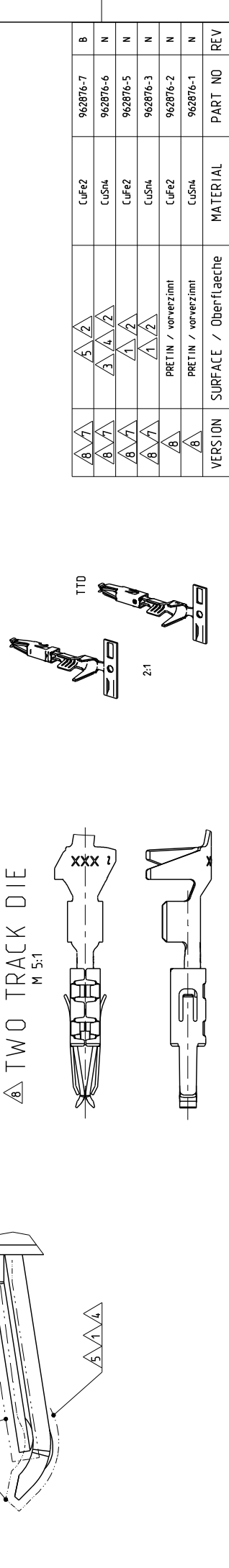
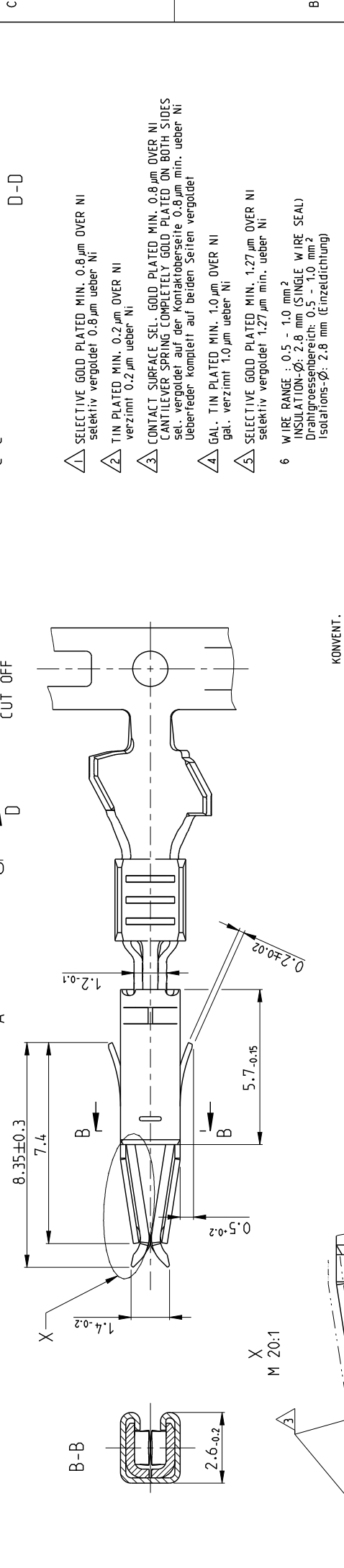
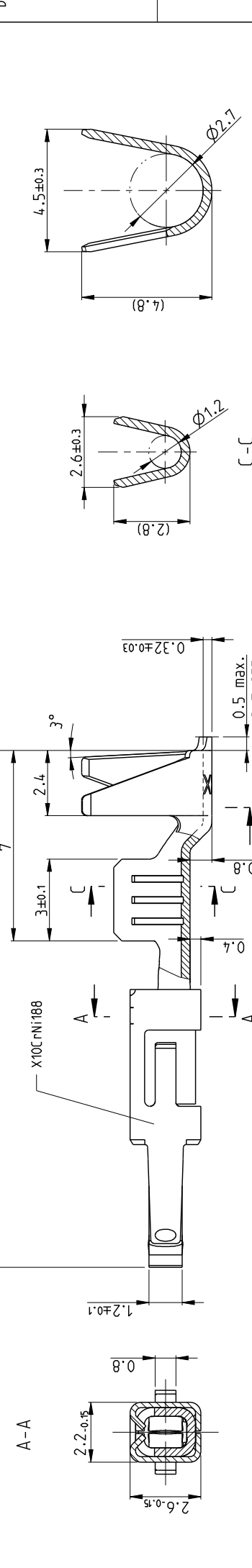


THIS DRAWING IS UNPUBLISHED. © COMPENIOT 2008		RELEASED FOR PUBLICATION 2008		3		2		1	
REVOLUTIONS		DESCRIPTION		DATE		DW		APVD	
P		LIV		DATE		DW		APVD	
N3		NEW VERSION OF GOLD CONTACTS PERMITTED.		18MAY2011		KIPS		Mbjr	
N4		OPTIONAL to note B TTD added. (area A3)		29JUN2011		KIPS		Mbjr	
N5		PRODUCT SPEC CORRECTED		23JUN2014		Ho.		Eder	
N6		ECR-15-012070		13AUG2015		JB/JH		BK	



THIS DRAWING IS A CONTROLLED DOCUMENT.		R. Hofer		05-JAN-89		TE Connectivity	
DIMENSIONS: mm		M. Nix		05-APR-89		STE	
TOLERANCES UNLESS OTHERWISE SPECIFIED:		M. Bleicher		25-JUN-08		MICRO TIMER 2 CONTACT WITH DOUBLE LOCKING LANE mit doppelter Rastfeder	
±0.2		±0.2		108-18055		RESTRICTED TO	
±0.1		±0.1		APPLICATION SPEC		SIZE CASE CODE DRAWING NO	
±0.05		±0.05		114-18081		A 2 00779 ©=962876	
±0.02		±0.02		WEIGHT		SCALE 10:1	
±0.01		±0.01		0.3 g		SHEET 1 of 1	
FINISH		Customer Drawing		REV		NG	
MATERIAL		-		-		-	
VERSION		SURFACE / Oberflaeche		MATERIAL		PART NO	
8		PRETIN / vorverzinkt		CuFe2		962876-7	
7		PRETIN / vorverzinkt		CuSn4		962876-6	
6		PRETIN / vorverzinkt		CuFe2		962876-5	
5		PRETIN / vorverzinkt		CuSn4		962876-3	
4		PRETIN / vorverzinkt		CuFe2		962876-2	
3		PRETIN / vorverzinkt		CuSn4		962876-1	
2		PRETIN / vorverzinkt		CuFe2		962876-7	
1		PRETIN / vorverzinkt		CuSn4		962876-6	

1 SELECTIVE GOLD PLATED MIN. 0.8 µm OVER NI
 selektiv vergoldet 0.8 µm ueber NI

2 TIN PLATED MIN. 0.2 µm OVER NI
 verzinkt 0.2 µm ueber NI

3 CONTACT SURFACE SEL. GOLD PLATED MIN. 0.8 µm OVER NI
 CANTILEVER SPRING COMPLETELY GOLD PLATED ON BOTH SIDES
 sel. vergoldet auf der Kontaktboerse 0.8 µm min. ueber NI
 Ueberfeder komplett auf beiden Seiten vergoldet

4 GAL. TIN PLATED MIN. 1.0 µm OVER NI
 gal. verzinkt 1.0 µm ueber NI

5 SELECTIVE GOLD PLATED MIN. 1.27 µm OVER NI
 selektiv vergoldet 1.27 µm min. ueber NI

6 WIRE RANGE : 0.5 - 1.0 mm²
 INSULATION-Ø: 2.8 mm (SINGLE WIRE SEAL)
 Drahtgrößenbereich: 0.5 - 1.0 mm²
 Isolations-Ø: 2.8 mm (Einzeldrhtung)