

Part number

# CZP 15 L



Surface mounting housing, IL-BRID series,  
with 1 lever, Pg16 cable entry, size "49.16"

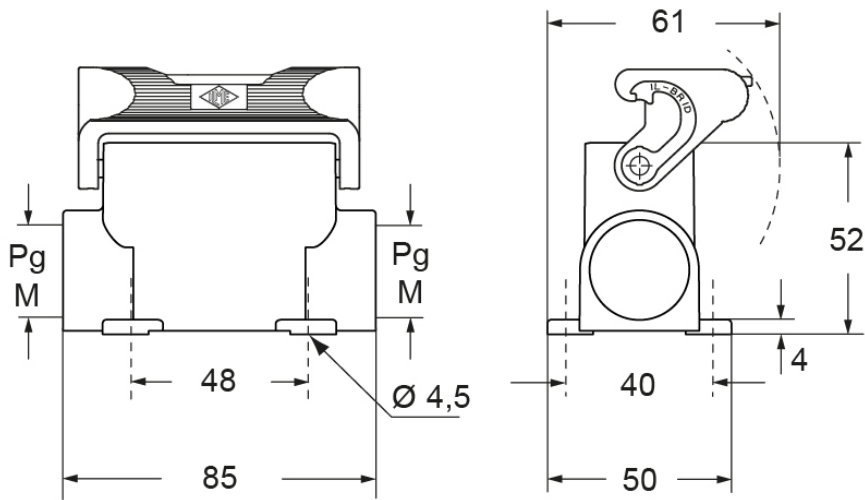
Product description		Material properties	
<b>Product type</b>	Surface mounting housing	<b>Colour</b>	RAL 7040 grey
<b>Series</b>	IL-BRID	<b>RoHs conformity</b>	Compliant
<b>Closing type</b>	With 1 lever	<b>China RoHs - EFUP</b>	E
<b>Size</b>	Size "49.16"	<b>REACH SVHC substances</b>	No
<b>Cable entry</b>	Pg16		
Technical data		Approvals / Standards	
<b>IP degree of protection</b>	IP66	<b>UL</b>	ECBT2
		<b>cUL</b>	ECBT8
Further technical details		General ordering information	
<b>Weight</b>	170,00 g	<b>EAN13 code</b>	8015747044639
<b>Operating temperature range (min, max)</b>	-40°C...+125°C	<b>Packaging Information</b>	
		<b>Packaging length</b>	140,00 mm
		<b>Packaging height</b>	120,00 mm
		<b>Packaging width</b>	260,00 mm
		<b>Packaging weight</b>	1,70 kg
		<b>Packaging volume</b>	4,37 dm <sup>3</sup>
		<b>Packaging description</b>	Carton box
		<b>Packaging quantity</b>	10 Pcs
		<b>Packaging EAN code</b>	8015747168885
		<b>Sub-packaging weight</b>	0,85 kg
		<b>Sub-packaging description</b>	Plastic packaging
		<b>Sub-packaging quantity</b>	5 Pcs
		<b>Sub-packaging EAN barcode</b>	8015747171953

Part number

# CZP 15 L



Catalogue drawings



## Notes

Dimensions shown in mm are not binding and may be changed without notice.