

Part number

# CX 3.0 VC



Female pneumatic contact, with closing valve,  
for tubes with internal diameter 3 mm

#### Product description

<b>Product type</b>	Pneumatic contact
<b>Gender</b>	Female
<b>Specification</b>	With closing valve For tubes with internal diameter 3 mm

#### Further technical details

<b>Weight</b>	0,65 g
<b>Operating temperature range (min, max)</b>	-40°C ... +125°C

#### Material properties

<b>Main material</b>	Polyamide (PA)
<b>RoHs conformity</b>	Compliant
<b>China RoHs - EFUP</b>	E
<b>REACH SVHC substances</b>	No

#### General ordering information

<b>EAN13 code</b>	8015747042123
<b>eCl@ss 8.1</b>	27440204
<b>ETIM 7.0</b>	EC000796

#### Packaging Information

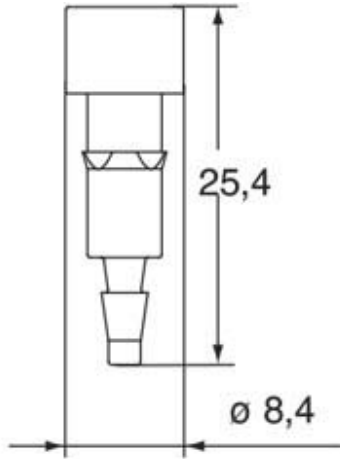
<b>Sub-packaging description</b>	Plastic bag
<b>Sub-packaging quantity</b>	3 Pcs
<b>Sub-packaging EAN barcode</b>	8015747042130

Part number

# CX 3.0 VC



Catalogue drawings



---

## Notes

Dimensions shown in mm are not binding and may be changed without notice.

---