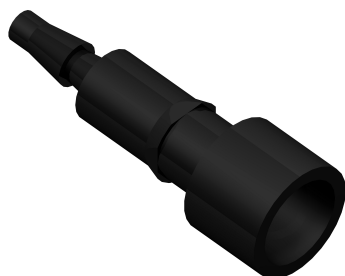


Part number

CX 3.0 PF



Female pneumatic contact, without closing valve, for tubes with internal diameter 3 mm

Product description

Product type	Pneumatic contact
Gender	Female
Specification	Without closing valve For tubes with internal diameter 3 mm

Further technical details

Weight	0,46 g
Operating temperature range (min, max)	-40°C ... +125°C

Material properties

Main material	Polyamide (PA)
RoHs conformity	Compliant
China RoHs - EFUP	E
REACH SVHC substances	No

General ordering information

EAN13 code	8015747042086
eCl@ss 8.1	27440204
ETIM 7.0	EC000796

Packaging Information

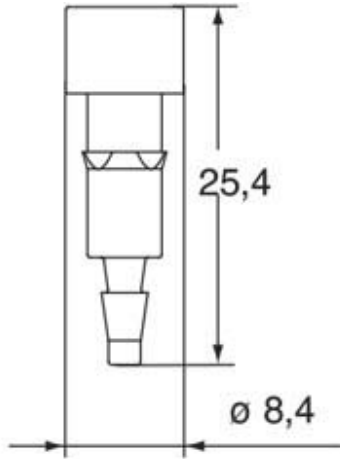
Sub-packaging length	50,00 mm
Sub-packaging height	44,00 mm
Sub-packaging width	50,00 mm
Sub-packaging volume	0,11 dm ³
Sub-packaging description	Plastic box
Sub-packaging quantity	12 Pcs
Sub-packaging EAN barcode	8015747042093

Part number

CX 3.0 PF



Catalogue drawings



Notes

Dimensions shown in mm are not binding and may be changed without notice.
