

Part number

CAV 10 G



Hood, C-TYPE series, with 2 levers, Pg21 top cable entry, size "57.27", high construction

Product description

Product type	Hood
Series	C-TYPE
Closing type	With 2 levers
Size	Size "57.27"
Cable entry	Top cable entry Pg21
Specification	High construction

Technical data

IP degree of protection	IP66 (and IP69 DIN 40050 - 9)
--------------------------------	-------------------------------

Further technical details

Weight	316,00 g
Operating temperature range (min, max)	-40°C...+125°C

Material properties

Colour	RAL 7040 grey
---------------	---------------

Approvals / Standards

Certifications	DNV-GL, BV
UL	ECBT2
cUL	ECBT8

General ordering information

EAN13 code	8015747009218
-------------------	---------------

Packaging Information

Packaging length	240,00 mm
Packaging height	120,00 mm
Packaging width	355,00 mm
Packaging weight	3,44 kg
Packaging volume	10,22 dm ³
Packaging description	Carton box
Packaging quantity	10 Pcs
Packaging EAN code	8015747225977
Sub-packaging weight	1,72 kg
Sub-packaging description	Plastic packaging
Sub-packaging quantity	5 Pcs
Sub-packaging EAN barcode	8015747009225

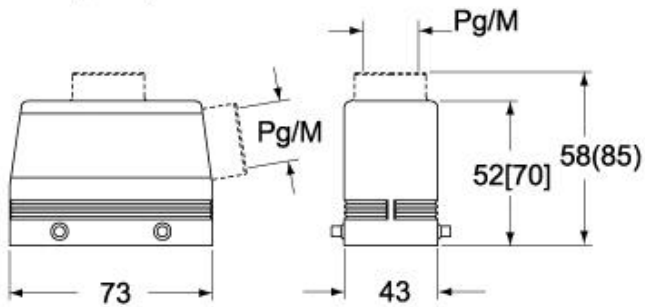
Part number

CAV 10 G

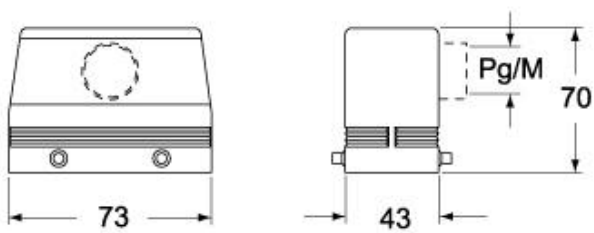


Catalogue drawings

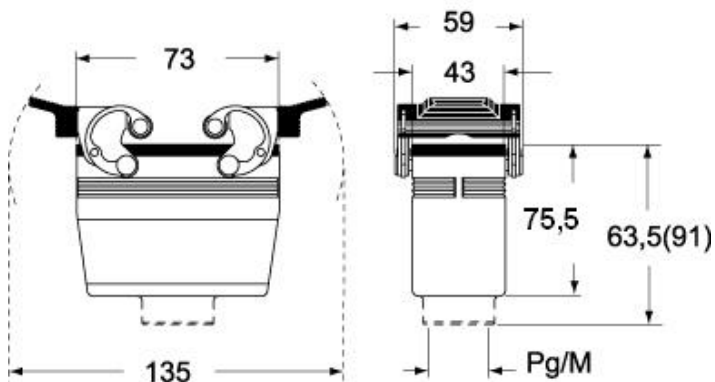
**CHO [CAO] CHV (CAV) - MHO [MAO]
MHV (MAV)**



CAF - MAF/MFF



CHV G (CAV G) - MHV G (MAV G) - [MFV G]



Notes

Dimensions shown in mm are not binding and may be changed without notice.