

Part number

CZAP 25LS221



Surface mounting housing, IL-BRID series, with 1 lever, Pg21 x 2 cable entry, size "66.16", high construction, with metal cover

Product description

Product type	Surface mounting housing
Series	IL-BRID
Closing type	With 1 lever
Size	Size "66.16"
Cable entry	Pg21 x 2
Specification	High construction, with metal cover

Technical data

IP degree of protection	IP66
Further technical details	
Weight	240,00 g
Operating temperature range (min, max)	-40°C...+125°C

Material properties

Colour	RAL 7040 grey
---------------	---------------

Approvals / Standards

UL	ECBT2
cUL	ECBT8

General ordering information

EAN13 code	8015747043410
-------------------	---------------

Packaging Information

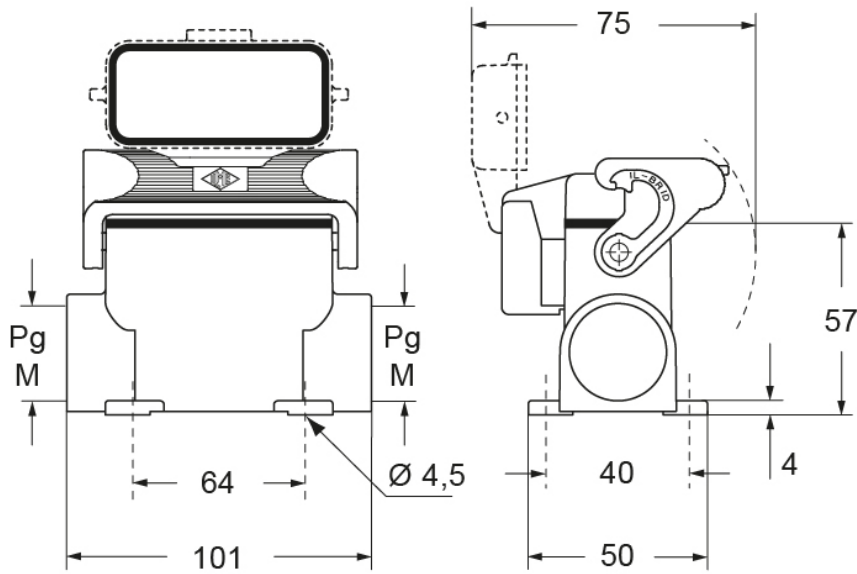
Packaging length	200,00 mm
Packaging height	100,00 mm
Packaging width	330,00 mm
Packaging weight	2,70 kg
Packaging volume	6,60 dm ³
Packaging description	Carton box
Packaging quantity	10 Pcs
Packaging EAN code	8015747043427

Part number

CZAP 25LS221



Catalogue drawings



Notes

Dimensions shown in mm are not binding and may be changed without notice.