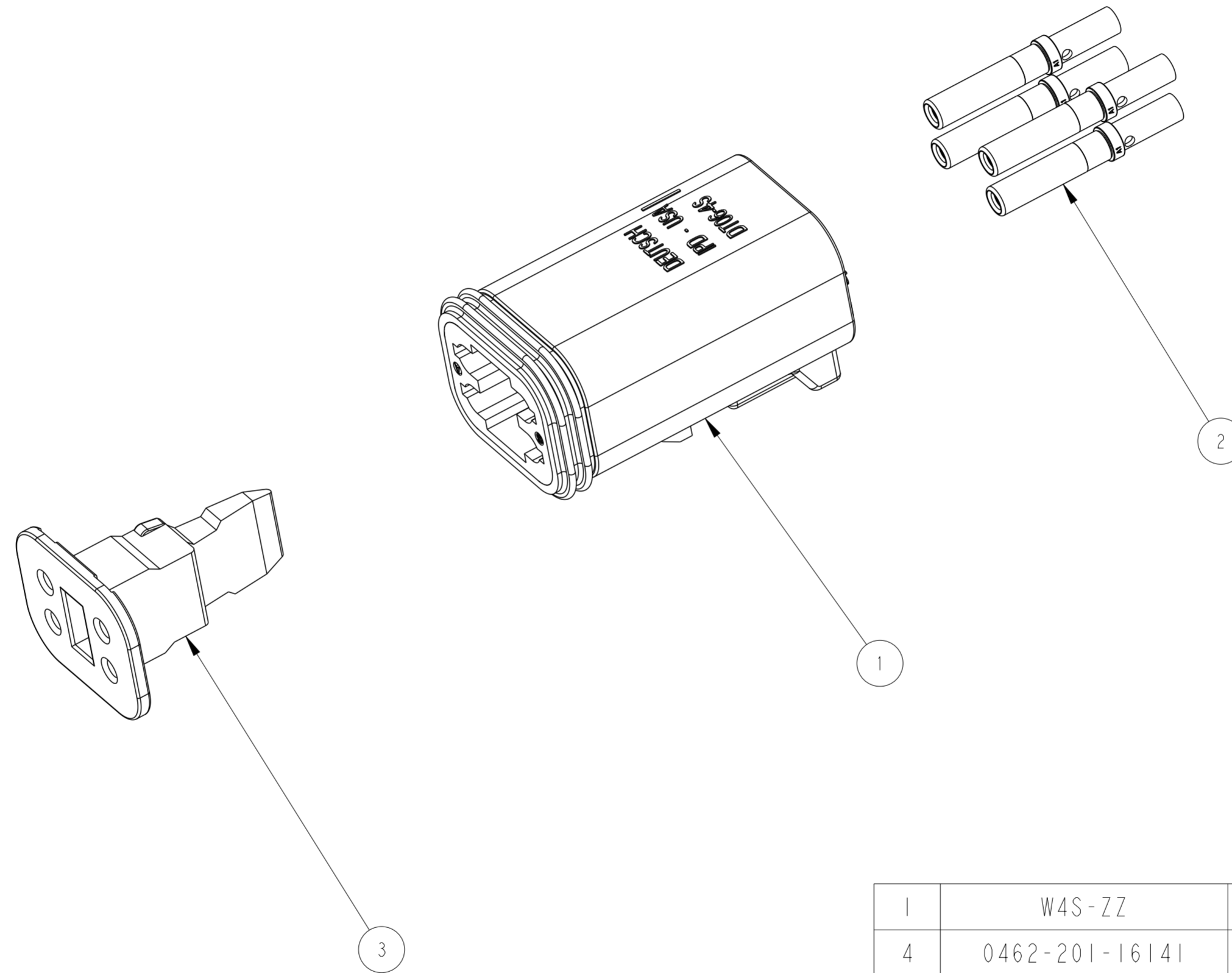


P	LTR	DESCRIPTION	DATE	DWN	APVD
	A	INITIAL RELEASE	13MAR2020	AP	IG



QTY	PART NUMBER	DESCRIPTION	ITEM NO
1	W4S-ZZ	WEDGELOCK	3
4	0462-201-16141	SOCKET, SOLID, SIZE 16, 16-20 AWG, NICKEL	2
1	DT06-4S	DT 4P PLUG ASSEMBLY	1
- < REVISION OF EACH ASSY NO. (WHEN BLANK, USE DRAWING REVISION)			
PARTS LIST			

3. APPLICATION SPECIFICATION: CONNECTOR: 114-151009
TERMINAL: 114-151004

2. PRODUCT SPECIFICATION: CONNECTOR: 108-151009
TERMINAL: 108-151004

1. WEDGELOCK, TERMINALS AND PLUG ASSEMBLY ARE SHIPPED UNASSEMBLED IN THE SAME BAG.

NOTES:

THIS DRAWING IS A CONTROLLED DOCUMENT.		DWN A POLO 13MAR2020	STE TE Connectivity															
DIMENSIONS: INCHES		CHK I GRANICHAROVA 13MAR2020																
TOLERANCES UNLESS OTHERWISE SPECIFIED:		APVD I GRANICHAROVA 13MAR2020																
<table border="1"> <tr><td>0 PLC</td><td>±</td></tr> <tr><td>1 PLC</td><td>±</td></tr> <tr><td>2 PLC</td><td>±</td></tr> <tr><td>3 PLC</td><td>±.025</td></tr> <tr><td>4 PLC</td><td>±</td></tr> <tr><td>ANGLES</td><td>±</td></tr> <tr><td>FINISH</td><td>±</td></tr> </table>		0 PLC	±	1 PLC	±	2 PLC	±	3 PLC	±.025	4 PLC	±	ANGLES	±	FINISH	±	PRODUCT SPEC 2	NAME DT06-4S COMPLETE KIT W/ WEDGELOCK AND TERMINALS	
0 PLC	±																	
1 PLC	±																	
2 PLC	±																	
3 PLC	±.025																	
4 PLC	±																	
ANGLES	±																	
FINISH	±																	
MATERIAL		APPLICATION SPEC 3	SIZE A2	CAGE CODE 00779	DRAWING NO C-DT06-4S-COMPLETE	RESTRICTED TO -												
		WEIGHT 10.65	SCALE 5:2		SHEET 1 OF 1	REV A												
		CUSTOMER DRAWING																