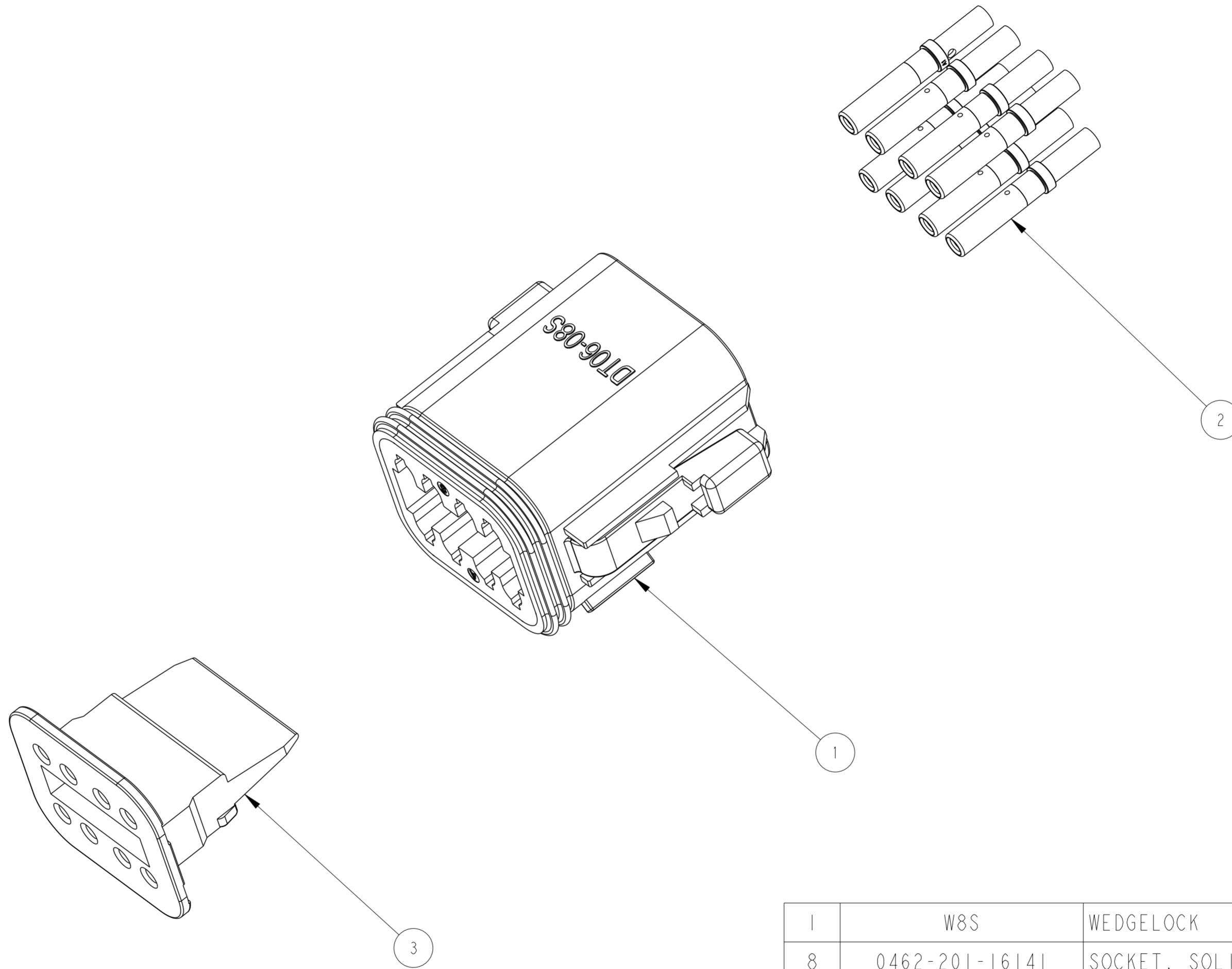


P	LTR	DESCRIPTION	DATE	DWN	APVD
	A	INITIAL RELEASE	11MAR2020	AP	IG



QTY	PART NUMBER	DESCRIPTION	ITEM NO
1	W8S	WEDGELOCK	3
8	0462-201-16141	SOCKET, SOLID, SIZE 16, 16-20 AWG, NICKEL	2
1	DT06-08SA	DT 8P PLUG ASSEMBLY, KEY A	1
PARTS LIST			
- < REVISION OF EACH ASSY NO. (WHEN BLANK, USE DRAWING REVISION)			

3 APPLICATION SPECIFICATION: CONNECTOR: 114-151009
TERMINAL: 114-151004

2 PRODUCT SPECIFICATION: CONNECTOR: 108-151009
TERMINAL: 108-151004

1. WEDGELOCK, TERMINALS AND PLUG ASSEMBLY ARE SHIPPED UNASSEMBLED IN THE SAME BAG.

NOTES:

THIS DRAWING IS A CONTROLLED DOCUMENT.		DWN A POLO 11MAR2020	TE Connectivity															
DIMENSIONS: INCHES		CHK I GRANTCHAROVA 11MAR2020																
TOLERANCES UNLESS OTHERWISE SPECIFIED:		APVD I GRANTCHAROVA 11MAR2020	NAME DT06-08SA COMPLETE KIT W/ WEDGELOCK AND TERMINALS															
<table border="0"> <tr> <td>0 PLC</td> <td>±</td> </tr> <tr> <td>1 PLC</td> <td>±</td> </tr> <tr> <td>2 PLC</td> <td>±</td> </tr> <tr> <td>3 PLC</td> <td>±.025</td> </tr> <tr> <td>4 PLC</td> <td>±</td> </tr> <tr> <td>ANGLES</td> <td>±</td> </tr> <tr> <td>FINISH</td> <td>±</td> </tr> </table>		0 PLC	±	1 PLC	±	2 PLC	±	3 PLC	±.025	4 PLC	±	ANGLES	±	FINISH	±	PRODUCT SPEC 2	RESTRICTED TO -	
0 PLC	±																	
1 PLC	±																	
2 PLC	±																	
3 PLC	±.025																	
4 PLC	±																	
ANGLES	±																	
FINISH	±																	
MATERIAL		APPLICATION SPEC 3	SIZE A2	CAGE CODE 00779														
		WEIGHT 19.66	DRAWING NO C-DT06-08SA-COMPLETE															
		CUSTOMER DRAWING	SCALE 5:2	SHEET 1 OF 1														
			REV A															