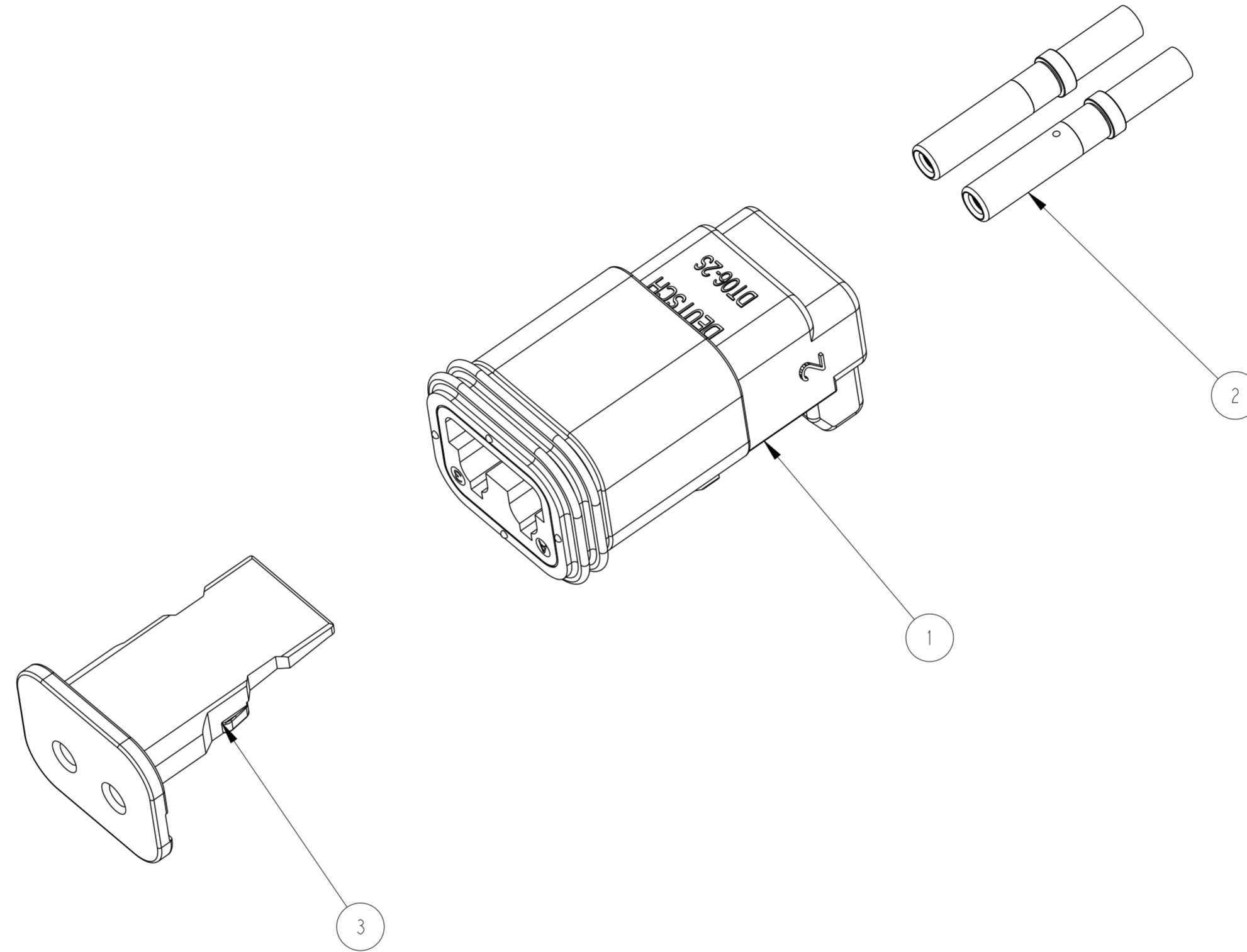


P	LTR	DESCRIPTION	DATE	DWN	APVD
	A	INITIAL RELEASE	12MAR2020	AP	IG



QTY	PART NUMBER	DESCRIPTION	ITEM NO
1	W2S	WEDGELOCK	3
2	0462-201-16141	SOCKET, SOLID, SIZE 16, 16-20 AWG, NICKEL	2
1	DT06-2S	DT 2P PLUG ASSEMBLY	1
-	< REVISION OF EACH ASSY NO. (WHEN BLANK, USE DRAWING REVISION)		
PARTS LIST			

3 APPLICATION SPECIFICATION: CONNECTOR: 114-151009
TERMINAL: 114-151004

2 PRODUCT SPECIFICATION: CONNECTOR: 108-151009
TERMINAL: 108-151004

1. WEDGELOCK, TERMINALS AND PLUG ASSEMBLY ARE SHIPPED UNASSEMBLED IN THE SAME BAG.

NOTES:

THIS DRAWING IS A CONTROLLED DOCUMENT.		DWN A POLO 12MAR2020	TE Connectivity		
DIMENSIONS: INCHES		CHK I GRANICHAROVA 12MAR2020			NAME DT06-2S COMPLETE KIT W/ WEDGELOCK AND TERMINALS
TOLERANCES UNLESS OTHERWISE SPECIFIED: 0 PLC ± 1 PLC ± 2 PLC ± 3 PLC ±.025 4 PLC ± ANGLES ± FINISH		APVD I GRANICHAROVA 12MAR2020			
MATERIAL		PRODUCT SPEC 2	APPLICATION SPEC 3	RESTRICTED TO -	
		WEIGHT 6.31	SIZE A2	CAGE CODE 00779	DRAWING NO G-DT06-2S-COMPLETE
		CUSTOMER DRAWING	SCALE 3:1	SHEET 1 OF 1	REV A