

Part number

CHV 24 L



Hood, C-TYPE series, with 2 pegs, Pg21 top cable entry, size "104.27"

Product description

Product type	hood
Series	C-TYPE
Closing type	with 2 pegs
Size	size "104.27"
Cable entry	top cable entry Pg21

Technical data

IP degree of protection	IP66 (and IP69 DIN 40050 - 9)
--------------------------------	-------------------------------

Further technical details

Weight	182,50 g
Operating temperature range (min, max)	-40°C...+125°C

Material properties

Colour	RAL 7040 grey
---------------	---------------

Approvals / Standards

Certifications	DNV-GL, BV
UL	ECBT2
cUL	ECBT8

General ordering information

EAN13 code	8015747024730
-------------------	---------------

Packaging Information

Packaging length	255,00 mm
Packaging height	150,00 mm
Packaging width	180,00 mm
Packaging weight	1,96 kg
Packaging volume	6,89 dm ³
Packaging description	Carton box
Packaging quantity	10 Pcs
Packaging EAN code	8015747024747
Sub-packaging weight	0,98 kg
Sub-packaging description	Plastic packaging
Sub-packaging quantity	5 Pcs
Sub-packaging EAN barcode	8015747024754

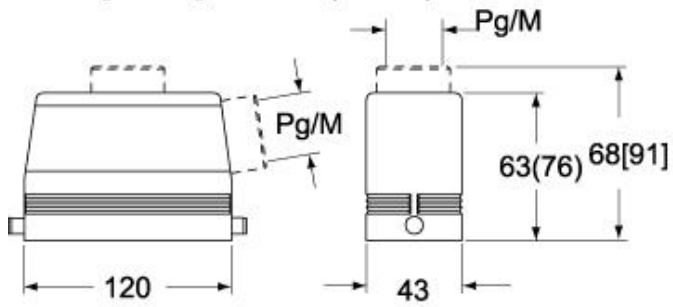
Part number

CHV 24 L

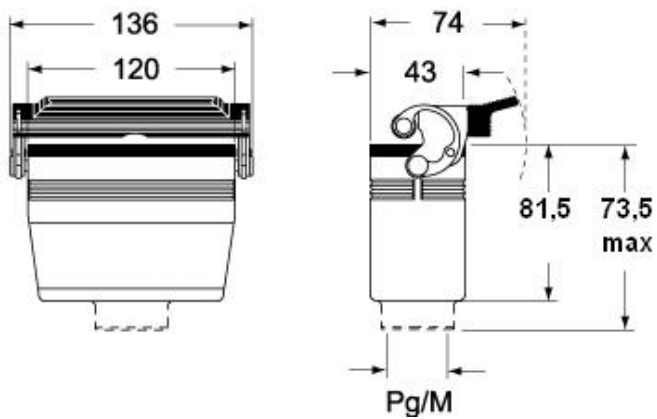


Catalogue drawings

CHO L (CAO L) - MHO L [MAO L]
CHV L [CAV L] - MHV L (MAV L)



CHV LG (CAV LG), MHV LG (MAV LG) [MFV LG]



Notes

Dimensions shown in mm are not binding and may be changed without notice.