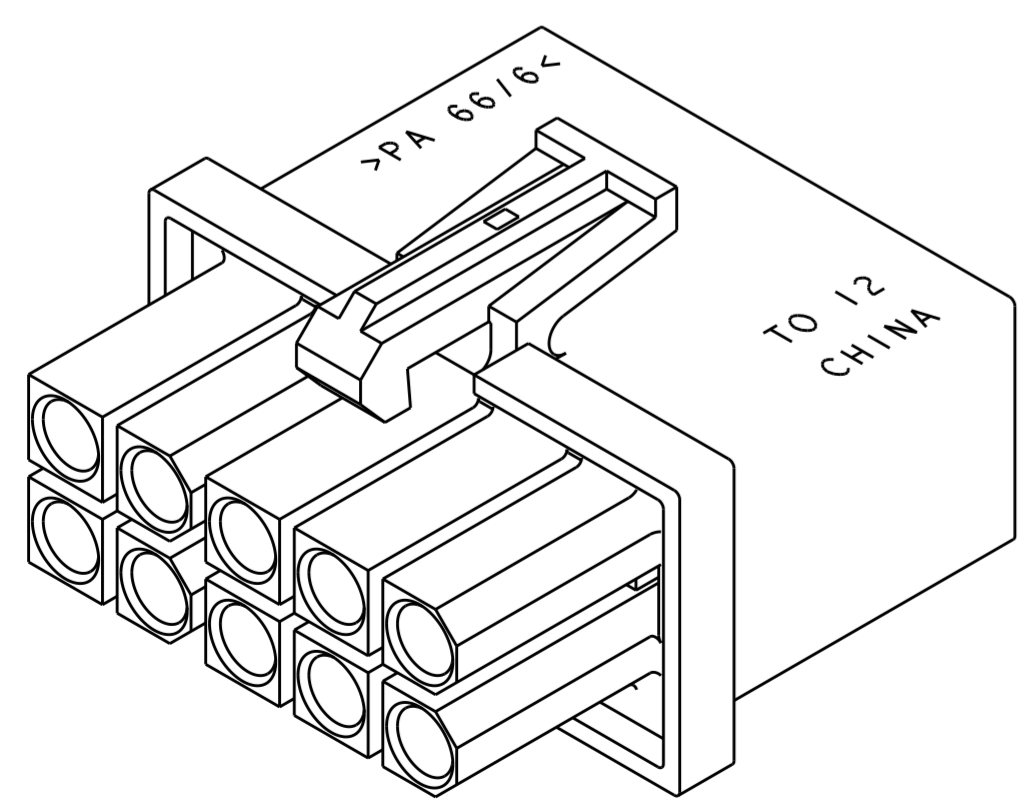
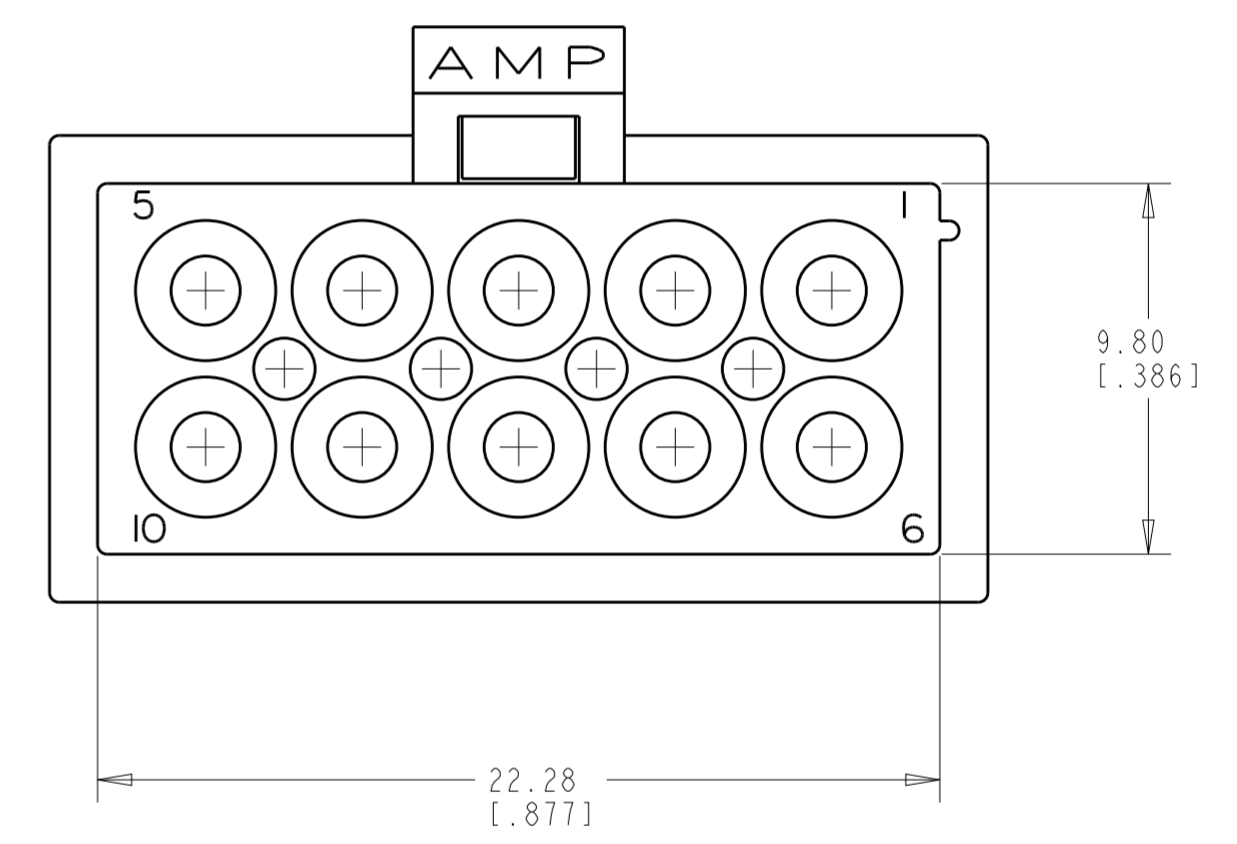
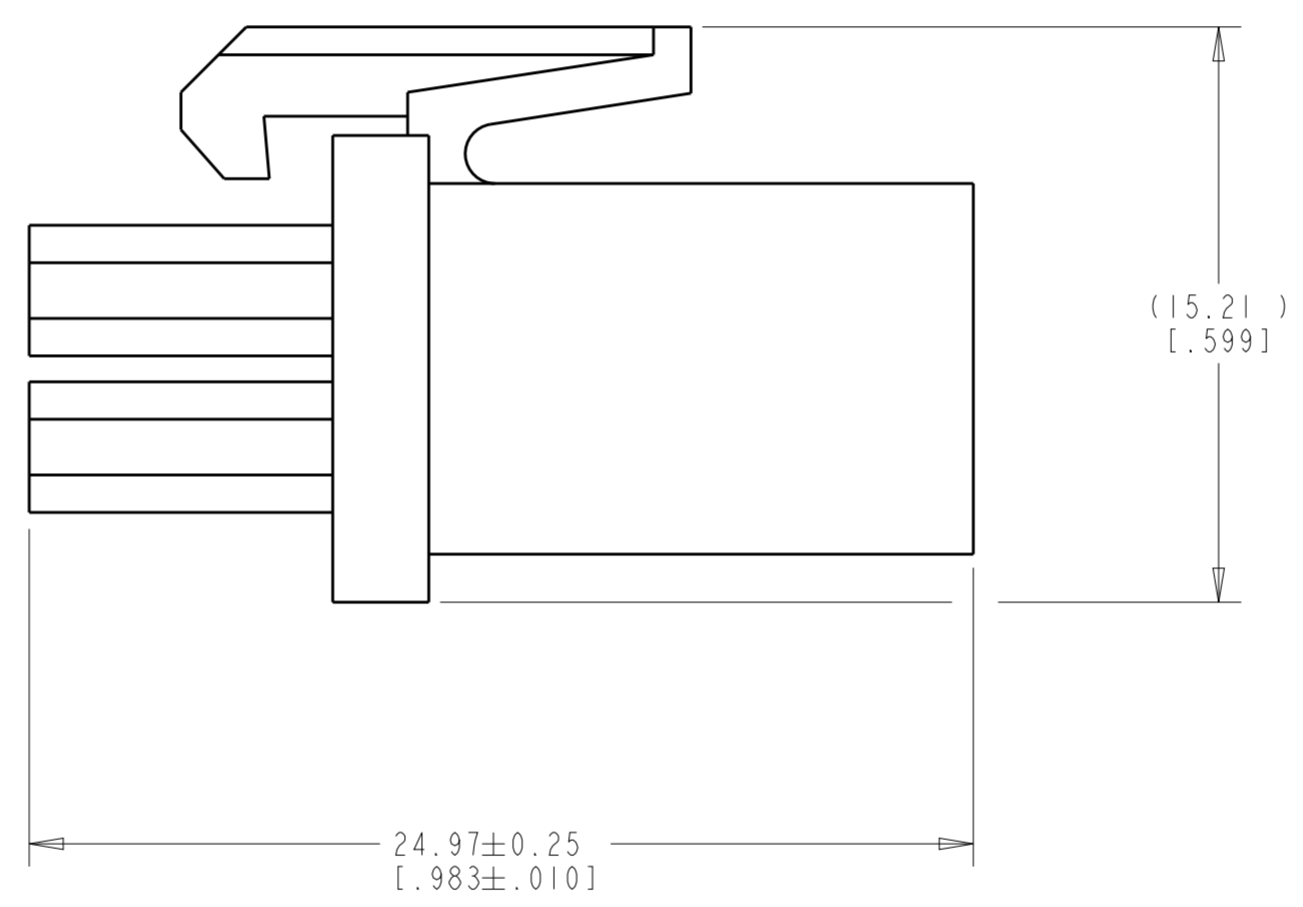
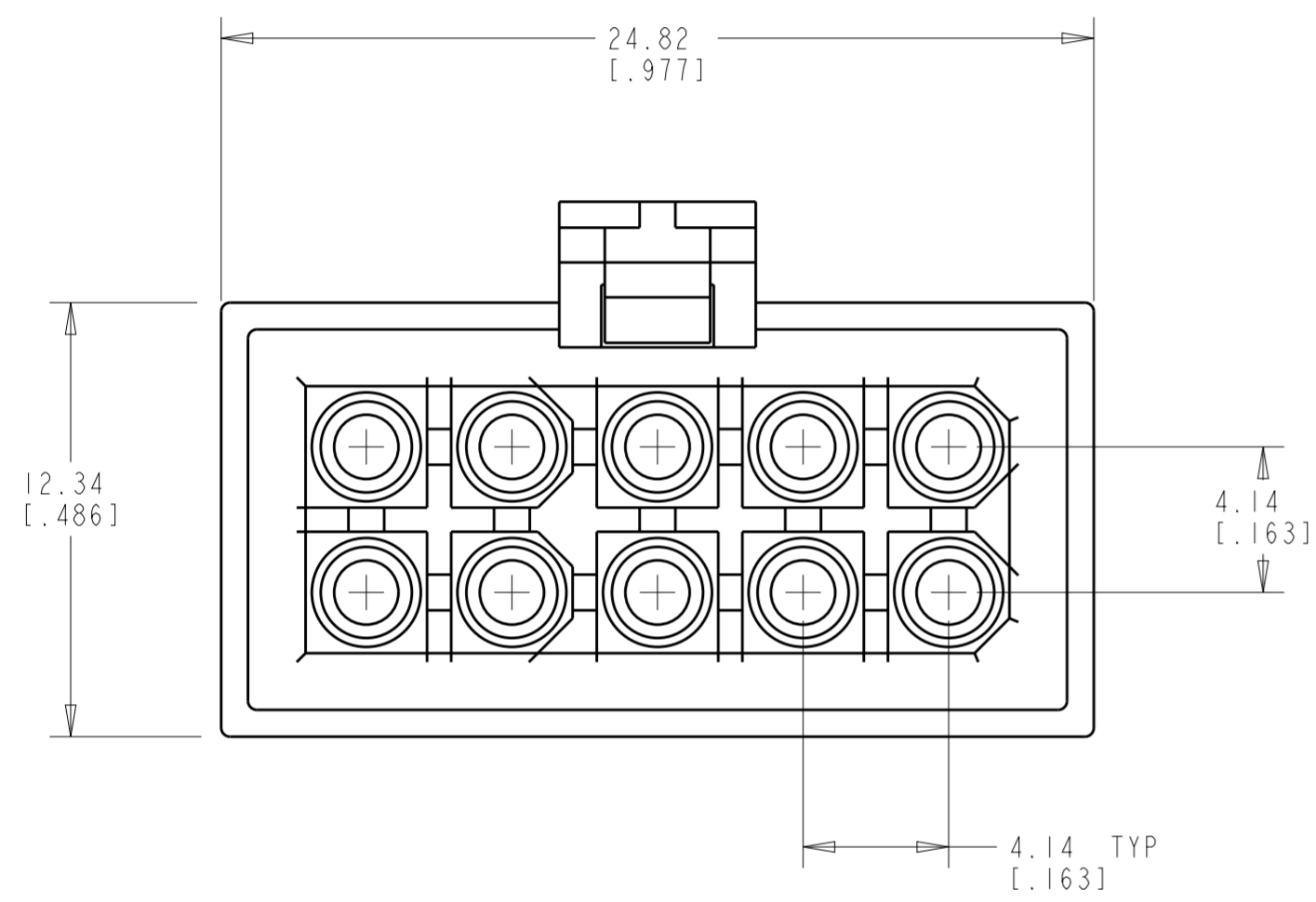


THIS DRAWING IS UNPUBLISHED. RELEASED FOR PUBLICATION 20
 © COPYRIGHT 20 BY - ALL RIGHTS RESERVED.

REVISIONS					
P	LTR	DESCRIPTION	DATE	DWN	APVD
C		REVISED PER ECR-12-017444	27NOV2017	BW	SG
CI		REVISED PER ECR-17-016920	25SEP2018	BDA	SG

1. DIMENSIONS IN BRACKETS ARE IN INCHES.



3 DIMENSIONAL MODEL
 SCALE 4:1

794781-1
 PART NUMBER

THIS DRAWING IS A CONTROLLED DOCUMENT.		DWN K. WHITAKER	10MAY2000	
DIMENSIONS: mm [INCHES]		CHK K. COBLE	10MAY2000	
TOLERANCES UNLESS OTHERWISE SPECIFIED:		APVD K. COBLE	10MAY2000	
0 PLC ±-	1 PLC ±-	PRODUCT SPEC	NAME PLUG, 10 CIRCUIT, MINI UNIVERSAL MATE-N-LOK(TM)	
2 PLC ±0.13 [0.005]	3 PLC ±-	APPLICATION SPEC	SIZE CAGE CODE DRAWING NO RESTRICTED TO	
4 PLC ±-	ANGLES ±0° 30'	114-13089	A2 00779 C-794781	
MATERIAL NYLON, UL94V-0, WHITE	FINISH -	WEIGHT -	SCALE 5:1 SHEET OF REV C1	
CUSTOMER DRAWING			794781-1	