

Part number

# CHO 06 L13



Hood, C-TYPE series, with 2 pegs, Pg13.5 side cable entry, size "44.27"

#### Product description

<b>Product type</b>	hood
<b>Series</b>	C-TYPE
<b>Closing type</b>	with 2 pegs
<b>Size</b>	size "44.27"
<b>Cable entry</b>	side cable entry Pg13.5

#### Technical data

<b>IP degree of protection</b>	IP66 (and IP69 DIN 40050 - 9)
--------------------------------	-------------------------------

#### Further technical details

<b>Weight</b>	103,50 g
<b>Operating temperature range (min, max)</b>	-40 °C...+125 °C

#### General ordering information

<b>EAN13 code</b>	8015747019606
-------------------	---------------

#### Packaging Information

<b>Packaging length</b>	225,00 mm
<b>Packaging height</b>	130,00 mm
<b>Packaging width</b>	150,00 mm
<b>Packaging weight</b>	2,20 kg
<b>Packaging volume</b>	4,39 dm <sup>3</sup>
<b>Packaging description</b>	Carton box
<b>Packaging quantity</b>	20 Pcs
<b>Packaging EAN code</b>	8015747019613
<b>Sub-packaging weight</b>	0,55 kg
<b>Sub-packaging description</b>	Plastic packaging
<b>Sub-packaging quantity</b>	5 Pcs
<b>Sub-packaging EAN barcode</b>	8015747019620

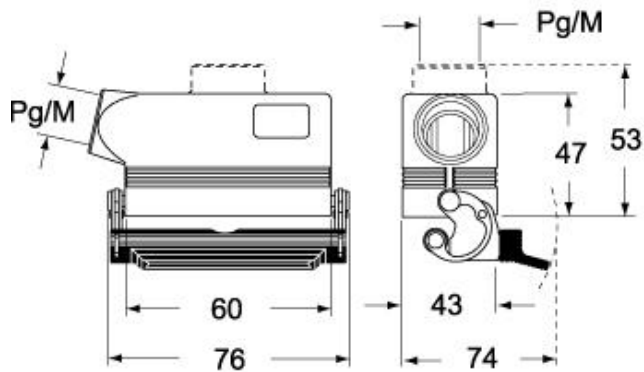
Part number

# CHO 06 L13

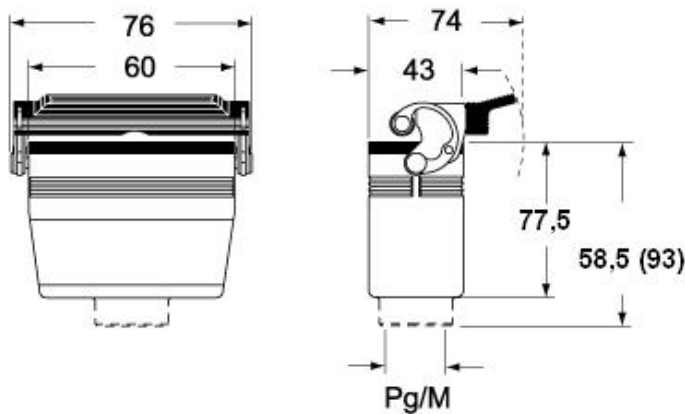


Catalogue drawings

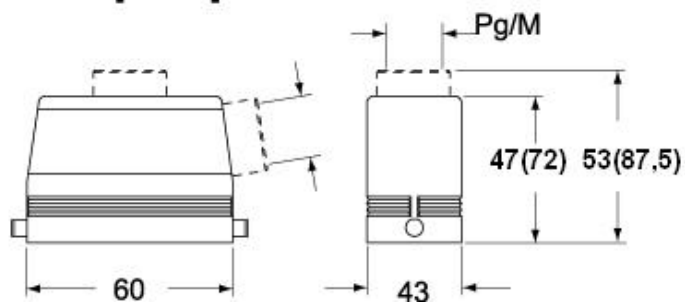
## CHO LX CHV LX - MHO LX MHV LX



## CHV LG (CAV LG), MHV LG (MAV LG) [MFV LG]



## CHO L (CAO L) - MHO (MAO/MFO/MFV L) MHV L [MAV L]



## Notes

Dimensions shown in mm are not binding and may be changed without notice.