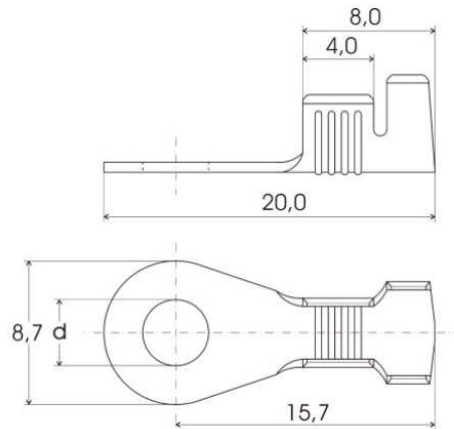


**TECHNICAL DATA SHEET**  
**STP-03 Rev.2 10/06/2010**  
**Page 1 of 2**



**EYELET TERMINAL**

CODE	HOLE DIAMETER	WIRE RANGE ( mmq )	∅ INSULATING ( mm )	MATERIAL THICK ( mm )	MATERIAL
C804/B.05.00.3	4,2	0,5-1,5	1,9-3,3	0.50	CuZn
C804/B.05.01.3	4,2	0,5-1,5	1,9-3,3	0.50	CuZn gal Sn
C805/B.05.00.3	5,2	0,5-1,5	1,9-3,3	0.50	CuZn
C805/B.05.01.3	5,2	0,5-1,5	1,9-3,3	0.50	CuZn gal Sn
C806/B.05.00.3	6,2	0,5-1,5	1,9-3,3	0.50	CuZn
C806/B.05.01.3	6,2	0,5-1,5	1,9-3,3	0.50	CuZn gal Sn

**TECHNICAL DATA SHEET**  
**STP-03 Rev.2 10/06/2010**

**Page 2 of 2**

**CRIMP TENSILE STRENGTH**

In accordance with our Internal Specifications I.O. 11/10  
NORME CEI EN 61210

Test Parameters:

Speed: 25 mm/min

Samples tested: n°24

Equipment used ALLURIS FMT- 300

<b>SECTION (mmq)</b>	<b>H (mm)</b>	<b>W (mm)</b>	<b>REQUIRED MINIMUM RETENTION FORCE (N)</b>	<b>MESURED MINIMUM RETENTION FORCE (N)</b>
0,5	1,75	2,85	56	98
0,75	1,87	2,86	84	134
1,0	2,00	2,88	108	196
1,5	2,12	2,90	150	272

Peak temperature °C

CuZn -30°C / +105° C  
CuZn gal Sn -30°C / +120°C

<b>ISSUE N°</b>	<b>DATE</b>	<b>TEST PERFORMED BY</b>	<b>Choked by</b>
1	15/06/2015	Tomaini	Sambri M.