



Part number

CHP 16 L



Brief description:

surface mounting housings with single lever, size "77.27", Pg21, metal version, IP66

Product description		Approvals / Standards	
Version	metal version	Quality mark	 (type:4/4X/12),  , EAC
Series	surface mounting housings with single lever	Conformity	CQC, CE
Product type	with 1 lever	General ordering information	
Family	CLASS enclosures	EAN13 code	8015747022170
Size	size "77.27"	Tariff number	85369095
Technical data		Packaging Information	
Material	metal	Packaging length	475,00 mm
IP degree of protection	IP66 (and IP69 DIN 40050 - 9)	Packaging height	180,00 mm
Cable entry	Pg21	Packaging width	175,00 mm
Further technical details		Packaging weight	3,15 kg
Weight	303,00 g	Packaging volume	14,96 dm ³
		Packaging description	Carton box
		Packaging quantity	10 Pcs
		Packaging EAN code	8015747022187
		Sub-packaging weight	1,58 kg
		Sub-packaging description	Plastic packaging
		Sub-packaging quantity	5 Pcs
		Sub-packaging EAN barcode	8015747022194

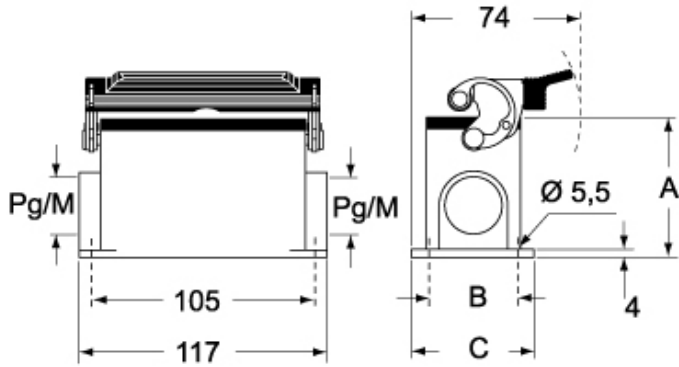
Part number

CHP 16 L

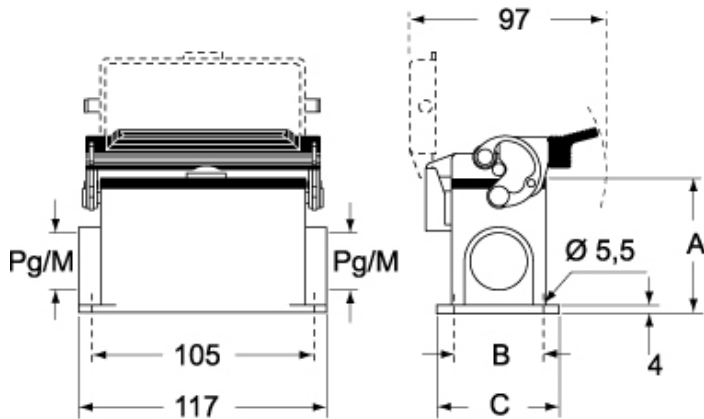


Catalogue drawings

CHP L CAP L - MHP L MAP L



CHP LS CAP LS - MHP LS MAP LS



	A
CHP L / MHP L	63
CAP L / MAP L	77
CHP LS / MHP LS	63
CAP LS / MAP LS	77