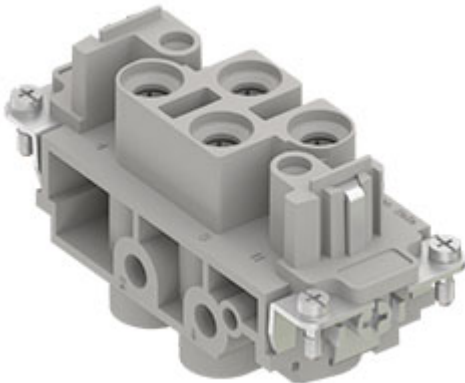




Part number
CXF 4/0



Brief description:

female insert, 4 poles + PE, screw terminal connection, 80A, 830V, size "77.27", CLASS inserts

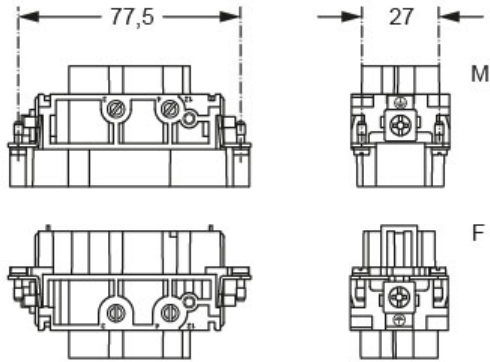
Product description		Approvals / Standards	
Model	female insert	Reference standard	EN 61984:2009-06
Version	screw terminal connections	Quality mark	 DNV-GL, EAC
Series	CX	Conformity	CQC, CE
Product type	with female contacts	General ordering information	
Family	CLASS inserts	EAN13 code	8015747042314
Size	size "77.27"	Tariff number	85369095
N. of poles	4 poles + 	Country of origin	Made in EU (IT)
Technical data		ETIM classification	EC000438
Current	80 A (A.C. and D.C.)	Packaging Information	
Voltage	830 V	Packaging length	245,00 mm
Rated impulse withstand voltage	8kV	Packaging height	165,00 mm
Pollution degree	3	Packaging width	215,00 mm
Wire cross-section	4,00 mm ² - 16,00 mm ²	Packaging weight	3,83 kg
AWG size	12 - 6	Packaging volume	8,69 dm ³
Operating temperature range (min, max)	-40°C ... +125°C	Packaging description	Carton box
Contact type	silver plated	Packaging quantity	30 Pcs
Mating cycles	≥ 500	Packaging EAN code	8015747191814
IP degree of protection	IP20 without enclosure; IP65/IP66/IP67/IP68 with enclosure	Sub-packaging weight	0,64 kg
Further technical details		Sub-packaging description	Carton
Characteristics according to EN 61984	80A 830V 8kV 3	Sub-packaging quantity	5 Pcs
Insulation resistance	≥ 10 GΩ	Sub-packaging EAN barcode	8015747042321
Contact resistance	≤ 0,3 mΩ		
Rated voltage according to UL/CSA	600V		
UL 94 flammability rating	V-0		
Weight	113,60 g		

Part number

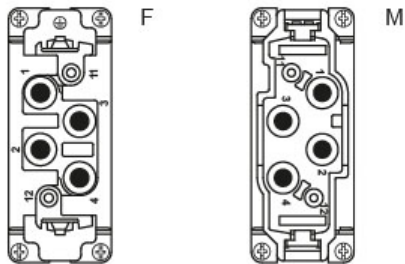
CXF 4/0



Catalogue drawings



contacts side (front view)



Derating curves

CX 4/0 poles connector inserts
Maximum current load derating diagram

