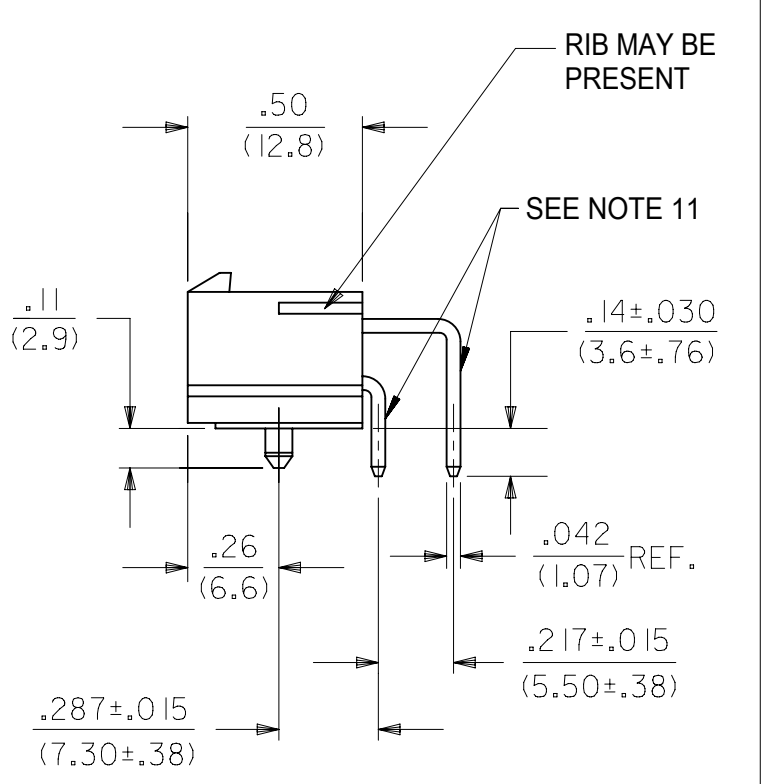
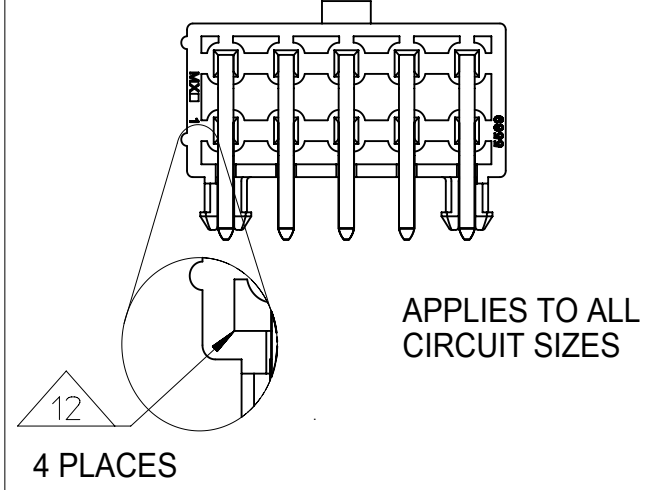


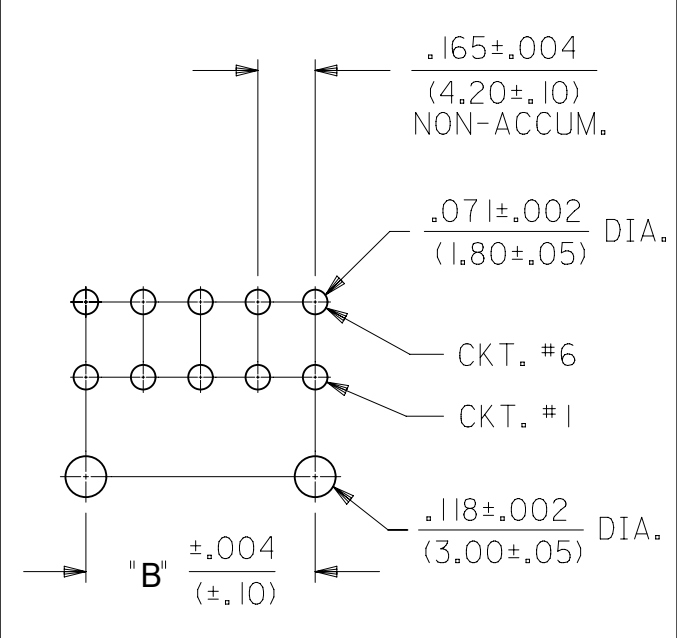
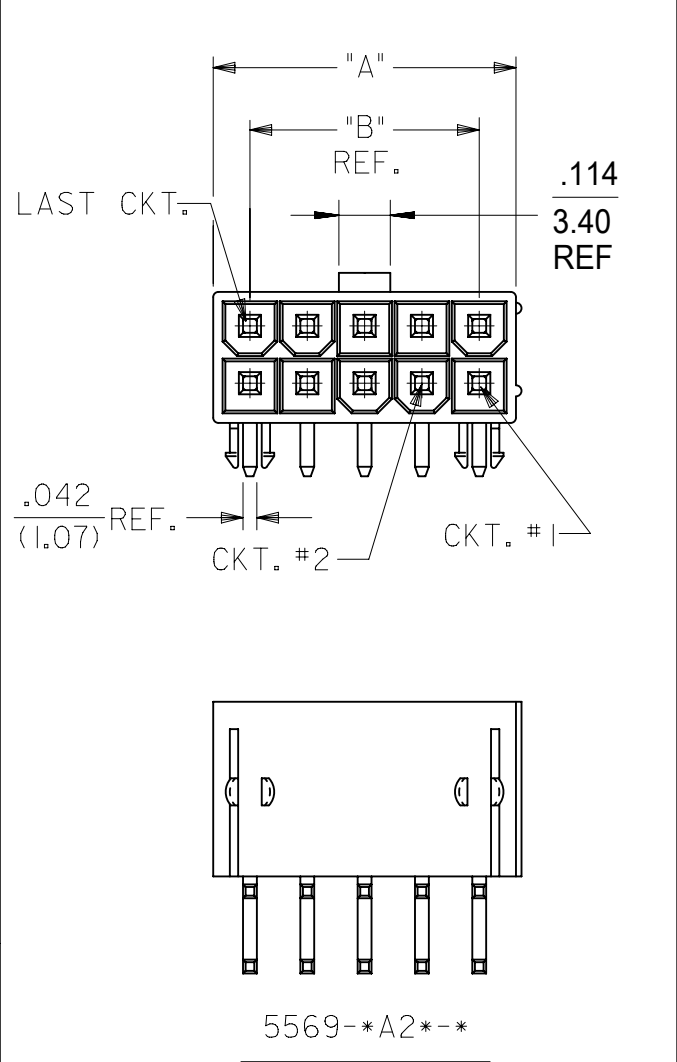
| CIRCUIT SIZE | DIM. "A" | DIM. "B" |
|--------------|----------------|----------------|
| 6 | .54 (13.8) | .33 (8.4) |
| 8 | .71 (18.0) | .50 (12.6) |
| 10 | .87 (22.2) | .66 (16.8) |
| 12 | 1.04 (26.4) | .83 (21.0) |
| 14 | 1.20 (30.6) | .99 (25.2) |
| 16 | 1.37 (34.8) | 1.16 (29.4) |
| 18 | 1.54 (39.0) | 1.32 (33.6) |
| 20 | 1.70 (43.2) | 1.49 (37.8) |
| 22 | 1.87 (47.4) | 1.65 (42.0) |
| 24 | 2.03 (51.6) | 1.82 (46.2) |



DIMENSIONS TYPICAL FOR ALL CIRCUIT SIZES

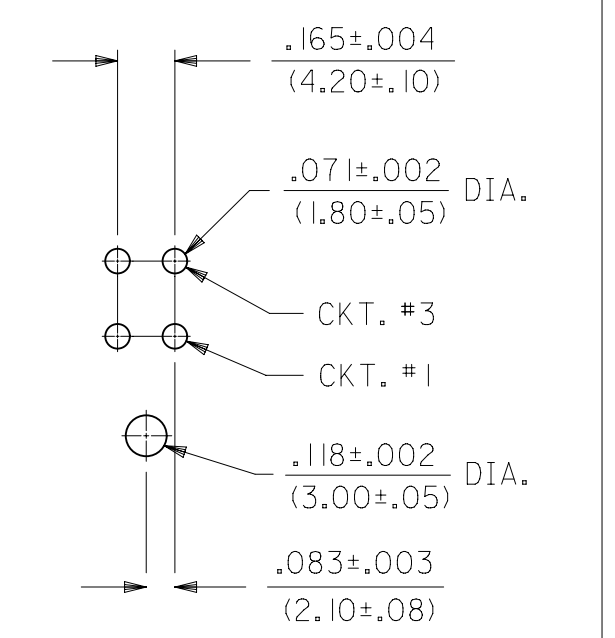
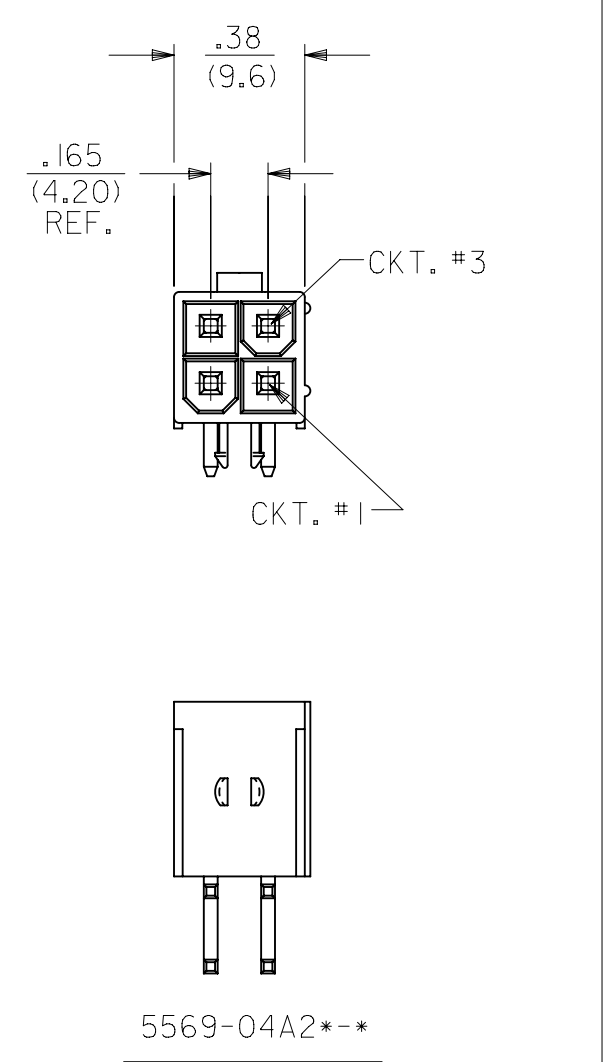


- NOTES:**
- 1) MATERIAL:
HOUSING:
"BLANK" = NYLON (PA66), LOW HALOGEN, UNFILLED, UL94V-2, COLOR: NATURAL
"BL" = NYLON (PA66), LOW HALOGEN, UNFILLED, UL94V-2, COLOR: BLACK
"210" = NYLON (PA66), LOW HALOGEN, UNFILLED, UL94V-0, COLOR: NATURAL
"400" = NYLON (PA66), LOW HALOGEN, UNFILLED, UL94V-0, COLOR: BLACK
TERMINAL:
BRASS ALLOY
- 2) FINISH (PLATING):
G, GS = .000030/(0.00076) MIN. SELECT GOLD OVER .000100/(0.00254) MIN. SELECT MATTE TIN OVER .000050/(0.00127) MIN. NICKEL OVERALL
GS2 = .000015/(0.00038) MIN. SELECT GOLD OVER .000100/(0.00254) MIN. SELECT MATTE TIN OVER .000050/(0.00127) MIN. NICKEL OVERALL
GS3 = .000050/(0.00127) MIN. SELECT GOLD OVER .000100/(0.00254) MIN. SELECT MATTE TIN OVER .000050/(0.00127) MIN. NICKEL OVERALL
BLANK, S, MS = .000100/(0.00254) MIN. MATTE TIN OVER .000050/(0.00127) MIN. NICKEL OVERALL
RM = .000060/(0.00152) MIN. REFLOWED MATTE TIN OVER .000050/(0.00127) MIN. NICKEL OVERALL
- 3) PRODUCT SPECIFICATION: PS-5556-001
- 4) PACKAGING:
"BLANK" = BULK PACKED PER PK-5569-002 (NOT RECOMMENDED DUE TO SHIPPING AND HANDLING DAMAGE).
"T" = TRAY PACKED PER PK-5569-003 (RECOMMENDED FOR NEW APPLICATIONS)
- 5) PART MATES WITH MINI-FIT JR. RECEPTACLE SERIES 5557.
- 6) MOUNTING OPTIONS:
1 = SCREW MOUNT (SEE SD-5569-NA* SERIES DRAWING)
2 = PEG MOUNT
- 7) DISCOLORATION IN THE BANDOLIER CARRIER AREA OF THE PIN IS INHERENT TO THE PLATING PROCESS AND IS DUE TO THE MASKING EFFECT OF THE CARRIER. THIS DISCOLORATION IS IN A NON-FUNCTIONAL AREA OF THE PIN AND WILL NOT AFFECT THE PERFORMANCE OF THE HEADER ASSEMBLY.
- 8) PART CONFORMS TO CLASS "B" REQUIREMENTS OF COSMETIC SPECIFICATION PS-45499-002.
- 9) CONNECTORS ARE NOT TO BE MATED AND UNMATED WHILE CIRCUITS ARE LIVE.
- 10) PARTS ARE NOT DESIGNED FOR CURRENT SHARING.
- 11) FORMING MARKS ON PINS ARE ACCEPTABLE.
- 12) CORNER CORE-OUTS ARE OPTIONAL AND MAY OR MAY NOT BE PRESENT.

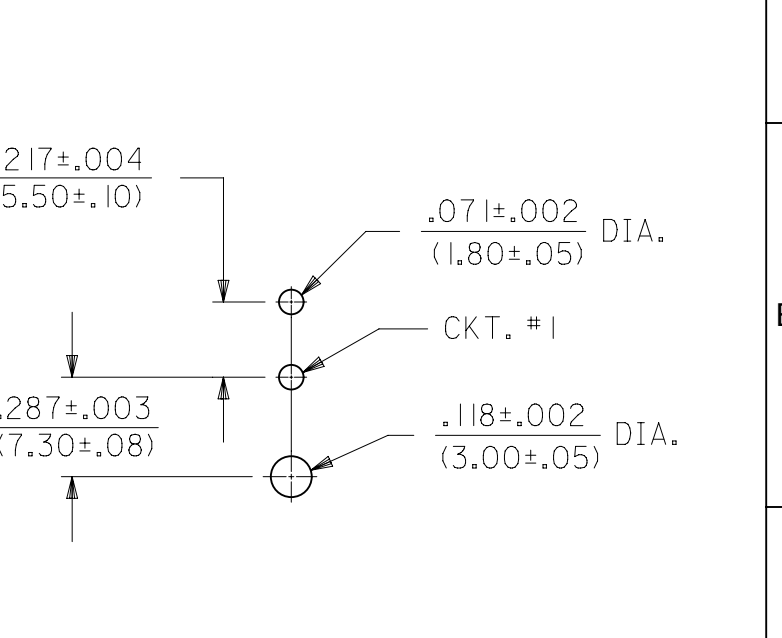
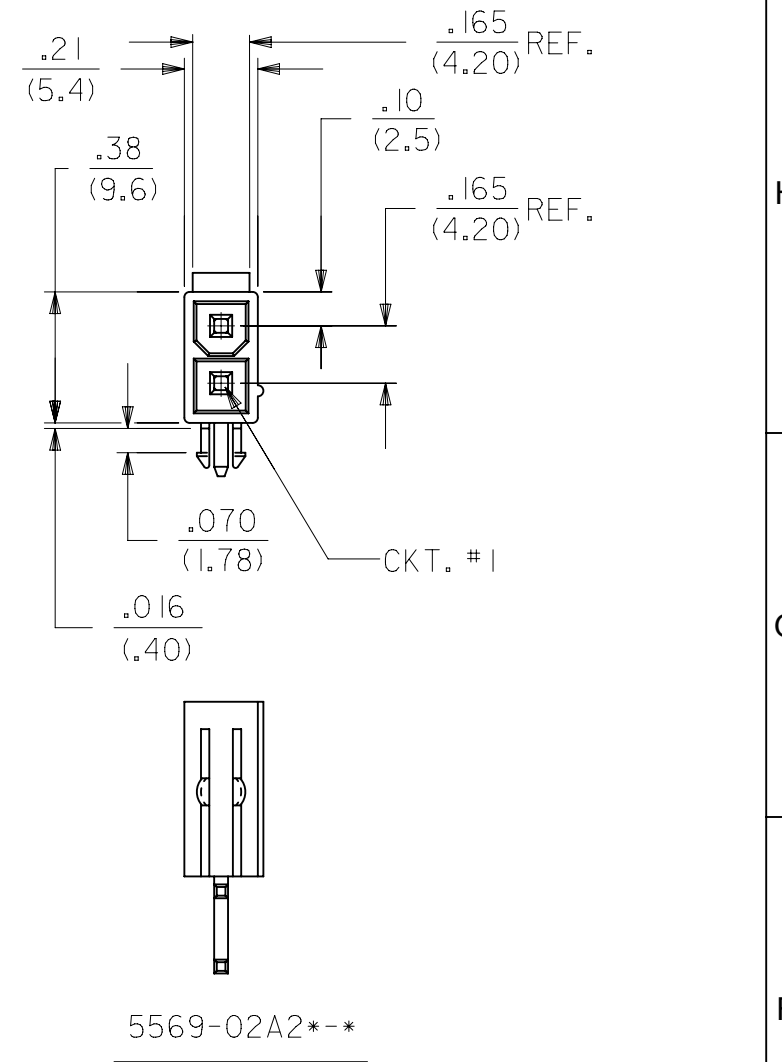


RECOMMENDED HOLE LAYOUT FOR .070/(1.78) MAX. THICK P.C. BOARD VIEWED FROM COMPONENT SIDE

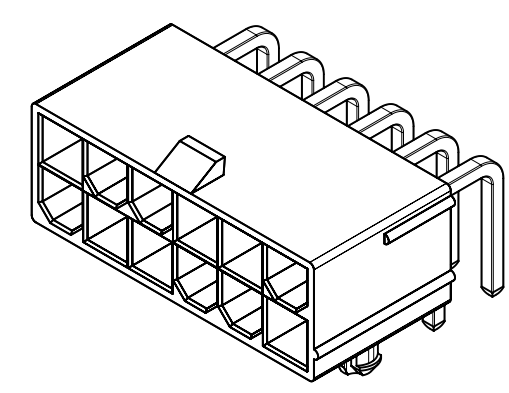
DIMENSIONS IN THIS VIEW ARE TYPICAL FOR CIRCUIT SIZES 6 THRU 24



RECOMMENDED HOLE LAYOUT FOR .070/(1.78) MAX. THICK P.C. BOARD VIEWED FROM COMPONENT SIDE



RECOMMENDED HOLE LAYOUT FOR .070/(1.78) MAX. THICK P.C. BOARD VIEWED FROM COMPONENT SIDE



| SYMBOLS | | | | | | | | | | THIS DRAWING CONTAINS INFORMATION THAT IS PROPRIETARY TO MOLEX ELECTRONIC TECHNOLOGIES, LLC AND SHOULD NOT BE USED WITHOUT WRITTEN PERMISSION | | | | | | | | | | | |
|---------|-------|-------|-------|-------|-------|-------|-------|-------|-------|---|---------|---------------------------------------|--|-----------|--|-----------------|--|----------|--|--------------|--|
| ▽ = 0 | ▽ = 0 | ▽ = 0 | ▽ = 0 | ▽ = 0 | ▽ = 0 | ▽ = 0 | ▽ = 0 | ▽ = 0 | ▽ = 0 | IN/MM | SCALE | CURRENT REV DESC: MIGRATE TO ECTR | | | | | | | | | |
| ▽ = 0 | ▽ = 0 | ▽ = 0 | ▽ = 0 | ▽ = 0 | ▽ = 0 | ▽ = 0 | ▽ = 0 | ▽ = 0 | ▽ = 0 | 4:1 | | GENERAL TOLERANCES (UNLESS SPECIFIED) | | | | | | | | | |
| ▽ = 0 | ▽ = 0 | ▽ = 0 | ▽ = 0 | ▽ = 0 | ▽ = 0 | ▽ = 0 | ▽ = 0 | ▽ = 0 | ▽ = 0 | MM | INCH | EC NO: 172489 | | | | | | | | | |
| ▽ = 0 | ▽ = 0 | ▽ = 0 | ▽ = 0 | ▽ = 0 | ▽ = 0 | ▽ = 0 | ▽ = 0 | ▽ = 0 | ▽ = 0 | ± | ± | DRWN: ANESSER 2018/01/26 | | | | | | | | | |
| ▽ = 0 | ▽ = 0 | ▽ = 0 | ▽ = 0 | ▽ = 0 | ▽ = 0 | ▽ = 0 | ▽ = 0 | ▽ = 0 | ▽ = 0 | ± | ± | CHK'D: JBELL 2018/02/20 | | | | | | | | | |
| ▽ = 0 | ▽ = 0 | ▽ = 0 | ▽ = 0 | ▽ = 0 | ▽ = 0 | ▽ = 0 | ▽ = 0 | ▽ = 0 | ▽ = 0 | ± | ± | APPR: FSMITH 2018/02/22 | | | | | | | | | |
| ▽ = 0 | ▽ = 0 | ▽ = 0 | ▽ = 0 | ▽ = 0 | ▽ = 0 | ▽ = 0 | ▽ = 0 | ▽ = 0 | ▽ = 0 | ± | ± | INITIAL REVISION: | | | | | | | | | |
| ▽ = 0 | ▽ = 0 | ▽ = 0 | ▽ = 0 | ▽ = 0 | ▽ = 0 | ▽ = 0 | ▽ = 0 | ▽ = 0 | ▽ = 0 | ± | ± | DRWN: RJF 1988/02/16 | | | | | | | | | |
| ▽ = 0 | ▽ = 0 | ▽ = 0 | ▽ = 0 | ▽ = 0 | ▽ = 0 | ▽ = 0 | ▽ = 0 | ▽ = 0 | ▽ = 0 | ± | ± | APPR: FSMITH 2016/12/20 | | | | | | | | | |
| ▽ = 0 | ▽ = 0 | ▽ = 0 | ▽ = 0 | ▽ = 0 | ▽ = 0 | ▽ = 0 | ▽ = 0 | ▽ = 0 | ▽ = 0 | ANGULAR TOL | ± 0.5 ° | THIRD ANGLE PROJECTION | | | | | | | | | |
| ▽ = 0 | ▽ = 0 | ▽ = 0 | ▽ = 0 | ▽ = 0 | ▽ = 0 | ▽ = 0 | ▽ = 0 | ▽ = 0 | ▽ = 0 | DRAFT WHERE APPLICABLE MUST REMAIN WITHIN DIMENSIONS | | DRAWING | | SERIES | | MATERIAL NUMBER | | CUSTOMER | | SHEET NUMBER | |
| ▽ = 0 | ▽ = 0 | ▽ = 0 | ▽ = 0 | ▽ = 0 | ▽ = 0 | ▽ = 0 | ▽ = 0 | ▽ = 0 | ▽ = 0 | C-SIZE | | 5569 | | SEE CHART | | GENERAL MARKET | | 1 OF 4 | | | |

| BULK PACKAGED PER PK-5569-002 | | | | | | | | | | | | | |
|---|-------------|-----------|---|----------------|---|---------------|------------|---|-----------|----------------|---|---|-------|
| THESE PART NUMBERS ARE NOT RECOMMENDED, FOR NEW APPLICATIONS USE THE TRAY PACKED PART NUMBERS | | | | | | | | | | | | | |
| PART NUMBER | ENG. NUMBER | CKT. SIZE | PLATING (NOTE 2) | HSG MAT'L | PART NUMBER | ENG. NUMBER | CKT. SIZE | PLATING (NOTE 2) | HSG MAT'L | | | | |
| 39-30-1020 | 5569-02A2 | 2 | MATTE TIN OVER NICKEL SEE NOTE 2 OPTION "BLANK" | 94V-2 | 39-30-0020 | 5569-02A2-210 | 2 | MATTE TIN OVER NICKEL SEE NOTE 2 OPTION "BLANK" | 94V-0 | | | | |
| 39-30-1040 | 5569-04A2 | 4 | | | 39-30-0040 | 5569-04A2-210 | 4 | | | | | | |
| 39-30-1060 | 5569-06A2 | 6 | | | 39-30-0060 | 5569-06A2-210 | 6 | | | | | | |
| 39-30-1080 | 5569-08A2 | 8 | | | 39-30-0080 | 5569-08A2-210 | 8 | | | | | | |
| 39-30-1100 | 5569-10A2 | 10 | | | 39-30-0100 | 5569-10A2-210 | 10 | | | | | | |
| 39-30-1120 | 5569-12A2 | 12 | | | 39-30-0120 | 5569-12A2-210 | 12 | | | | | | |
| 39-30-1140 | 5569-14A2 | 14 | | | 39-30-0140 | 5569-14A2-210 | 14 | | | | | | |
| 39-30-1160 | 5569-16A2 | 16 | | | 39-30-0160 | 5569-16A2-210 | 16 | | | | | | |
| 39-30-1180 | 5569-18A2 | 18 | | | 39-30-0180 | 5569-18A2-210 | 18 | | | | | | |
| 39-30-1200 | 5569-20A2 | 20 | | | 39-30-0200 | 5569-20A2-210 | 20 | | | | | | |
| 39-30-1220 | 5569-22A2 | 22 | | | 39-30-0220 | 5569-22A2-210 | 22 | | | | | | |
| 39-30-1240 | 5569-24A2 | 24 | | | 39-30-0240 | 5569-24A2-210 | 24 | | | | | | |
| 39-30-1021 | 5569-02A2G | 2 | | | 30 μ" SELECT GOLD SEE NOTE 2 OPTION "G" | 94V-2 | 39-30-1022 | | | 5569-02A2G-210 | 2 | 30 μ" SELECT GOLD SEE NOTE 2 OPTION "G" | 94V-0 |
| 39-30-1041 | 5569-04A2G | 4 | | | | | 39-30-1042 | | | 5569-04A2G-210 | 4 | | |
| 39-30-1061 | 5569-06A2G | 6 | 39-30-1062 | 5569-06A2G-210 | | | 6 | | | | | | |
| 39-30-1081 | 5569-08A2G | 8 | 39-30-1082 | 5569-08A2G-210 | | | 8 | | | | | | |
| 39-30-1101 | 5569-10A2G | 10 | 39-30-1102 | 5569-10A2G-210 | | | 10 | | | | | | |
| 39-30-1121 | 5569-12A2G | 12 | 39-30-1122 | 5569-12A2G-210 | | | 12 | | | | | | |
| 39-30-1141 | 5569-14A2G | 14 | 39-30-1142 | 5569-14A2G-210 | | | 14 | | | | | | |
| 39-30-1161 | 5569-16A2G | 16 | 39-30-1162 | 5569-16A2G-210 | | | 16 | | | | | | |
| 39-30-1181 | 5569-18A2G | 18 | 39-30-1182 | 5569-18A2G-210 | | | 18 | | | | | | |
| 39-30-1201 | 5569-20A2G | 20 | 39-30-1202 | 5569-20A2G-210 | | | 20 | | | | | | |
| NOT ASSIGNED | 5569-22A2G | 22 | 39-30-1222 | 5569-22A2G-210 | | | 22 | | | | | | |
| 39-30-1241 | 5569-24A2G | 24 | 39-30-1242 | 5569-24A2G-210 | | | 24 | | | | | | |


| | | | | | | | | | | | | | | |
|--|---|----------------|------------------------|--------------|---|------|------------|---------------|--------------------------------|--|---------------|--|------------|--|
| SYMBOLS | THIS DRAWING CONTAINS INFORMATION THAT IS PROPRIETARY TO MOLEX ELECTRONIC TECHNOLOGIES, LLC AND SHOULD NOT BE USED WITHOUT WRITTEN PERMISSION | | | | | | | | | | | | | |
| | DIMENSION UNITS | | SCALE | | CURRENT REV DESC: MIGRATE TO ECTR | | | | | | | | | |
| | IN/MM | | 1:1 | | molex MINI-FIT JR RIGHT ANGLE HEADER ASSEMBLIES WITH MOUNTING PEGS PRODUCT CUSTOMER DRAWING | | | | | | | | | |
| | GENERAL TOLERANCES (UNLESS SPECIFIED) | | | | | | | | | | EC NO: 172489 | | 2018/01/26 | |
| | 4 PLACES ± | | ± | | | | | | | | DRWN: ANESSER | | 2018/02/20 | |
| | 3 PLACES ± | | ± 0.01 | | CHK'D: JBELL | | 2018/02/20 | | | | | | | |
| | 2 PLACES ± | | ± 0.25 ± 0.015 | | APPR: FSMITH | | 2018/02/22 | | | | | | | |
| | 1 PLACE ± | | ± 0.38 ± | | INITIAL REVISION: | | | | DOCUMENT NUMBER | | | | | |
| | 0 PLACES ± | | ± | | DRWN: RJF | | 1988/02/16 | | 55690002-SD | | | | | |
| | ANGULAR TOL ± 0.5 ° | | THIRD ANGLE PROJECTION | | DRAWING | | SERIES | | DOC TYPE DOC PART REVISION | | | | | |
| DRAFT WHERE APPLICABLE MUST REMAIN WITHIN DIMENSIONS | | | | C-SIZE | | 5569 | | PSD 000 A | | | | | | |
| MATERIAL NUMBER | | CUSTOMER | | SHEET NUMBER | | | | | | | | | | |
| SEE CHART | | GENERAL MARKET | | 2 OF 4 | | | | | | | | | | |

| | | | | |
|-----------------|----|--------------|------------|----------|
| DOCUMENT STATUS | P1 | RELEASE DATE | 2018/02/22 | 21:31:14 |
|-----------------|----|--------------|------------|----------|

THIS DRAWING REPLACES DRAWING SDA-5569-NA2*~*

TRAY PACKAGED PER PK-5569-003

| PART NUMBER | ENG. NUMBER | CKT. SIZE | PLATING (NOTE 2) | HSG MAT'L | PART NUMBER | ENG. NUMBER | CKT. SIZE | PLATING (NOTE 2) | HSG MAT'L |
|-------------|--------------------|-----------|---|-------------|-------------|--------------------|-----------|---|----------------|
| 26-01-3127 | 5569-02A2GS2-210-T | 2 | 15 μ" SELECT GOLD SEE NOTE 2 OPTION "GS2" | 94V-0 | 46999-0013 | 5569-02A2S-400-T | 2 | MATTE TIN OVER NICKEL SEE NOTE 2 OPTION "S" | BLACK 94V-0 |
| 26-01-3128 | 5569-04A2GS2-210-T | 4 | | | 46999-0014 | 5569-04A2S-400-T | 4 | | |
| NOT TOOLED | 5569-06A2GS2-210-T | 6 | | | 46999-0015 | 5569-06A2S-400-T | 6 | | |
| NOT TOOLED | 5569-08A2GS2-210-T | 8 | | | 46999-0016 | 5569-08A2S-400-T | 8 | | |
| NOT TOOLED | 5569-10A2GS2-210-T | 10 | | | 46999-0017 | 5569-10A2S-400-T | 10 | | |
| NOT TOOLED | 5569-12A2GS2-210-T | 12 | | | 46999-0018 | 5569-12A2S-400-T | 12 | | |
| NOT TOOLED | 5569-14A2GS2-210-T | 14 | | | 46999-0019 | 5569-14A2S-400-T | 14 | | |
| NOT TOOLED | 5569-16A2GS2-210-T | 16 | | | 46999-0020 | 5569-16A2S-400-T | 16 | | |
| NOT TOOLED | 5569-18A2GS2-210-T | 18 | | | 46999-0021 | 5569-18A2S-400-T | 18 | | |
| NOT TOOLED | 5569-20A2GS2-210-T | 20 | | | 46999-0022 | 5569-20A2S-400-T | 20 | | |
| NOT TOOLED | 5569-22A2GS2-210-T | 22 | | | 46999-0023 | 5569-22A2S-400-T | 22 | | |
| NOT TOOLED | 5569-24A2GS2-210-T | 24 | | | 46999-0024 | 5569-24A2S-400-T | 24 | | |
| 26-01-3141 | 5569-02A2GS3-T | 2 | 50 μ" SELECT GOLD SEE NOTE 2 OPTION "GS3" | 94V-2 | 46999-0538 | 5569-02A2GS2-400-T | 2 | 15 μ" SELECT GOLD SEE NOTE 2 OPTION "GS2" | BLACK 94V-0 |
| 26-01-3142 | 5569-04A2GS3-T | 4 | | | 46999-0539 | 5569-04A2GS2-400-T | 4 | | |
| 26-01-3143 | 5569-06A2GS3-T | 6 | | | 46999-0540 | 5569-06A2GS2-400-T | 6 | | |
| 26-01-3144 | 5569-08A2GS3-T | 8 | | | 46999-0541 | 5569-08A2GS2-400-T | 8 | | |
| NOT TOOLED | 5569-10A2GS3-T | 10 | | | 46999-0542 | 5569-10A2GS2-400-T | 10 | | |
| NOT TOOLED | 5569-12A2GS3-T | 12 | | | 46999-0543 | 5569-12A2GS2-400-T | 12 | | |
| NOT TOOLED | 5569-14A2GS3-T | 14 | | | 46999-0544 | 5569-14A2GS2-400-T | 14 | | |
| 26-01-3148 | 5569-16A2GS3-T | 16 | | | 46999-0545 | 5569-16A2GS2-400-T | 16 | | |
| NOT TOOLED | 5569-18A2GS3-T | 18 | | | 46999-0546 | 5569-18A2GS2-400-T | 18 | | |
| NOT TOOLED | 5569-20A2GS3-T | 20 | | | 46999-0547 | 5569-20A2GS2-400-T | 20 | | |
| NOT TOOLED | 5569-22A2GS3-T | 22 | | | 46999-0548 | 5569-22A2GS2-400-T | 22 | | |
| NOT TOOLED | 5569-24A2GS3-T | 24 | | | 46999-0549 | 5569-24A2GS2-400-T | 24 | | |
| 46999-0001 | 5569-02A2S-BL-T | 2 | MATTE TIN OVER NICKEL SEE NOTE 2 OPTION "S" | BLACK 94V-2 | 46999-0515 | 5569-02A2G-400-T | 2 | 30 μ" SELECT GOLD SEE NOTE 2 OPTION "G" | BLACK 94V-0 |
| 46999-0002 | 5569-04A2S-BL-T | 4 | | | 46999-0516 | 5569-04A2G-400-T | 4 | | |
| 46999-0003 | 5569-06A2S-BL-T | 6 | | | 46999-0517 | 5569-06A2G-400-T | 6 | | |
| 46999-0004 | 5569-08A2S-BL-T | 8 | | | 46999-0518 | 5569-08A2G-400-T | 8 | | |
| 46999-0005 | 5569-10A2S-BL-T | 10 | | | 46999-0519 | 5569-10A2G-400-T | 10 | | |
| 46999-0006 | 5569-12A2S-BL-T | 12 | | | 46999-0520 | 5569-12A2G-400-T | 12 | | |
| 46999-0007 | 5569-14A2S-BL-T | 14 | | | 46999-0521 | 5569-14A2G-400-T | 14 | | |
| 46999-0008 | 5569-16A2S-BL-T | 16 | | | 46999-0522 | 5569-16A2G-400-T | 16 | | |
| 46999-0009 | 5569-18A2S-BL-T | 18 | | | 46999-0523 | 5569-18A2G-400-T | 18 | | |
| 46999-0010 | 5569-20A2S-BL-T | 20 | | | 46999-0524 | 5569-20A2G-400-T | 20 | | |
| 46999-0011 | 5569-22A2S-BL-T | 22 | | | 46999-0525 | 5569-22A2G-400-T | 22 | | |
| 46999-0012 | 5569-24A2S-BL-T | 24 | | | 46999-0526 | 5569-24A2G-400-T | 24 | | |

| | | | | | | | | | | | | |
|--|---|----------------|-------|------------------------|-----------------------------------|---------|---------|-------------|-------------------|--------------------------------|---|--|
| SYMBOLS ▽ = 0 ▽ = 0 ▽ = 0 ▽ = 0 ▽ = 0 ▽ = 0 ▽ = 0 ▽ = 0 ▽ = 0 ▽ = 0 | THIS DRAWING CONTAINS INFORMATION THAT IS PROPRIETARY TO MOLEX ELECTRONIC TECHNOLOGIES, LLC AND SHOULD NOT BE USED WITHOUT WRITTEN PERMISSION | | | | | | | | | | | |
| | DIMENSION UNITS | | SCALE | | CURRENT REV DESC: MIGRATE TO ECTR | | | | | |  | |
| | IN/MM | | 1:1 | | | | | | | | | |
| | GENERAL TOLERANCES (UNLESS SPECIFIED) | | | | MM | | INCH | | EC NO: 172489 | | 2018/01/26 | |
| | 4 PLACES | | ± | | ± | | ± | | DRWN: ANESSER | | 2018/02/20 | |
| | 3 PLACES | | ± | | ± | | ± 0.01 | | CHK'D: JBELL | | 2018/02/20 | |
| | 2 PLACES | | ± | | ± 0.25 | | ± 0.015 | | APPR: FSMITH | | 2018/02/22 | |
| | 1 PLACE | | ± | | ± 0.38 | | ± | | INITIAL REVISION: | | | |
| | 0 PLACES | | ± | | ± | | ± | | DRWN: RJF | | 1988/02/16 | |
| | ANGULAR TOL | | ± | | ± 0.5 ° | | | | APPR: FSMITH | | 2016/12/20 | |
| DRAFT WHERE APPLICABLE MUST REMAIN WITHIN DIMENSIONS | | | | THIRD ANGLE PROJECTION | | DRAWING | | SERIES | | DOCUMENT NUMBER | | |
| | | | | C-SIZE | | 5569 | | 55690002-SD | | DOC TYPE DOC PART REVISION | | |
| SEE CHART | | GENERAL MARKET | | 3 OF 4 | | | | | | | | |

TRAY PACKAGED PER PK-5569-003

| PART NUMBER | ENG. NUMBER | CKT. SIZE | PLATING (NOTE 2) | HSG MAT'L | PART NUMBER | ENG. NUMBER | CKT. SIZE | PLATING (NOTE 2) | HSG MAT'L | PART NUMBER | ENG. NUMBER | CKT. SIZE | PLATING (NOTE 2) | HSG MAT'L | | | | | | |
|-------------|-------------------|-----------|---|-------------------|--|------------------|------------|---|-----------|--|----------------|--|---|-----------|-------|--|--|--|--|--|
| 50-36-1757 | 5569-02A2S-T | 2 | MATTE TIN OVER NICKEL SEE NOTE 2 OPTION "S" | 94V-2 | 50-36-1758 | 5569-02A2S-210-T | 2 | MATTE TIN OVER NICKEL SEE NOTE 2 OPTION "S" | 94V-0 | 26-01-3114 | 5569-02A2GS2-T | 2 | 15 μ" SELECT GOLD SEE NOTE 2 OPTION "GS2" | 94V-2 | | | | | | |
| 50-36-1767 | 5569-04A2S-T | 4 | | | 50-36-1768 | 5569-04A2S-210-T | 4 | | | 26-01-3115 | 5569-04A2GS2-T | 4 | | | | | | | | |
| 50-36-1777 | 5569-06A2S-T | 6 | | | 50-36-1778 | 5569-06A2S-210-T | 6 | | | 26-01-3116 | 5569-06A2GS2-T | 6 | | | | | | | | |
| 50-36-1787 | 5569-08A2S-T | 8 | | | 50-36-1788 | 5569-08A2S-210-T | 8 | | | NOT TOOLED | 5569-08A2GS2-T | 8 | | | | | | | | |
| 50-36-1797 | 5569-10A2S-T | 10 | | | 50-36-1798 | 5569-10A2S-210-T | 10 | | | NOT TOOLED | 5569-10A2GS2-T | 10 | | | | | | | | |
| 50-36-1807 | 5569-12A2S-T | 12 | | | 50-36-1808 | 5569-12A2S-210-T | 12 | | | 26-01-3119 | 5569-12A2GS2-T | 12 | | | | | | | | |
| 50-36-1817 | 5569-14A2S-T | 14 | | | 50-36-1818 | 5569-14A2S-210-T | 14 | | | NOT TOOLED | 5569-14A2GS2-T | 14 | | | | | | | | |
| 50-36-1827 | 5569-16A2S-T | 16 | | | 50-36-1828 | 5569-16A2S-210-T | 16 | | | NOT TOOLED | 5569-16A2GS2-T | 16 | | | | | | | | |
| 50-36-1837 | 5569-18A2S-T | 18 | | | 50-36-1838 | 5569-18A2S-210-T | 18 | | | NOT TOOLED | 5569-18A2GS2-T | 18 | | | | | | | | |
| 50-36-1847 | 5569-20A2S-T | 20 | | | 50-36-1848 | 5569-20A2S-210-T | 20 | | | NOT TOOLED | 5569-20A2GS2-T | 20 | | | | | | | | |
| 50-36-1857 | 5569-22A2S-T | 22 | | | 50-36-1858 | 5569-22A2S-210-T | 22 | | | NOT TOOLED | 5569-22A2GS2-T | 22 | | | | | | | | |
| 50-36-1867 | 5569-24A2S-T | 24 | | | 50-36-1868 | 5569-24A2S-210-T | 24 | | | 26-01-3126 | 5569-24A2GS2-T | 24 | | | | | | | | |
| 50-36-1755 | 5569-02A2GS-T | 2 | | | 30 μ" SELECT GOLD SEE NOTE 2 OPTION "GS" | 94V-2 | 50-36-1756 | | | 5569-02A2GS-210-T | 2 | 30 μ" SELECT GOLD SEE NOTE 2 OPTION "GS" | | | 94V-0 | | | | | |
| 50-36-1765 | 5569-04A2GS-T | 4 | | | | | 50-36-1766 | | | 5569-04A2GS-210-T | 4 | | | | | | | | | |
| 50-36-1775 | 5569-06A2GS-T | 6 | 50-36-1776 | 5569-06A2GS-210-T | | | 6 | | | | | | | | | | | | | |
| 50-36-1785 | 5569-08A2GS-T | 8 | 50-36-1786 | 5569-08A2GS-210-T | | | 8 | | | | | | | | | | | | | |
| 50-36-1795 | 5569-10A2GS-T | 10 | 50-36-1796 | 5569-10A2GS-210-T | | | 10 | | | | | | | | | | | | | |
| 50-36-1805 | 5569-12A2GS-T | 12 | 50-36-1806 | 5569-12A2GS-210-T | | | 12 | | | | | | | | | | | | | |
| 50-36-1815 | 5569-14A2GS-T | 14 | 50-36-1816 | 5569-14A2GS-210-T | | | 14 | | | | | | | | | | | | | |
| 50-36-1825 | 5569-16A2GS-T | 16 | 50-36-1826 | 5569-16A2GS-210-T | | | 16 | | | | | | | | | | | | | |
| 50-36-1835 | 5569-18A2GS-T | 18 | 50-36-1836 | 5569-18A2GS-210-T | | | 18 | | | | | | | | | | | | | |
| 50-36-1845 | 5569-20A2GS-T | 20 | 50-36-1846 | 5569-20A2GS-210-T | | | 20 | | | | | | | | | | | | | |
| 39-30-1221 | 5569-22A2GS-T | 22 | 50-36-1856 | 5569-22A2GS-210-T | | | 22 | | | | | | | | | | | | | |
| 50-36-1865 | 5569-24A2GS-T | 24 | 50-36-1866 | 5569-24A2GS-210-T | | | 24 | | | | | | | | | | | | | |
| 26-01-3177 | 5569-02AGS3-210-T | 2 | 50 μ" SELECT GOLD SEE NOTE 2 OPTION "GS3" | 94V-0 | | | 26-01-3101 | 5569-02A2GS-BL-T | 2 | 30 μ" SELECT GOLD SEE NOTE 2 OPTION "GS" | BLACK 94V-2 | | | | | | | | | |
| 26-01-3178 | 5569-04AGS3-210-T | 4 | | | | | NOT TOOLED | 5569-04A2GS-BL-T | 4 | | | | | | | | | | | |
| | | 6 | | | NOT TOOLED | 5569-06A2GS-BL-T | 6 | | | | | | | | | | | | | |
| | | 8 | | | NOT TOOLED | 5569-08A2GS-BL-T | 8 | | | | | | | | | | | | | |
| 26-01-3094 | 5569-10AGS3-210-T | 10 | | | NOT TOOLED | 5569-10A2GS-BL-T | 10 | | | | | | | | | | | | | |
| | | 12 | | | NOT TOOLED | 5569-12A2GS-BL-T | 12 | | | | | | | | | | | | | |
| | | 14 | | | NOT TOOLED | 5569-14A2GS-BL-T | 14 | | | | | | | | | | | | | |
| | | 16 | | | 26-01-3108 | 5569-16A2GS-BL-T | 16 | | | | | | | | | | | | | |
| | | 18 | | | NOT TOOLED | 5569-18A2GS-BL-T | 18 | | | | | | | | | | | | | |
| | | 20 | | | NOT TOOLED | 5569-20A2GS-BL-T | 20 | | | | | | | | | | | | | |
| | | 22 | | | NOT TOOLED | 5569-22A2GS-BL-T | 22 | | | | | | | | | | | | | |
| | | 24 | | | NOT TOOLED | 5569-24A2GS-BL-T | 24 | | | | | | | | | | | | | |

| | | | | | | | | | | |
|---------|---|---|---------|---------|---|---|--|--|--|--|
| SYMBOLS | THIS DRAWING CONTAINS INFORMATION THAT IS PROPRIETARY TO MOLEX ELECTRONIC TECHNOLOGIES, LLC AND SHOULD NOT BE USED WITHOUT WRITTEN PERMISSION | | | | | | | | | |
| | DIMENSION UNITS | | SCALE | | CURRENT REV DESC: MIGRATE TO ECTR | | | | | |
| | IN/MM | | 1:1 | | EC NO: 172489 DRWN: ANESSER 2018/01/26 CHK'D: JBELL 2018/02/20 APPR: FSMITH 2018/02/22 INITIAL REVISION: DRWN: RJF 1988/02/16 APPR: FSMITH 2016/12/20 | | | | | |
| | GENERAL TOLERANCES (UNLESS SPECIFIED) | | | | | | | | | |
| ▽ = 0 | 4 PLACES | ± | | MM | INCH | PRODUCT CUSTOMER DRAWING DOCUMENT NUMBER: 55690002-SD DOC TYPE: PSD DOC PART: 000 REVISION: A MATERIAL NUMBER: SEE CHART CUSTOMER: GENERAL MARKET SHEET NUMBER: 4 OF 4 | | | | |
| ▽ = 0 | 3 PLACES | ± | | ± 0.01 | | | | | | |
| ▽ = 0 | 2 PLACES | ± | 0.25 | ± 0.015 | | | | | | |
| ▽ = 0 | 1 PLACE | ± | 0.38 | ± | | | | | | |
| ⊠ = 0 | 0 PLACES | ± | | | | THIRD ANGLE PROJECTION DRAWING: C-SIZE SERIES: 5569 | | | | |
| ■ = 0 | ANGULAR TOL | | ± 0.5 ° | | | | | | | |
| ▽ = 0 | DRAFT WHERE APPLICABLE MUST REMAIN WITHIN DIMENSIONS | | | | | | | | | |



MINI-FIT JR RIGHT ANGLE HEADER ASSEMBLIES WITH MOUNTING PEGS

PRODUCT CUSTOMER DRAWING

55690002-SD PSD 000 A

TRAY PACKAGED PER PK-5569-003

| PART NUMBER | ENG. NUMBER | CKT. SIZE | PLATING (NOTE 2) | HSG MATL | PART NUMBER | ENG. NUMBER | CKT. SIZE | PLATING (NOTE 2) | HSG MATL |
|-------------|--------------------|-----------|---|----------------|---|--------------------|-----------|---|----------------|
| 26-01-3127 | 5569-02A2GS2-210-T | 2 | 15 μ" SELECT GOLD SEE NOTE 2 OPTION "GS2" | 94V-0 | 46999-0538 | 5569-02A2GS2-400-T | 2 | 15 μ" SELECT GOLD SEE NOTE 2 OPTION "GS2" | BLACK 94V-0 |
| 26-01-3128 | 5569-04A2GS2-210-T | 4 | | | 46999-0539 | 5569-04A2GS2-400-T | 4 | | |
| NOT TOOLED | 5569-06A2GS2-210-T | 6 | | | 46999-0540 | 5569-06A2GS2-400-T | 6 | | |
| NOT TOOLED | 5569-08A2GS2-210-T | 8 | | | 46999-0541 | 5569-08A2GS2-400-T | 8 | | |
| NOT TOOLED | 5569-10A2GS2-210-T | 10 | | | 46999-0542 | 5569-10A2GS2-400-T | 10 | | |
| NOT TOOLED | 5569-12A2GS2-210-T | 12 | | | 46999-0543 | 5569-12A2GS2-400-T | 12 | | |
| NOT TOOLED | 5569-14A2GS2-210-T | 14 | | | 46999-0544 | 5569-14A2GS2-400-T | 14 | | |
| NOT TOOLED | 5569-16A2GS2-210-T | 16 | | | 46999-0545 | 5569-16A2GS2-400-T | 16 | | |
| NOT TOOLED | 5569-18A2GS2-210-T | 18 | | | 46999-0546 | 5569-18A2GS2-400-T | 18 | | |
| NOT TOOLED | 5569-20A2GS2-210-T | 20 | | | 46999-0547 | 5569-20A2GS2-400-T | 20 | | |
| NOT TOOLED | 5569-22A2GS2-210-T | 22 | | | 46999-0548 | 5569-22A2GS2-400-T | 22 | | |
| NOT TOOLED | 5569-24A2GS2-210-T | 24 | | | 46999-0549 | 5569-24A2GS2-400-T | 24 | | |
| 26-01-3141 | 5569-02A2GS3-T | 2 | | | 50 μ" SELECT GOLD SEE NOTE 2 OPTION "GS3" | 94V-2 | | | |
| 26-01-3142 | 5569-04A2GS3-T | 4 | | | | | 4 | | |
| 26-01-3143 | 5569-06A2GS3-T | 6 | | | | | 6 | | |
| 26-01-3144 | 5569-08A2GS3-T | 8 | | | | | 8 | | |
| NOT TOOLED | 5569-10A2GS3-T | 10 | | | | | 10 | | |
| NOT TOOLED | 5569-12A2GS3-T | 12 | | | | | 12 | | |
| NOT TOOLED | 5569-14A2GS3-T | 14 | | | | | 14 | | |
| 26-01-3148 | 5569-16A2GS3-T | 16 | | | | | 16 | | |
| NOT TOOLED | 5569-18A2GS3-T | 18 | | | | | 18 | | |
| NOT TOOLED | 5569-20A2GS3-T | 20 | | | | | 20 | | |
| NOT TOOLED | 5569-22A2GS3-T | 22 | | | | | 22 | | |
| NOT TOOLED | 5569-24A2GS3-T | 24 | | | 24 | | | | |
| 46999-0001 | 5569-02A2S-BL-T | 2 | MATTE TIN OVER NICKEL SEE NOTE 2 OPTION "S" | BLACK 94V-2 | | | 2 | | |
| 46999-0002 | 5569-04A2S-BL-T | 4 | | | | | 4 | | |
| 46999-0003 | 5569-06A2S-BL-T | 6 | | | | | 6 | | |
| 46999-0004 | 5569-08A2S-BL-T | 8 | | | | | 8 | | |
| 46999-0005 | 5569-10A2S-BL-T | 10 | | | | | 10 | | |
| 46999-0006 | 5569-12A2S-BL-T | 12 | | | | | 12 | | |
| 46999-0007 | 5569-14A2S-BL-T | 14 | | | | | 14 | | |
| 46999-0008 | 5569-16A2S-BL-T | 16 | | | | | 16 | | |
| 46999-0009 | 5569-18A2S-BL-T | 18 | | | | | 18 | | |
| 46999-0010 | 5569-20A2S-BL-T | 20 | | | | | 20 | | |
| 46999-0011 | 5569-22A2S-BL-T | 22 | | | | | 22 | | |
| 46999-0012 | 5569-24A2S-BL-T | 24 | | | | | 24 | | |
| 46999-0013 | 5569-02A2S-400-T | 2 | MATTE TIN OVER NICKEL SEE NOTE 2 OPTION "S" | BLACK 94V-0 | 46999-0515 | 5569-02A2G-400-T | 2 | 30 μ" SELECT GOLD SEE NOTE 2 OPTION "G" | BLACK 94V-0 |
| 46999-0014 | 5569-04A2S-400-T | 4 | | | 46999-0516 | 5569-04A2G-400-T | 4 | | |
| 46999-0015 | 5569-06A2S-400-T | 6 | | | 46999-0517 | 5569-06A2G-400-T | 6 | | |
| 46999-0016 | 5569-08A2S-400-T | 8 | | | 46999-0518 | 5569-08A2G-400-T | 8 | | |
| 46999-0017 | 5569-10A2S-400-T | 10 | | | 46999-0519 | 5569-10A2G-400-T | 10 | | |
| 46999-0018 | 5569-12A2S-400-T | 12 | | | 46999-0520 | 5569-12A2G-400-T | 12 | | |
| 46999-0019 | 5569-14A2S-400-T | 14 | | | 46999-0521 | 5569-14A2G-400-T | 14 | | |
| 46999-0020 | 5569-16A2S-400-T | 16 | | | 46999-0522 | 5569-16A2G-400-T | 16 | | |
| 46999-0021 | 5569-18A2S-400-T | 18 | | | 46999-0523 | 5569-18A2G-400-T | 18 | | |
| 46999-0022 | 5569-20A2S-400-T | 20 | | | 46999-0524 | 5569-20A2G-400-T | 20 | | |
| 46999-0023 | 5569-22A2S-400-T | 22 | | | 46999-0525 | 5569-22A2G-400-T | 22 | | |
| 46999-0024 | 5569-24A2S-400-T | 24 | | | 46999-0526 | 5569-24A2G-400-T | 24 | | |

| | | | |
|------------------------|---|---|-------------------------------|
| REVISION: M7 | ECR/ECN INFORMATION: EC No: UCP2018-0918 DATE: 2014/08/29 | TITLE: MINI-FIT JR.® RIGHT ANGLE HEADER ASSEMBLIES WITH MOUNTING PEGS | SHEET No. - 3 - |
|------------------------|---|---|-------------------------------|

| | | | |
|--|---------------------------|-----------------------------|-------------------------------|
| DOCUMENT NUMBER: SDA-5569-NA2*-* | Drawn By: JDFOX | Checked By: JBELL | Approved By: FSMITH |
|--|---------------------------|-----------------------------|-------------------------------|

TRAY PACKAGED PER PK-5569-003

| PART NUMBER | ENG. NUMBER | CKT. SIZE | PLATING (NOTE 2) | HSG MAT'L | PART NUMBER | ENG. NUMBER | CKT. SIZE | PLATING (NOTE 2) | HSG MAT'L |
|-------------|--------------|-----------|---|-----------|-------------|------------------|-----------|---|-----------|
| 50-36-1757 | 5569-02A2S-T | 2 | MATTE TIN OVER NICKEL SEE NOTE 2 OPTION "S" | 94V-2 | 50-36-1758 | 5569-02A2S-210-T | 2 | MATTE TIN OVER NICKEL SEE NOTE 2 OPTION "S" | 94V-0 |
| 50-36-1767 | 5569-04A2S-T | 4 | | | 50-36-1768 | 5569-04A2S-210-T | 4 | | |
| 50-36-1777 | 5569-06A2S-T | 6 | | | 50-36-1778 | 5569-06A2S-210-T | 6 | | |
| 50-36-1787 | 5569-08A2S-T | 8 | | | 50-36-1788 | 5569-08A2S-210-T | 8 | | |
| 50-36-1797 | 5569-10A2S-T | 10 | | | 50-36-1798 | 5569-10A2S-210-T | 10 | | |
| 50-36-1807 | 5569-12A2S-T | 12 | | | 50-36-1808 | 5569-12A2S-210-T | 12 | | |
| 50-36-1817 | 5569-14A2S-T | 14 | | | 50-36-1818 | 5569-14A2S-210-T | 14 | | |
| 50-36-1827 | 5569-16A2S-T | 16 | | | 50-36-1828 | 5569-16A2S-210-T | 16 | | |
| 50-36-1837 | 5569-18A2S-T | 18 | | | 50-36-1838 | 5569-18A2S-210-T | 18 | | |
| 50-36-1847 | 5569-20A2S-T | 20 | | | 50-36-1848 | 5569-20A2S-210-T | 20 | | |
| 50-36-1857 | 5569-22A2S-T | 22 | | | 50-36-1858 | 5569-22A2S-210-T | 22 | | |
| 50-36-1867 | 5569-24A2S-T | 24 | | | 50-36-1868 | 5569-24A2S-210-T | 24 | | |

| | | | | | | | | | |
|------------|---------------|----|--|-------|------------|-------------------|----|--|-------|
| 50-36-1755 | 5569-02A2GS-T | 2 | 30 μ" SELECT GOLD SEE NOTE 2 OPTION "GS" | 94V-2 | 50-36-1756 | 5569-02A2GS-210-T | 2 | 30 μ" SELECT GOLD SEE NOTE 2 OPTION "GS" | 94V-0 |
| 50-36-1765 | 5569-04A2GS-T | 4 | | | 50-36-1766 | 5569-04A2GS-210-T | 4 | | |
| 50-36-1775 | 5569-06A2GS-T | 6 | | | 50-36-1776 | 5569-06A2GS-210-T | 6 | | |
| 50-36-1785 | 5569-08A2GS-T | 8 | | | 50-36-1786 | 5569-08A2GS-210-T | 8 | | |
| 50-36-1795 | 5569-10A2GS-T | 10 | | | 50-36-1796 | 5569-10A2GS-210-T | 10 | | |
| 50-36-1805 | 5569-12A2GS-T | 12 | | | 50-36-1806 | 5569-12A2GS-210-T | 12 | | |
| 50-36-1815 | 5569-14A2GS-T | 14 | | | 50-36-1816 | 5569-14A2GS-210-T | 14 | | |
| 50-36-1825 | 5569-16A2GS-T | 16 | | | 50-36-1826 | 5569-16A2GS-210-T | 16 | | |
| 50-36-1835 | 5569-18A2GS-T | 18 | | | 50-36-1836 | 5569-18A2GS-210-T | 18 | | |
| 50-36-1845 | 5569-20A2GS-T | 20 | | | 50-36-1846 | 5569-20A2GS-210-T | 20 | | |
| 39-30-1221 | 5569-22A2GS-T | 22 | | | 50-36-1856 | 5569-22A2GS-210-T | 22 | | |
| 50-36-1865 | 5569-24A2GS-T | 24 | | | 50-36-1866 | 5569-24A2GS-210-T | 24 | | |

| | | | | | | | | | |
|------------|-------------------|----|---|-------|------------|------------------|----|--|-------------|
| 26-01-3177 | 5569-02AGS3-210-T | 2 | 50 μ" SELECT GOLD SEE NOTE 2 OPTION "GS3" | 94V-0 | 26-01-3101 | 5569-02A2GS-BL-T | 2 | 30 μ" SELECT GOLD SEE NOTE 2 OPTION "GS" | BLACK 94V-2 |
| 26-01-3178 | 5569-04AGS3-210-T | 4 | | | NOT TOOLED | 5569-04A2GS-BL-T | 4 | | |
| | | 6 | | | NOT TOOLED | 5569-06A2GS-BL-T | 6 | | |
| | | 8 | | | NOT TOOLED | 5569-08A2GS-BL-T | 8 | | |
| 26-01-3094 | 5569-10AGS3-210-T | 10 | | | NOT TOOLED | 5569-10A2GS-BL-T | 10 | | |
| | | 12 | | | NOT TOOLED | 5569-12A2GS-BL-T | 12 | | |
| | | 14 | | | NOT TOOLED | 5569-14A2GS-BL-T | 14 | | |
| | | 16 | | | 26-01-3108 | 5569-16A2GS-BL-T | 16 | | |
| | | 18 | | | NOT TOOLED | 5569-18A2GS-BL-T | 18 | | |
| | | 20 | | | NOT TOOLED | 5569-20A2GS-BL-T | 20 | | |
| | | 22 | | | NOT TOOLED | 5569-22A2GS-BL-T | 22 | | |
| | | 24 | | | NOT TOOLED | 5569-24A2GS-BL-T | 24 | | |

| | | | | | | | | | | |
|------------|----------------|----|---|-------|--|--|--|--|--|--|
| 26-01-3114 | 5569-02A2GS2-T | 2 | 15 μ" SELECT GOLD SEE NOTE 2 OPTION "GS2" | 94V-2 | | | | | | |
| 26-01-3115 | 5569-04A2GS2-T | 4 | | | | | | | | |
| 26-01-3116 | 5569-06A2GS2-T | 6 | | | | | | | | |
| NOT TOOLED | 5569-08A2GS2-T | 8 | | | | | | | | |
| NOT TOOLED | 5569-10A2GS2-T | 10 | | | | | | | | |
| 26-01-3119 | 5569-12A2GS2-T | 12 | | | | | | | | |
| NOT TOOLED | 5569-14A2GS2-T | 14 | | | | | | | | |
| NOT TOOLED | 5569-16A2GS2-T | 16 | | | | | | | | |
| NOT TOOLED | 5569-18A2GS2-T | 18 | | | | | | | | |
| NOT TOOLED | 5569-20A2GS2-T | 20 | | | | | | | | |
| NOT TOOLED | 5569-22A2GS2-T | 22 | | | | | | | | |
| 26-01-3126 | 5569-24A2GS2-T | 24 | | | | | | | | |

| | | | |
|---------------------|--|--|------------------------|
| REVISION: M7 | ECR/ECN INFORMATION: EC No: UCP2018-0918 DATE: 2014/08/29 | TITLE: MINI-FIT JR.® RIGHT ANGLE HEADER ASSEMBLIES WITH MOUNTING PEGS | SHEET No. - 4 - |
|---------------------|--|--|------------------------|

| | | | |
|---|------------------------|--------------------------|----------------------------|
| DOCUMENT NUMBER: SDA-5569-NA2*-* | Drawn By: JDFOX | Checked By: JBELL | Approved By: FSMITH |
|---|------------------------|--------------------------|----------------------------|