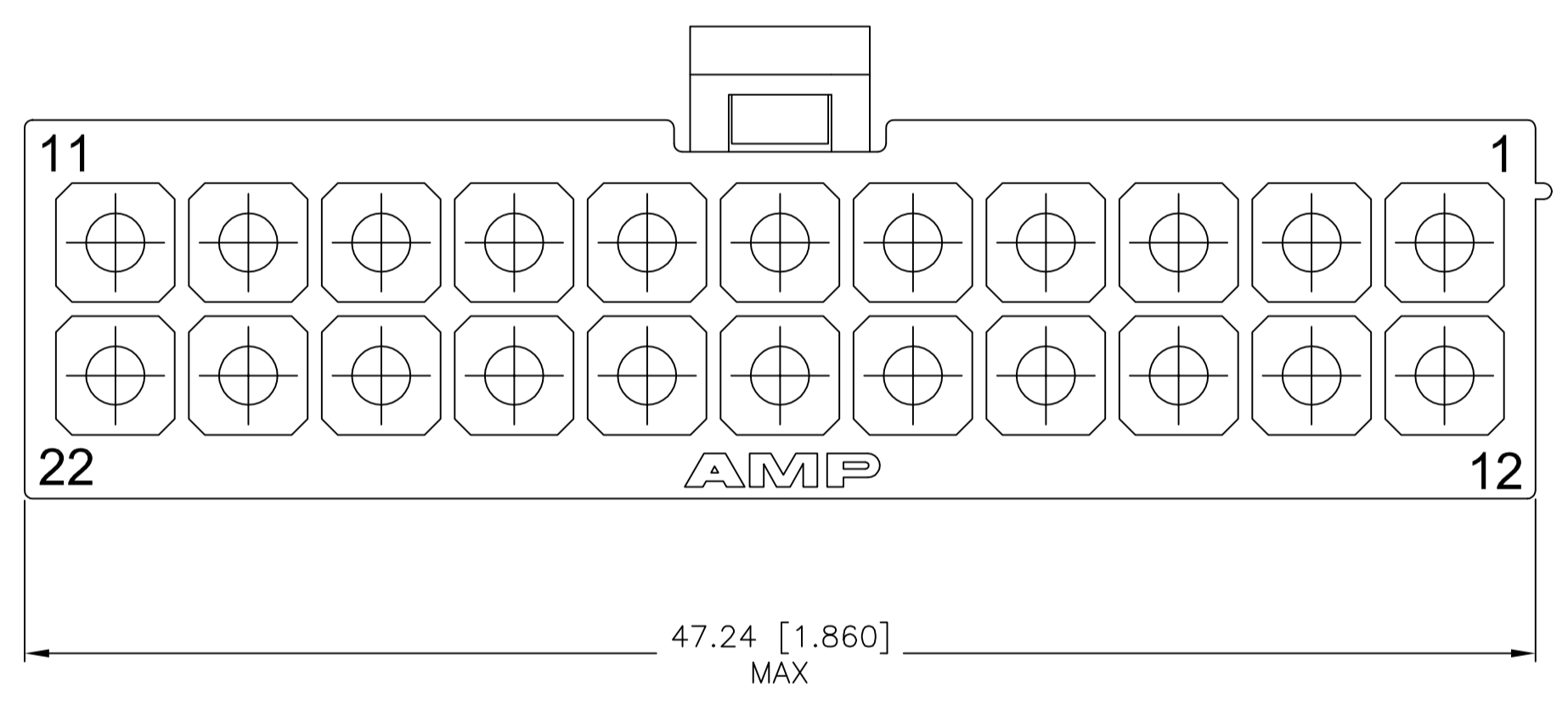
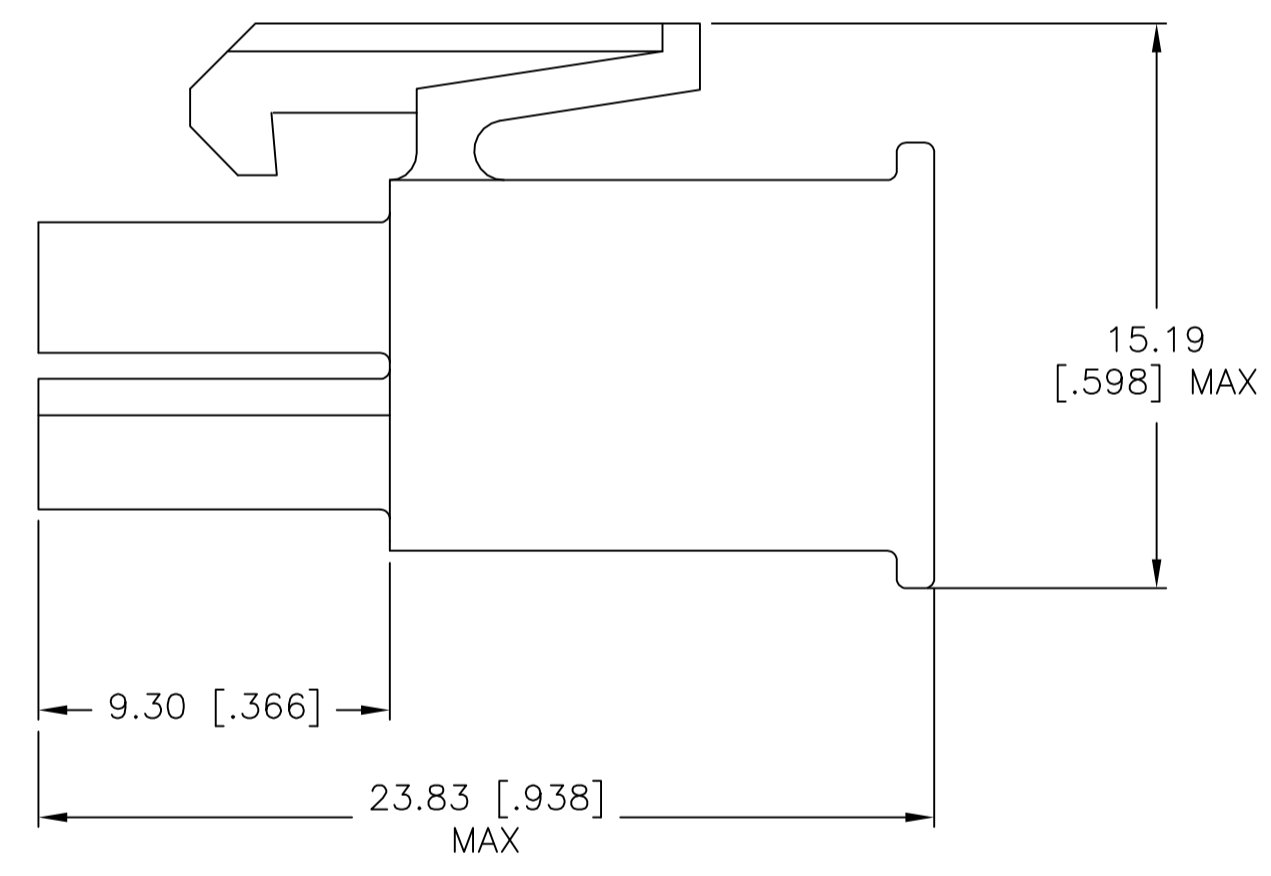
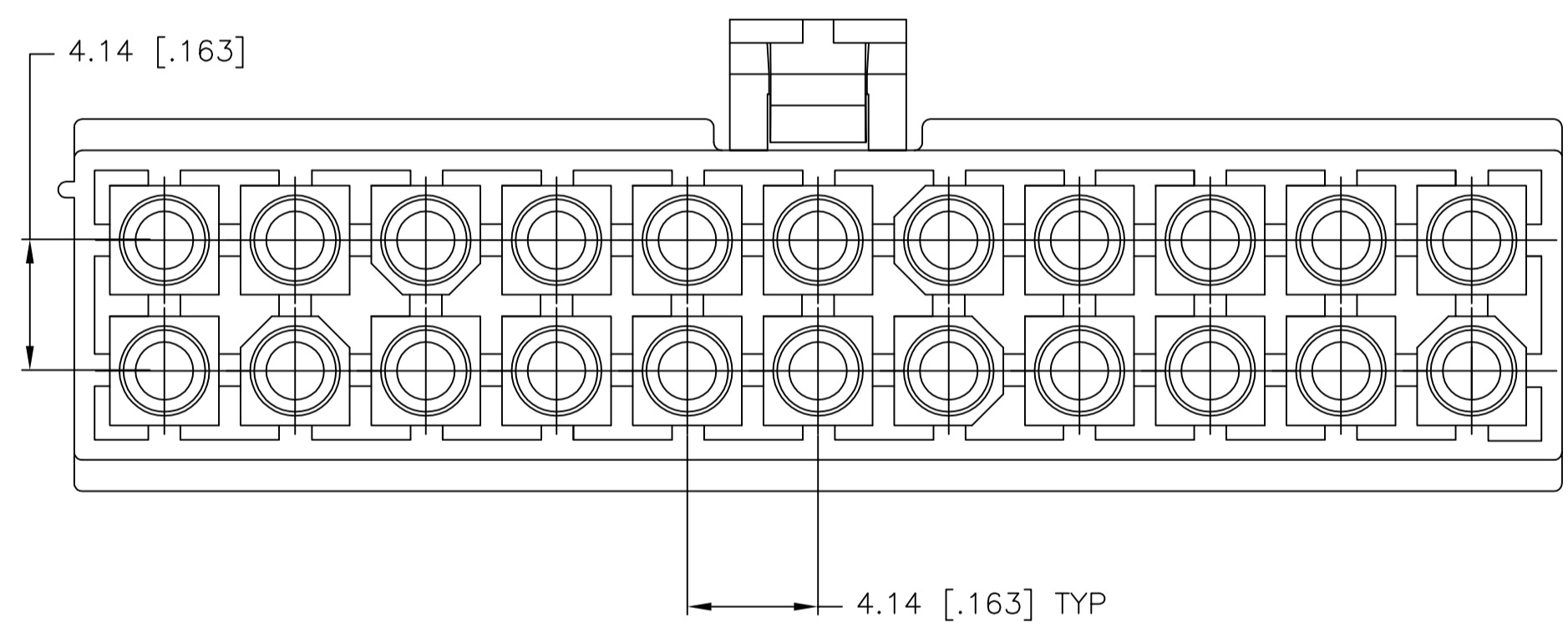


REVISIONS				
P	LYR	DESCRIPTION	DATE	APVD
J		REVISED PER ECR-17-015680	26OCT2017	BDA SG

1. INDIVIDUAL CORING FEATURES AROUND BASES OF SILOS MAY NOT BE PRESENT IN ALL LOCATIONS SHOWN.
2. DIMENSIONS INDICATED IS AS MOLDED. ADDITIONAL GROWTH DUE TO SUBSEQUENT MOISTURE ABSORPTION MAY OCCUR



770586-1  
PART NUMBER

THIS DRAWING IS A CONTROLLED DOCUMENT.		DWN S. HOOVER 12-MAY-2004	TE Connectivity	
DIMENSIONS: mm [INCHES]		CHK C. JONES 12-MAY-2004	NAME PLUG, 22 CIRCUIT, MINI UNIVERSAL MATE-N-LOK™	
TOLERANCES UNLESS OTHERWISE SPECIFIED:		APVD C. JONES 12-MAY-2004	PRODUCT SPEC	
0 PLC ± 1 PLC ± 2 PLC ± 3 PLC ± 0.13 [.005] 4 PLC ±		APPLICATION SPEC	SIZE A1	CAGE CODE 00779
ANGLE FINISH ±		WEIGHT	DRAWING NO 770586	RESTRICTED TO
MATERIAL NYLON, UL 94V-0 WHITE		CUSTOMER DRAWING	SCALE 4:1	SHEET 1 OF 1 REV J