



Part number

CHI 16 CS



Brief description:

bulkhead mounting housings with 4 pegs, size "77.27", metal cover, metal version, IP65

Product description		Approvals / Standards	
Version	metal version	Quality mark	 (type:4/4X/12),  , EAC
Series	Bulkhead housings, with 4 pegs	Conformity	CQC, CE
Product type	with 4 pegs and gasket	General ordering information	
Variant	metal cover	EAN13 code	8015747017800
Family	CLASS enclosures	Tariff number	85369095
Size	size "77.27"	Packaging Information	
Technical data		Packaging length	340,00 mm
Operating temperature range (min, max)	-40°C ... +125°C	Packaging height	135,00 mm
Material	metal	Packaging width	200,00 mm
IP degree of protection	IP65	Packaging weight	3,40 kg
Further technical details		Packaging volume	9,18 dm ³
Weight	140,00 g	Packaging description	Carton box
		Packaging quantity	20 Pcs
		Packaging EAN code	8015747017817
		Sub-packaging weight	0,85 kg
		Sub-packaging description	Carton Box
		Sub-packaging quantity	5 Pcs
		Sub-packaging EAN barcode	8015747017824

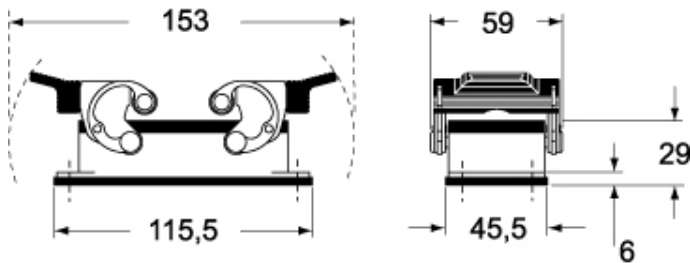
Part number

CHI 16 CS

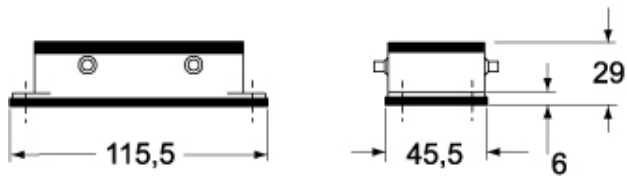


Catalogue drawings

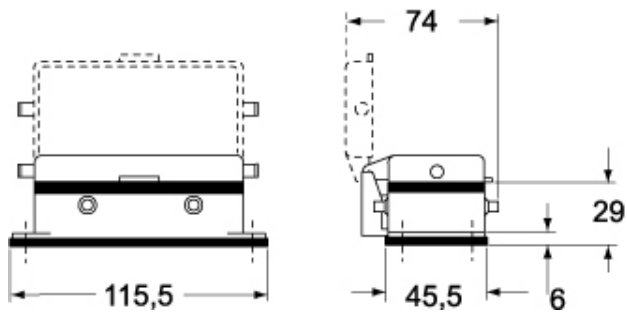
CHI



CHI C



CHI CS/CP



Catalogue drawings

