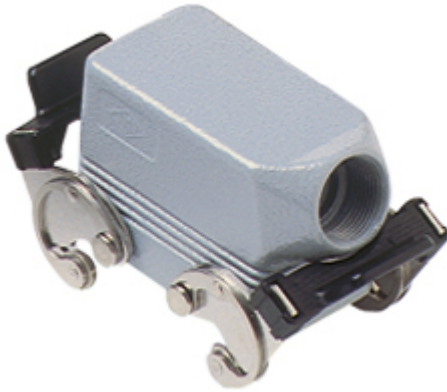




Part number

# CAO 10 X



## Brief description:

hoods with two levers, size "57.27", side entry, Pg21, metal version, IP66 (EN 60529) and IP69K (DIN 40050 - 9) degree of protection.

Product description		Approvals / Standards	
Version	metal version	Quality mark	 (type:4/4X/12),  , EAC
Series	Hoods for 2 levers, without gasket	Conformity	CQC, CE
Product type	with 2 levers, without gasket	General ordering information	
Variant	side entry	EAN13 code	8015747006149
Style	high construction	Tariff number	85369095
Family	CLASS enclosures	Packaging Information	
Size	size "57.27"	Packaging length	290,00 mm
Technical data		Packaging height	130,00 mm
Material	metal	Packaging width	210,00 mm
IP degree of protection	IP66 (and IP69K DIN 40050 - 9)	Packaging weight	2,77 kg
Cable entry	Pg21	Packaging volume	7,92 dm <sup>3</sup>
Further technical details		Packaging description	Carton box
Weight	277,00 g	Packaging quantity	10 Pcs
		Packaging EAN code	8015747215558
		Sub-packaging weight	1,39 kg
		Sub-packaging description	Plastic pakaging
		Sub-packaging quantity	5 Pcs
		Sub-packaging EAN barcode	8015747006156

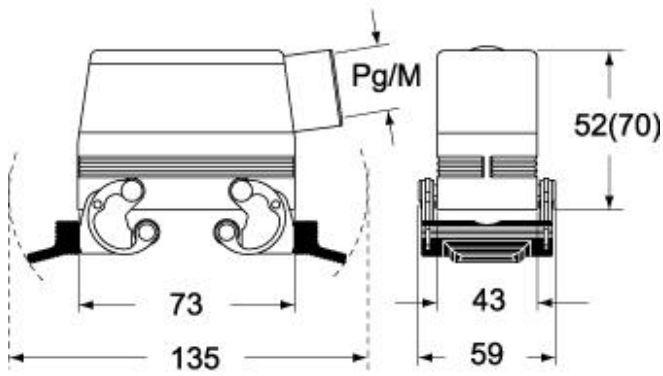
Part number

# CAO 10 X



Catalogue drawings

**CHO X (CAO X) - MHO X (MAO X)**



**CHV X (CAV X) - MHV X (MAV X)**

