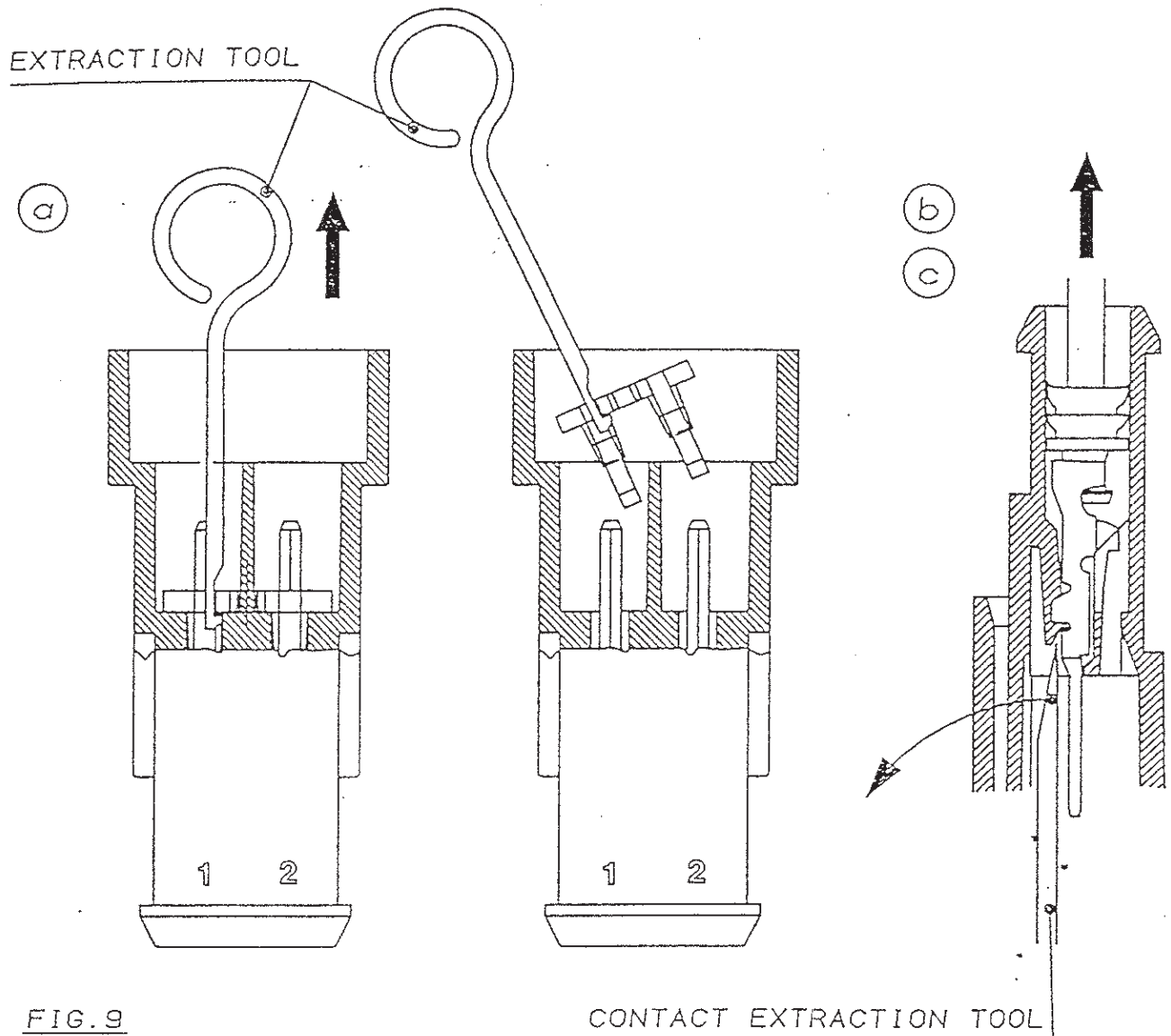


1.4.2) Removal of tab contact

- a)- Insert the extraction tool (PN 785084-1) in one of central holes of anti-back out device and pull it away.
- b)- Insert the contact extraction tool (PN 784980-1) between contact and lance nose, then rotate it slightly as shown.
- c)- Pull the wire.



Caution: Rotating the extraction tool, be careful not to deform the tab.