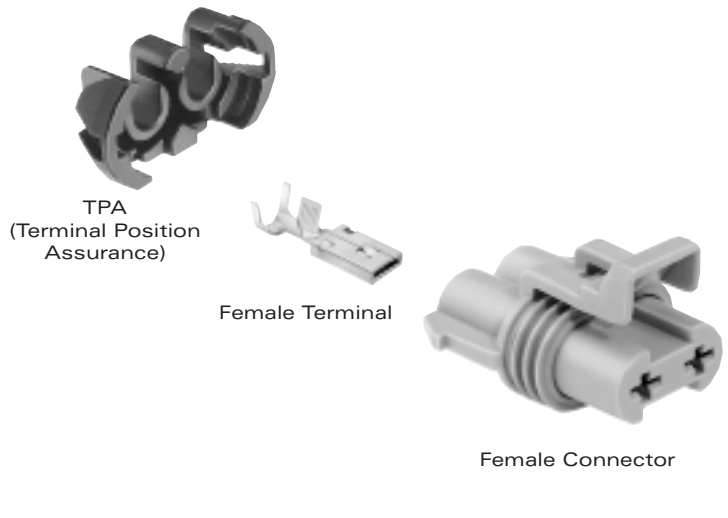
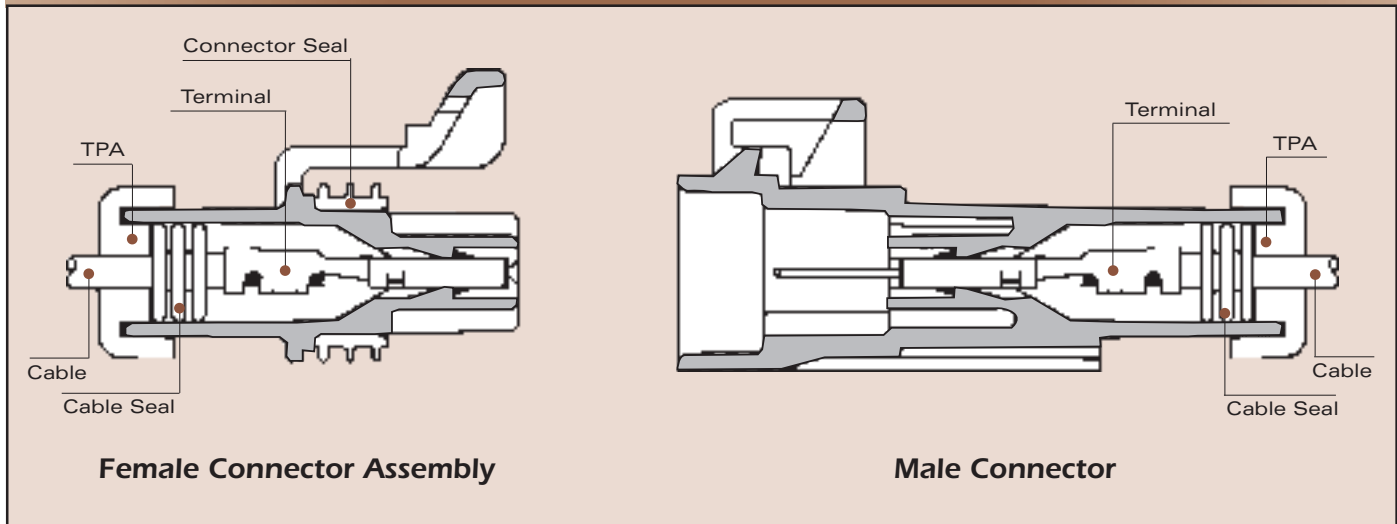




**Cross Sectional View**



**6.3 FEMALE TERMINALS SEALED**

Part #	Cable Range (mm <sup>2</sup> )	Material	Plating
12147473	2.5-1.5	Copper Nickel Silicon Alloy	Tin
12147474	6.0-4.0	Copper Nickel Silicon Alloy	Tin

**6.3 FEMALE CONNECTOR ASSEMBLY SEALED**

# Cavities	Connector	Color	Material	TPA
2	12147067	Gray	PA66	12147060

**6.3 DUCON CABLE SEALS**

Reel Part #	Loose Part #	Cable Diameter	Material	Color
10730240	10720847	2.40-1.60	Silicone	Lt. Brown
12059259	10720844	2.90-2.00	Silicone	Dk. Red
10730241	10738785	3.80-2.80	Silicone	Gray
15344032	10738786	4.50-3.60	Silicone	Blue

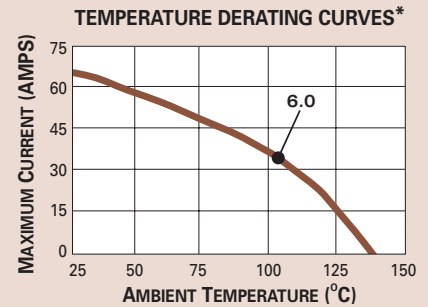
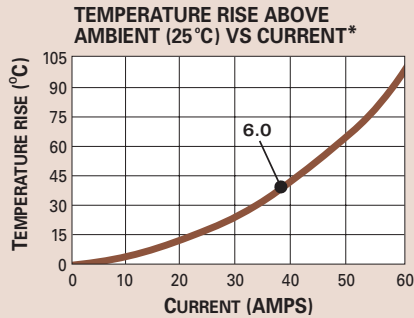
<http://delphi.com/products/connect>



## Sealed System Application Information

**CABLE RANGE (mm<sup>2</sup>):** ..... 1.5-6.0  
**CURRENT RANGE (AMPS):** ..... 55  
**TEMP RANGE °C:** ..... -40 to 135  
**RESISTANCE:** ..... <10mΩ@20mV  
**VOLTAGE DROP:** ..... <4.0mV/amp  
**CENTERLINE SPACING (mm):** ..... 10.8  
**BLADE WIDTH (mm):** ..... 6.3

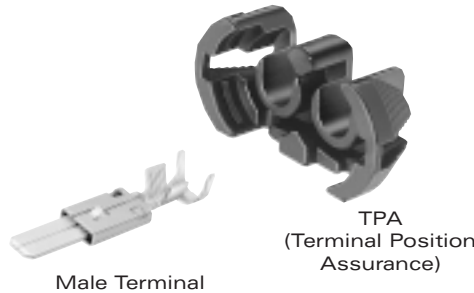
### 6.3 SERIES TERMINALS-Tin Plated



\*The test data are based on single circuits in free space and were generated using a "Lumped Resistance" model. This model does not account for all of the variables that would be present in an actual application. For actual product performance, contact your regional support representative at the number listed below.



Male Connector



Male Terminal

TPA  
(Terminal Position Assurance)



#### 6.3 MALE CONNECTOR SEALED

# Cavities	Connector	Color	Material	TPA
2	15344054	Black	PA66	12147060

#### 6.3 MALE TERMINALS SEALED

Part #	Cable Range (mm <sup>2</sup> )	Material	Plating
15344632	2.5-1.5	Copper Nickel Silicon Alloy	Tin
15344631	6.0-4.0	Copper Nickel Silicon Alloy	Tin



#### 6.3 DUCON CAVITY PLUG\*

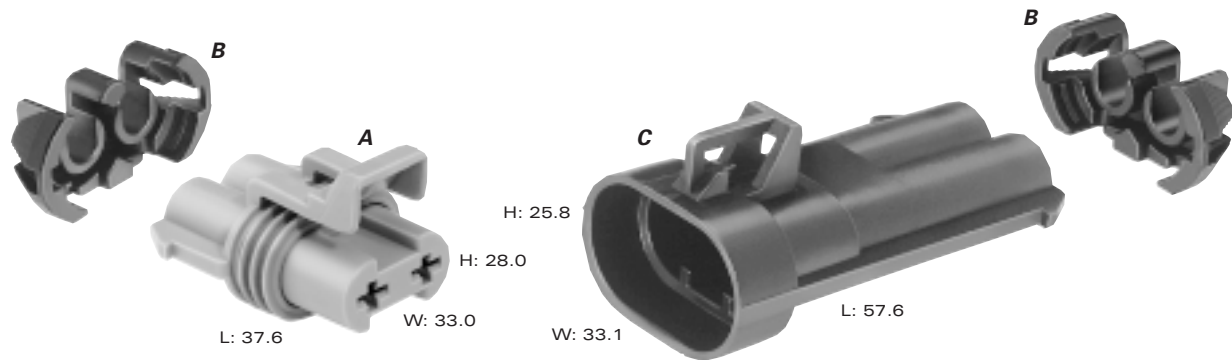
Part #	Cavity Inside Diameter	Material	Color
12059255	9.8mm	Silicone	Green

\*Cavity plugs seal unused female and male cavities.

#### SECTION NOTES:

Contact your regional support representative at the number listed below.

- Ducon Connection Systems have been validated using DIN Cable Standards.



Total Mated Length: 80.0mm

**A PART NO: 12147067**  
 DESCRIPTION: Connector 2F Assembly  
 SIZE: 37.6L x 28.0H x 33.0W  
 COLOR: Gray  
 MATERIAL: PA66  
 TERMINALS: See Page 212

**C PART NO: 15344054**  
 DESCRIPTION: Connector 2M (Clip Slot)  
 SIZE: 57.6L x 25.8H x 33.1W  
 COLOR: Black  
 MATERIAL: PA66  
 TERMINALS: See Page 213

**B PART NO: 12147060**  
 DESCRIPTION: TPA  
 NUMBER REQ: 2  
 COLOR: Black  
 MATERIAL: PA6