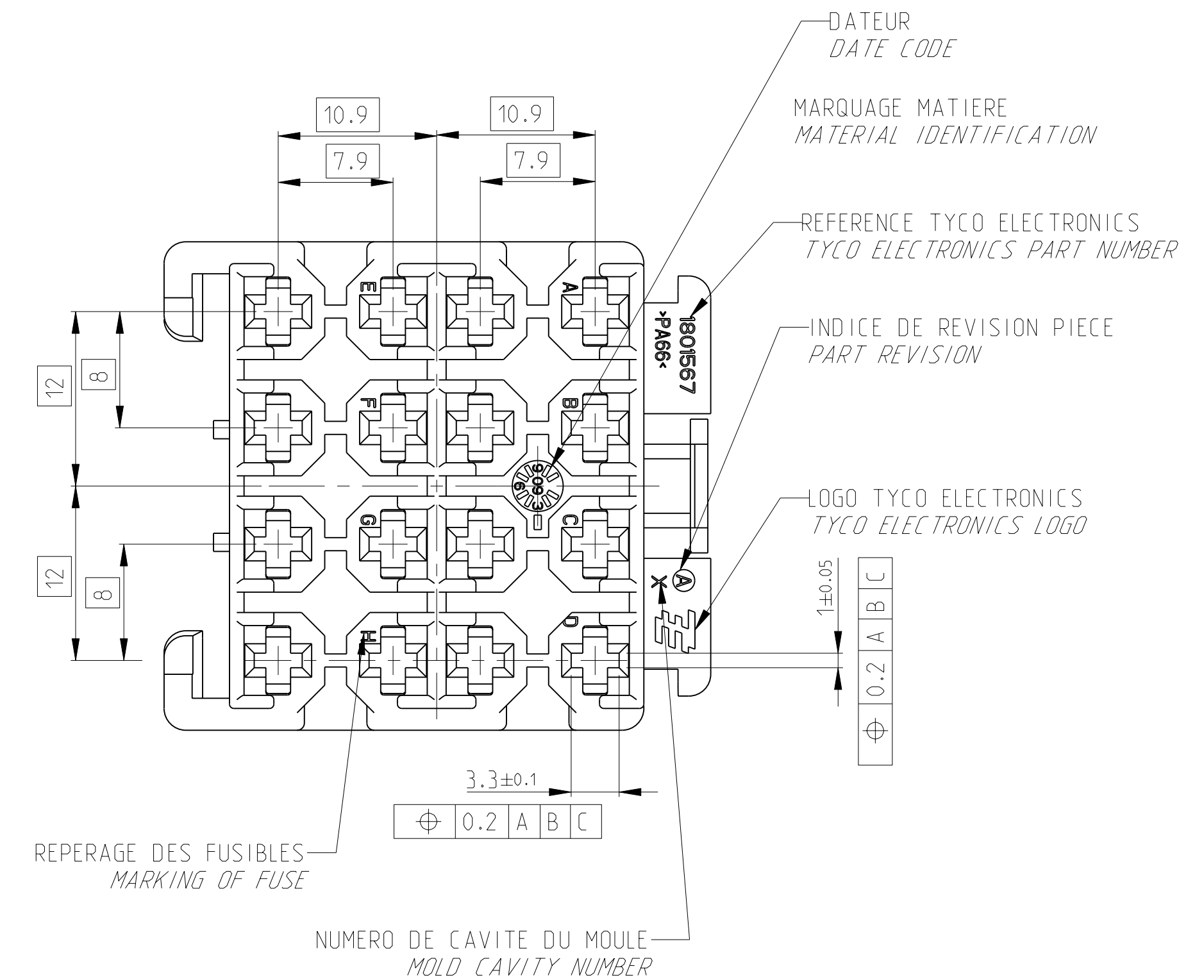
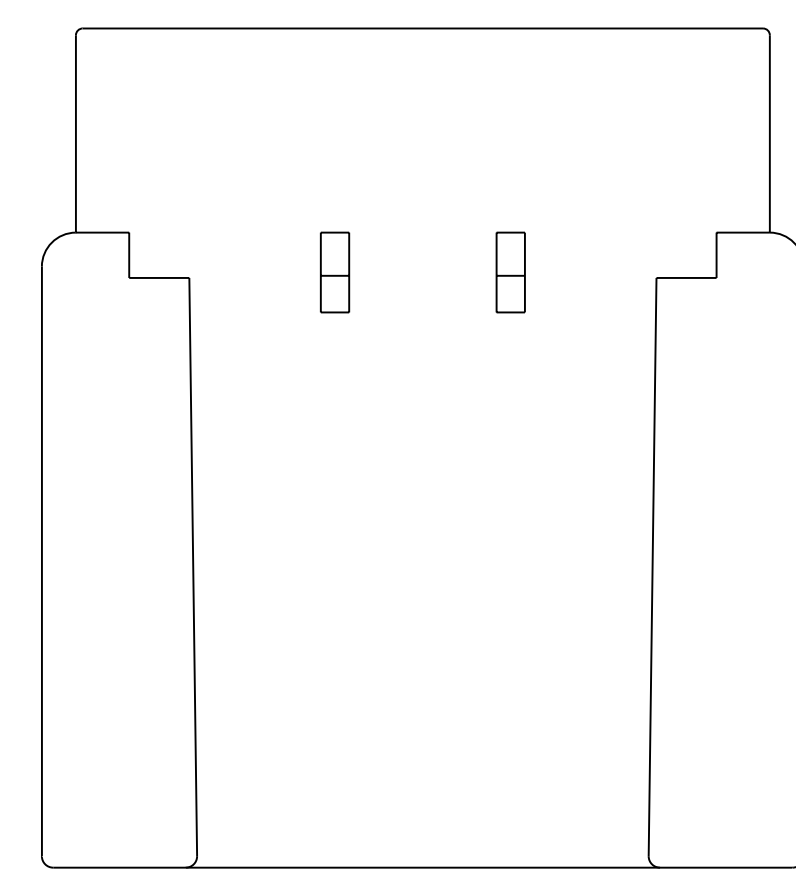
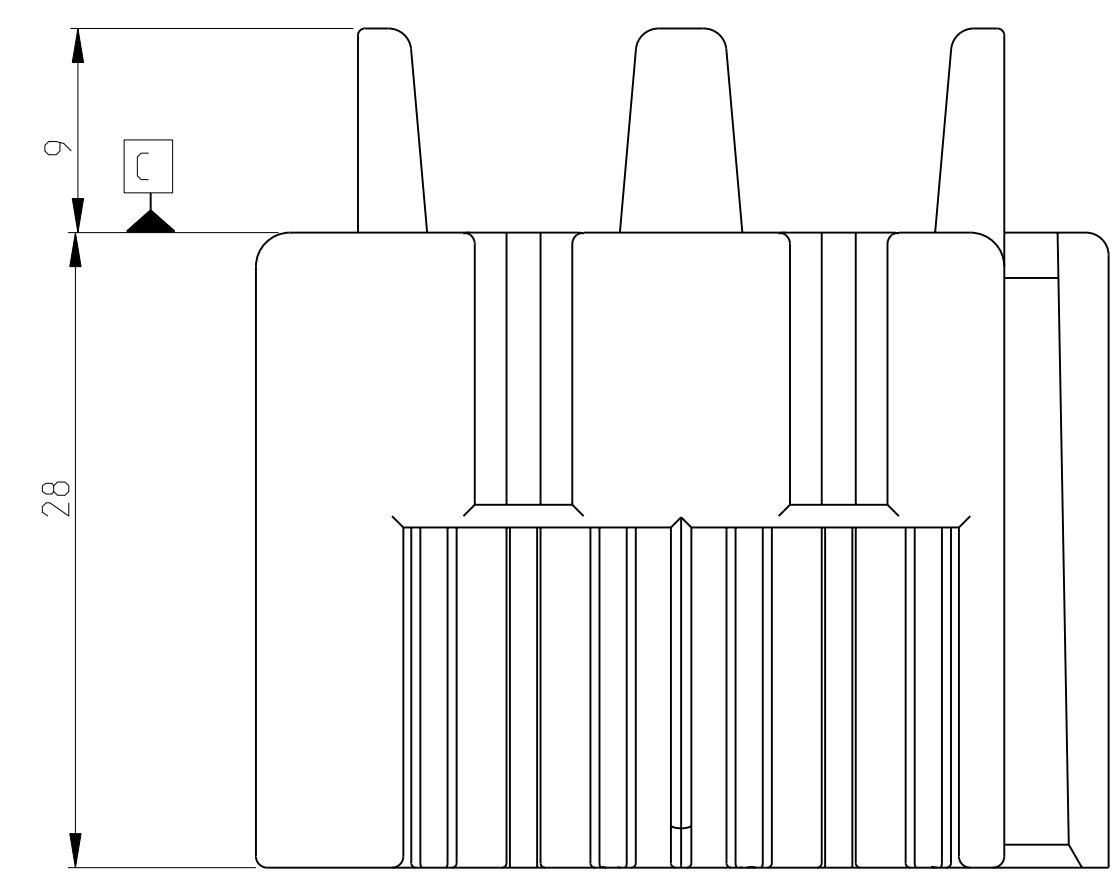
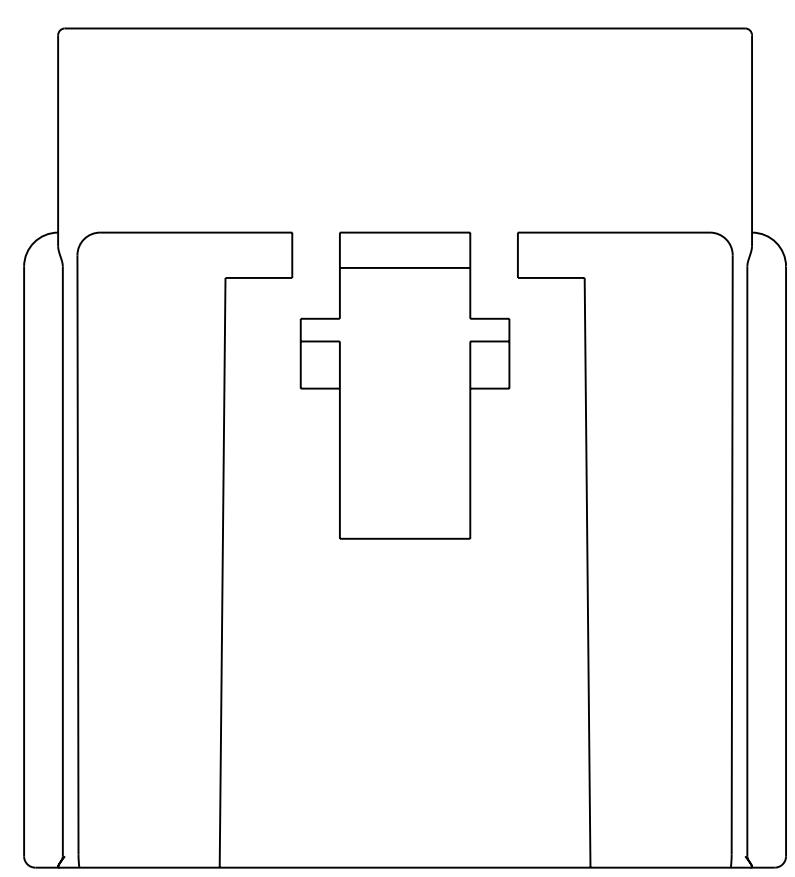
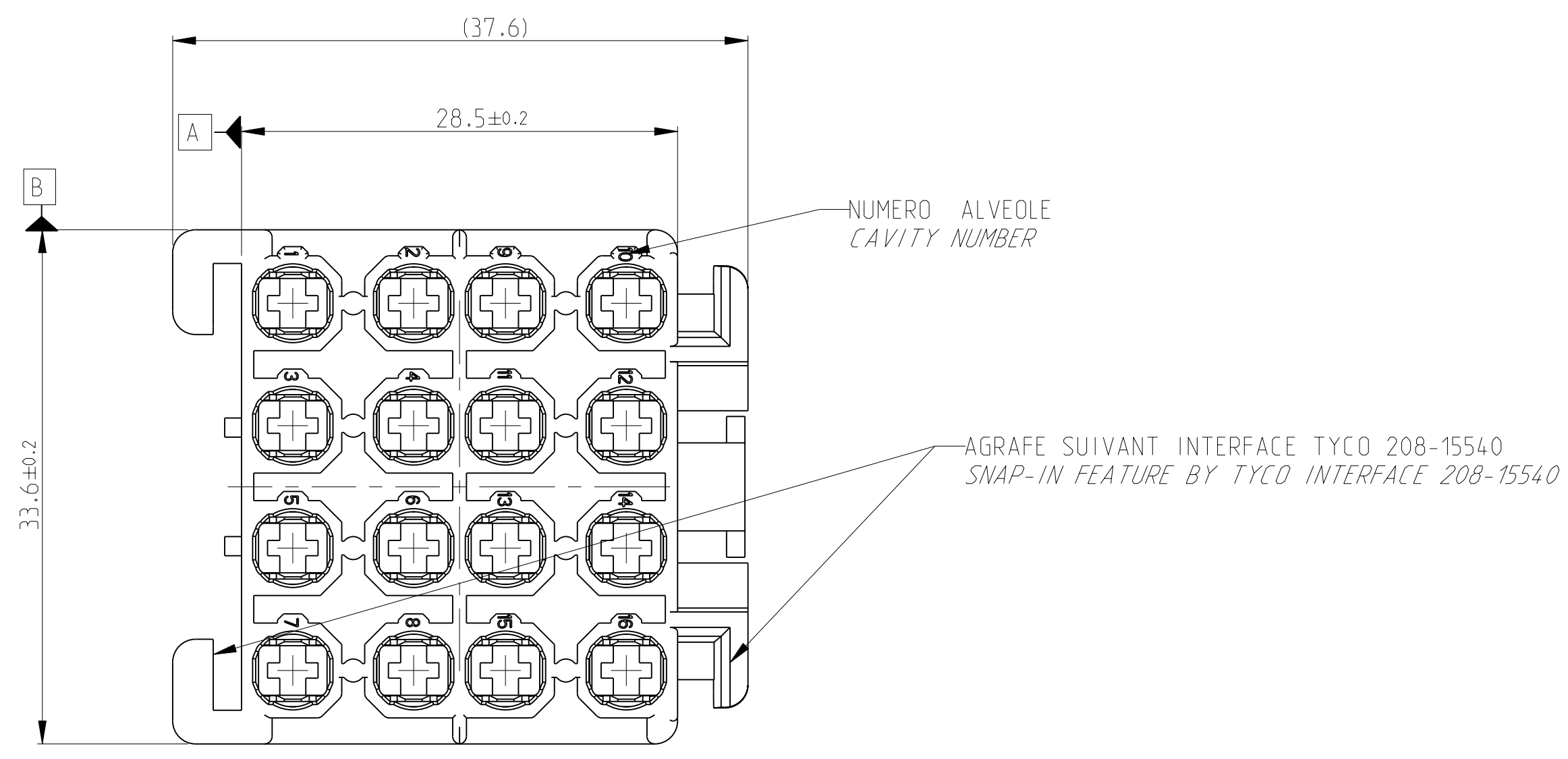
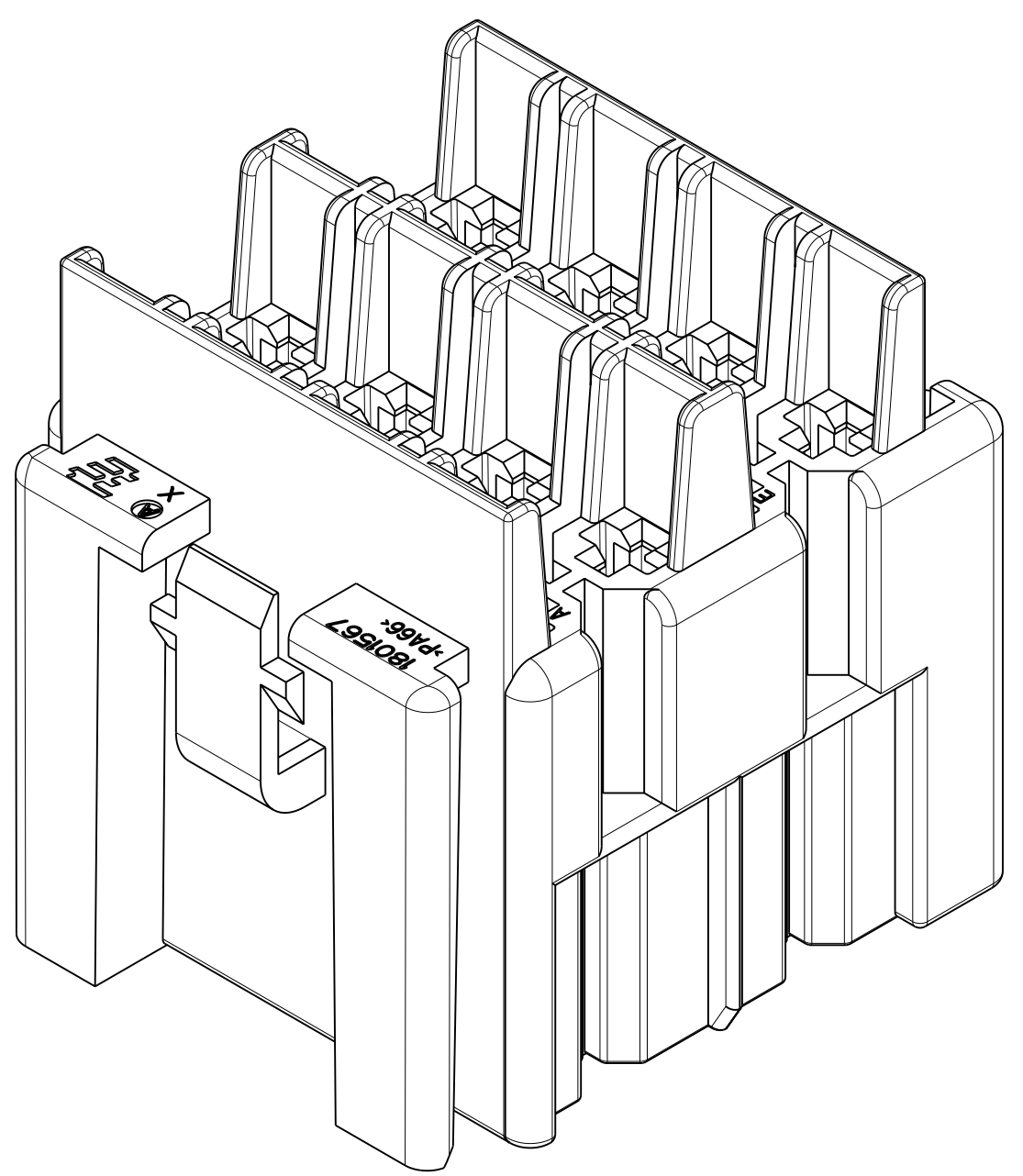


LOC		DIST		REVISIONS			
F	00	P	LTR	DESCRIPTION	DATE	DWN	APVD
		B		MODIFICATION DES ALLEGEMENTS	11SEP2009	P.B	JP.P
		C		MODIF NERVURES	30NOV2009	P.B	-



FUSIBLE MAXI FUSE MAX	15A
ALVEOLE POUR MCP MCP CAVITY FOR	4MM ² MAXI
PLAN TABLEAU DES CONTACTS MCP 2.8 PRODUCT GROUP DRAWING FOR MCP 2.8	1355036
NORME FUSIBLE FUSE NORM	ISO 8820-3
MATIERE MATERIAL	PA66

DIMENSIONS:		TOLERANCES UNLESS OTHERWISE SPECIFIED:		DWN		Tyco Electronics	
mm	9 PLC	±0.2	12	MAT 2009	Philippe BACHELOT	Tyco Electronics France SAS 95300 Pontoise, France	
	1 PLC	±0.2	12	MAT 2009	CHK JP.PICAUD	-	
	2 PLC	±0.2	12	MAT 2009	APVD J.J. REVIL	-	
	3 PLC	±0.2	12	MAT 2009	NAME	RELAI 8 MINI FUSE CONTACT AMP MCP 2.8	
	4 PLC	±0.2	12	MAT 2009	PRODUCT SPEC	HOLDER MINIFUSE 8 POS AMP MCP CONTACT	
MATERIAL	SEE TABLE	FINISH	-	APPLICATION SPEC	108-15399	SIZE	CAGE CODE
				WEIGHT	-	A	00779
				CUSTOMER DRAW ING	-	SCALE	3:1
						SHEET	1 OF 1
						REV	C