

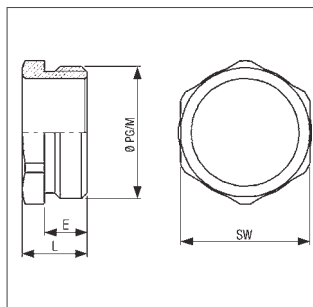
**Druckschrauben**  
Messing vernickelt  
PG-/metrisches Gewinde

**Pressure Screws**  
nickel-plated brass  
PG-/metric thread

RoHS

**Material:**  
Messing vernickelt

**Farbe(n)/Ausführungen:**  
• Außengewinde: PG/Metrisch



**Material:**  
nickel-plated brass

**Colour(s)/Designs:**  
• External thread: PG/metric

Außen- gewinde	Typ	Innendurch- messer mm	SW	Gewinde- länge (E) mm	Gesamt- länge (L) mm	Art.-Nr. vernickelt	VE Stck.
External thread	Type	Internal diameter mm	SW mm	Thread length (E) mm	Complete length (L) mm	Art. no. nickel-plated	PU pcs.
<b>PG / PG</b>							
PG 7	7/1	10,0	13,0	5,5	8,5	6600077	100
PG 9	9/1	12,5	15,0	6,0	9,0	6600093	100
PG 11	11/1	15,0	18,0	6,0	9,0	6600115	100
PG 13,5	13/5/1	17,0	20,0	7,5	10,5	6600131	100
PG 16	16/1	18,5	22,0	7,5	10,5	6600166	100
PG 21	21/1	24,0	28,0	8,0	11,5	6600212	100
PG 29	29/1	32,0	37,0	8,0	12,0	6600298	50
PG 36	36/1	42,0	47,0	9,5	14,0	6600360	50
PG 42	42/1	48,0	54,0	10,0	16,0	6600425	10
PG 48	48/1	52,5	60,0	11,5	17,5	6600484	5
<b>Metrisch / metric</b>							
M 12 x 1,5		8,5	13,0	5,0	8,0	6600800	100
M 16 x 1,5		12,5	16,0	6,0	9,0	6600801	50
M 20 x 1,5		16,0	20,0	7,0	10,0	6600802	50
M 25 x 1,5		21,0	25,0	7,0	10,0	6600803	50
M 32 x 1,5		28,0	32,0	7,0	10,0	6600804	20
M 40 x 1,5		35,0	40,0	10,0	14,0	6600805	10
M 50 x 1,5		45,0	50,0	10,0	14,0	6600806	5
M 63 x 1,5		57,0	64,0	14,5	18,5	6600807	1

3.3