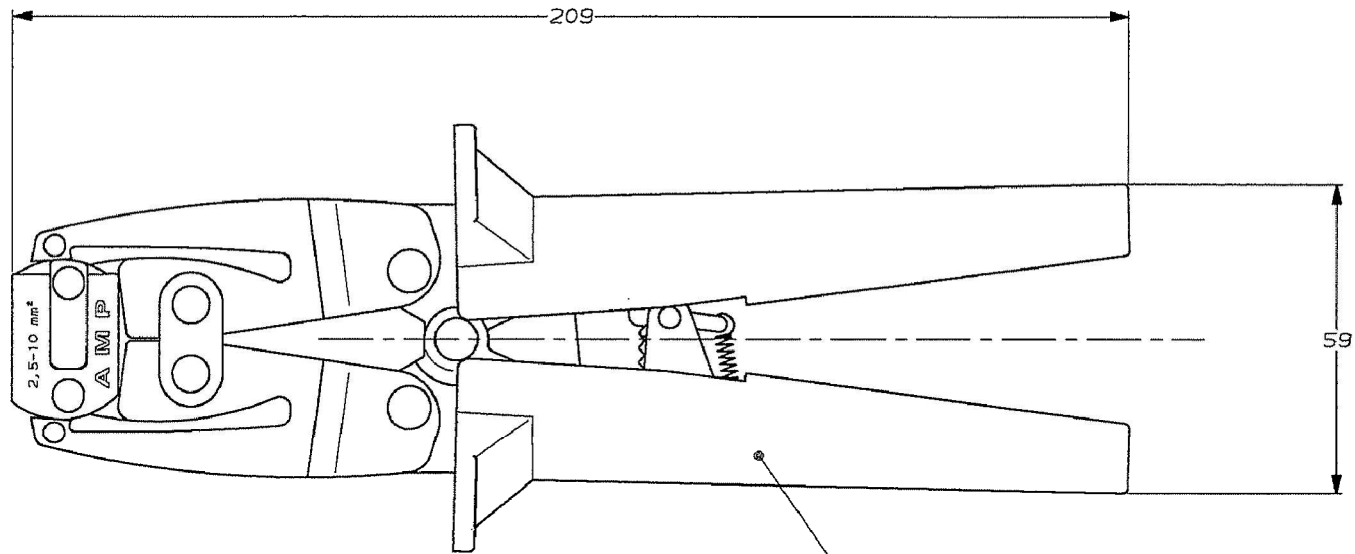


DO NOT SCALE  
DIMENSIONS IN mm

METRIC


THIRD ANGLE  
PROJECTION



COLOR : BLUE

PARTNUMBER	NAME	WIRE-SIZE "A"
734641-1	SUPERSEDED BY -2	0,14-2,5mm <sup>2</sup>
734641-2	END-SPLICE TOOL	0,14-6,0mm <sup>2</sup>
734641-3	END-SPLICE TOOL	2,5-10,0mm <sup>2</sup> (shown)
<del>734641-4</del>	<del>END SPLICE TOOL</del>	<del>10-16mm<sup>2</sup></del>

Superceded by PN 6-1579014-5

-	-	-	-	-	CUSTOMER DRAWING FOR REFERENCE ONLY WILL NOT BE UPDATED	
-	-	-	-	-	© COPYRIGHT 19- BY AMP HOLLAND B.V. ALL INTERNATIONAL RIGHTS RESERVED. AMP PRODUCTS MAY BE COVERED BY U.S. AND FOREIGN AND/OR PATENTS PENDING.	
-	-	-	-	-	THIS DRAWING IS UNPUBLISHED RELEASED FOR PUBLICATION _____, 19____	
-	-	-	-	-	 AMP HOLLAND B.V. 's-Hertogenbosch, The Netherlands.	
A4	ECR-14-013216	Wi	Wi	05SEP14	NAME END-SPLICE TOOL	
0	EH-0172-93	R.D.	R.V.	08-03-93		
LTR.	REVISION RECORD	DR.	CHK.	DATE		
DR.:	R. DAAMEN	CHK.:	R. VOS	APP.:	L.v. SOEST	DWG. No. C-734641
DATE:	08-03-93	DATE:	-	DATE:	-	REV. LTR. A4
					SHEET 1 OF 1	A3