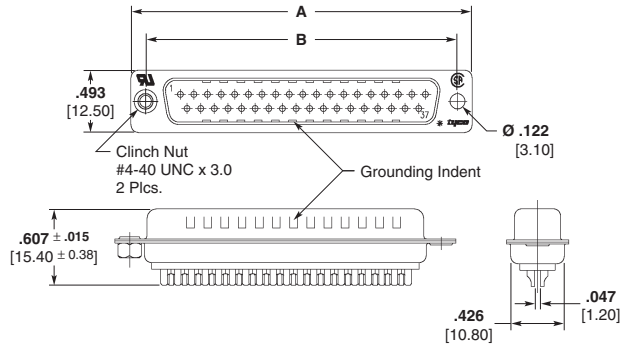


**HD-20 Solder Cup Connectors** (Continued)



**Plug**



**Material and Finish:**

**Shell**—Steel, tin or zinc plated  
**Insert**—94V-0 rated thermoplastic, black  
**Contacts**—Phosphor bronze; duplex plated with gold flash on mating end, tin on solder cup, with entire contact nickel underplated

**Related Product Data:**

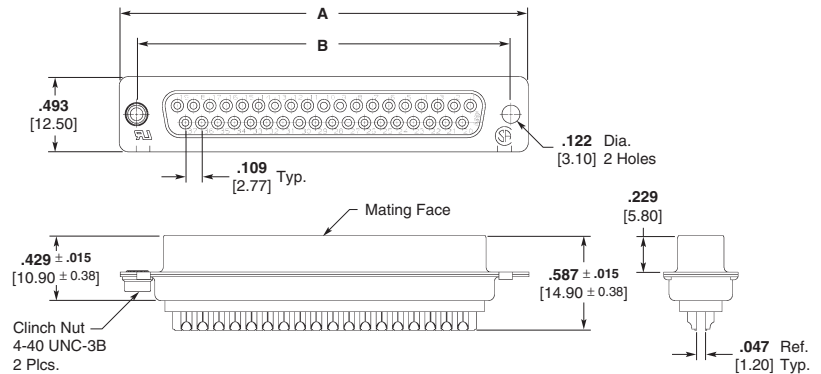
- Mateable Connectors:**  
**HDE**—pages 110-119  
**HDF**—pages 124-126  
**HDP**—pages 90-101  
**HD-20 Solder Cup**—pages 128-130  
**HD-20 Board Mount**—pages 54-71, 78-85, 87-89  
**Cable Clamps**—pages 132, 133, 135-137, 140, 141, 144, 145  
**Mating Hardware**—pages 146-150, 151-154

**Technical Documents:**

- Product Specification**  
 108-40031  
**Instruction Sheet**  
 408-9193



**Receptacle**



Shell Size	No. of Contact Positions	Dimensions		Plug Part Numbers		Receptacle Part Numbers	
		A	B	Tin Plated Shell	Zinc Plated Shell	Tin Plated Shell	Zinc Plated Shell
1	9	1.210 30.80	.984 24.99	5-747904-2	5-747904-2	5-747905-2	5-747905-2
2	15	1.544 39.20	1.313 33.32	5-747908-2	5-747908-2	5-747909-2	5-747909-2
3	25	2.089 53.01	1.853 47.04	5-747912-2	5-747912-2	5-747913-2	5-747913-2
4	37	2.734 69.40	2.502 63.50	5-747916-2	5-747916-2	5-747917-2	747917-4

**Note:** All part numbers are RoHS compliant.