

Cap Housings

Cap Housings

Utilizes Tab Contacts

Also suitable for panel mount application (see detail "X").

Locking clip not manufactured by TE Connectivity.

Technical Features

Housing Material:
Polyamide 6.6 glass-filled

Color:
Black (other colors available)
Orange (closed cavities)

Secondary Lock:
Polyamide 6.6 glass-filled

Color:
Red

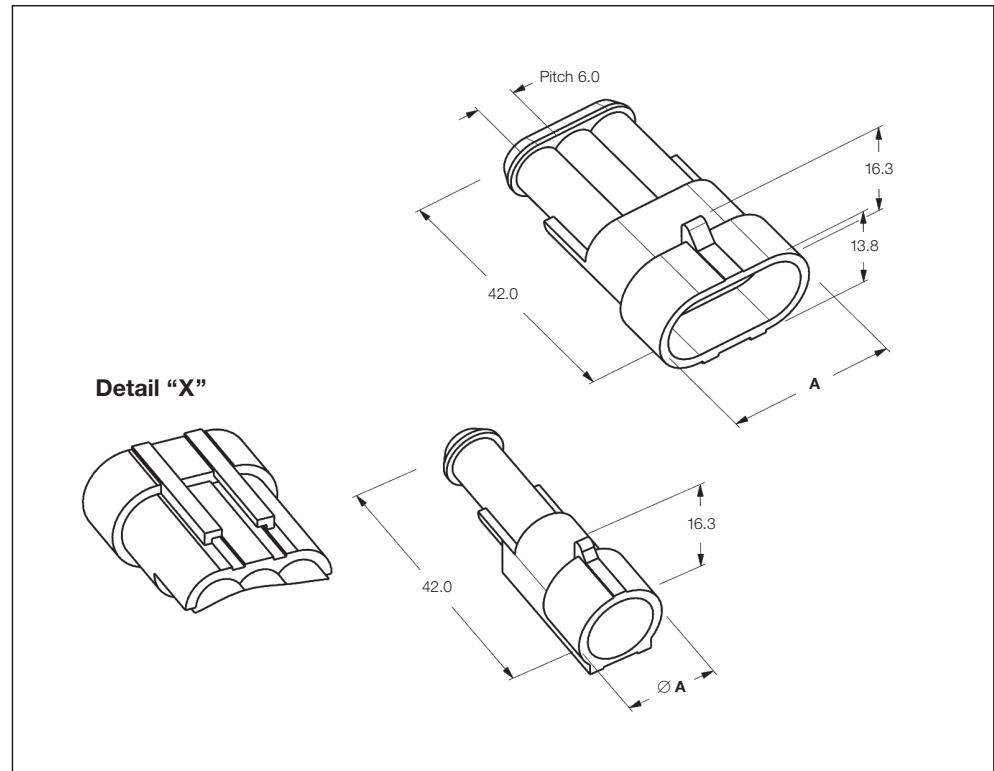
Extraction Tool for Secondary Lock of Cap Housing:

Part No. **785084-1**

Insertion Tool for Secondary Lock of Cap Housing:

Part No. **785061-1**
for 1 and 2 positions

Part No. **785061-2**
for 3–6 positions



Cap Housings

No. of Positions	Dimension A (mm)	Part Number	Package Quantity
1	13.8	282103-1	2,200
2	19.8	282104-1	1,500
3	25.8	282105-1	1,200
4	31.8	282106-1	500
5	37.8	282107-1	700
6	43.8	282108-1	550

Cap Housings with Closed Cavities

No. of Positions	Dimension A (mm)	Part Number	Package Quantity
2	19.8	1745022-1	1,500
3	25.8	1745020-1	1,200
5	37.8	1745018-1	700