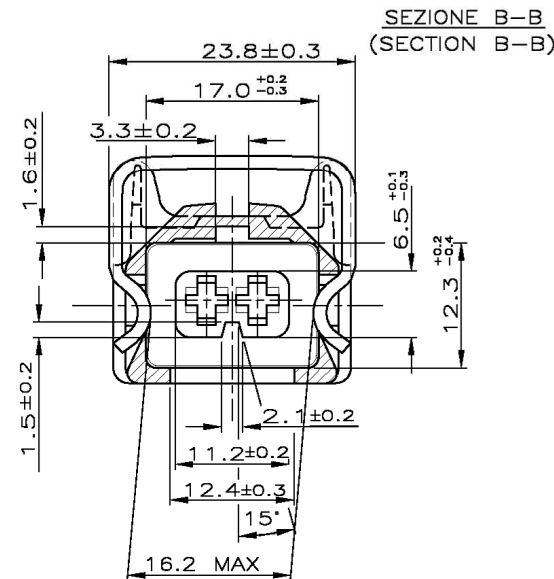
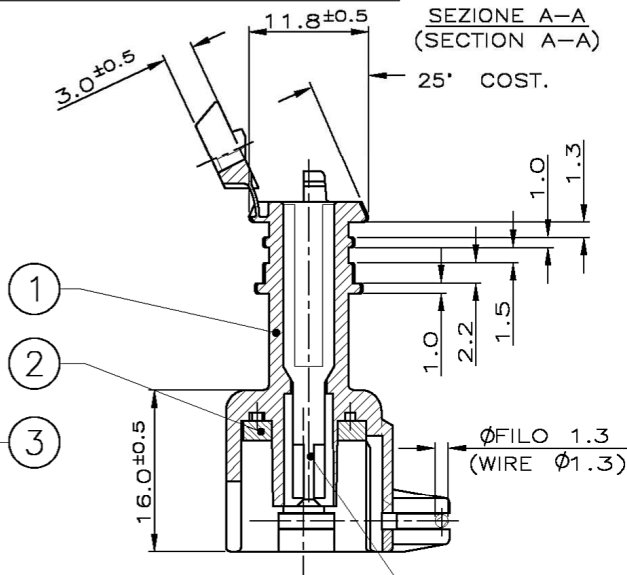
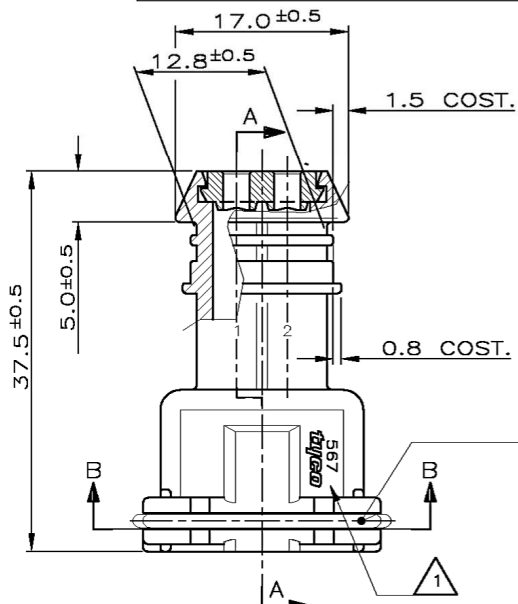
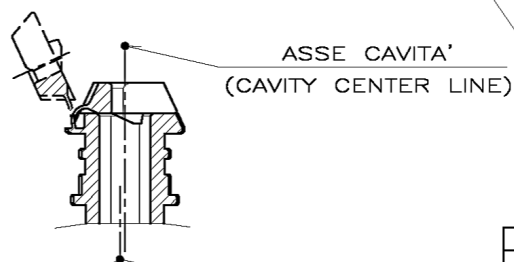
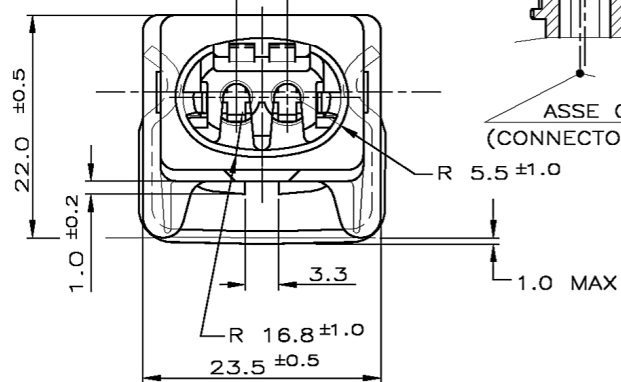


P	LTR	DESCRIPTION	DATE	DWN	APVD
L5		REVISED PER ECR-12-009660	30JUL2012	M.G.	M.G.

CONNETTORE TIPO A (CON MOLLA DI RITEGNO ESTERNA)
CONNECTOR TYPE A (WITH EXTERNAL SPRING)



PASSO 5.0±0.15
(PITCH 5.0±0.15)



TIP. CAVITA' PER TERMINALI AMP JPT P/N 929939-...
OPPURE 929937-... E RELATIVI GOMMINI
AMP P/N 828904-1, 828905-1, 282536-1.
TAPPO CAVITA' P/N 828906-2
(TYP. CAV. FOR JPT CONT. P/N 929939-... A/O 929937-... AND REL.
SINGLE WIRE SEAL P/N 828904-1, 828905-1, 282536-1
CAVITY PLUG P/N 828906-2)

METRIC

DIAM. ISOLANTE (INS. DIA. RANGE) 1.5-3.0 (REDUCED INS. CABLE)	RANGO FILO (WIRE RANGE) 0.5-2.5 mm ²
--	---

NERO (BLACK)	2-282189-1
ROSSO (RED)	282189-8
GIALLO (YELLOW)	282189-7
MARRONE (BROWN)	282189-6
BLU (BLUE)	282189-5
VERDE (GREEN)	282189-4
BIANCO (WHITE)	282189-3
GRIGIO (GREY)	282189-2
NERO (BLACK)	282189-1

CUSTOMER DWG.
FOR REFERENCE ONLY

DISEGNO PER CLIENTE
SOLO PER RIFERIMENTO

COLORE COLOR	NUMERO PART. N'	N (ITEM)	FINITURA / COLORE (FINISH / COLOUR)	MATERIALE (MATERIAL)	DESCRIZIONE (DESCRIPTION)
-----------------	--------------------	-------------	--	-------------------------	------------------------------

THIS DRAWING IS A CONTROLLED DOCUMENT.

DWN Ennio CINI NOV. 9 '90

CHK C. TARTARI 13 OCT 92

DIMENSIONS: mm	TOLERANCES UNLESS OTHERWISE SPECIFIED:
	0 PLC ± -
	1 PLC ± +0.3
	2 PLC ± +1
	3 PLC ± +1
	4 PLC ± +1
	ANGLES ± 2'
MATERIAL	FINISH

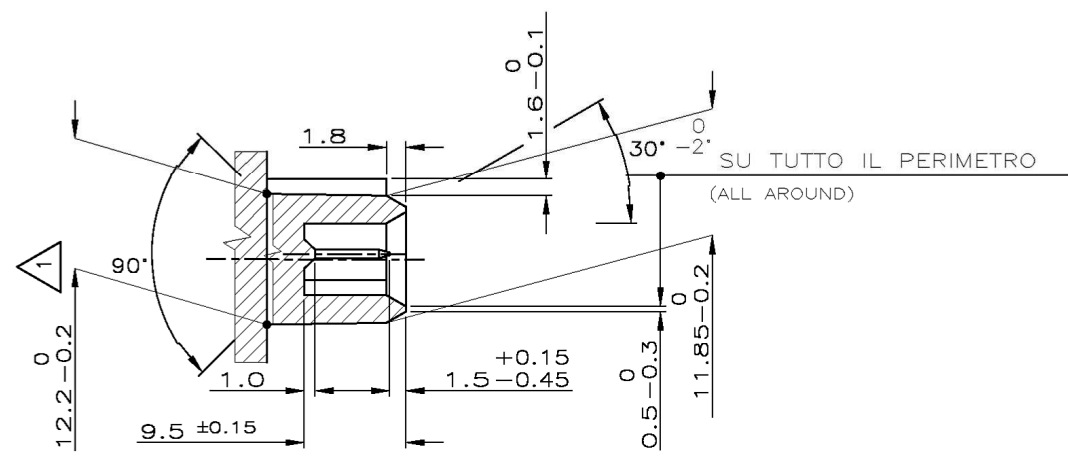
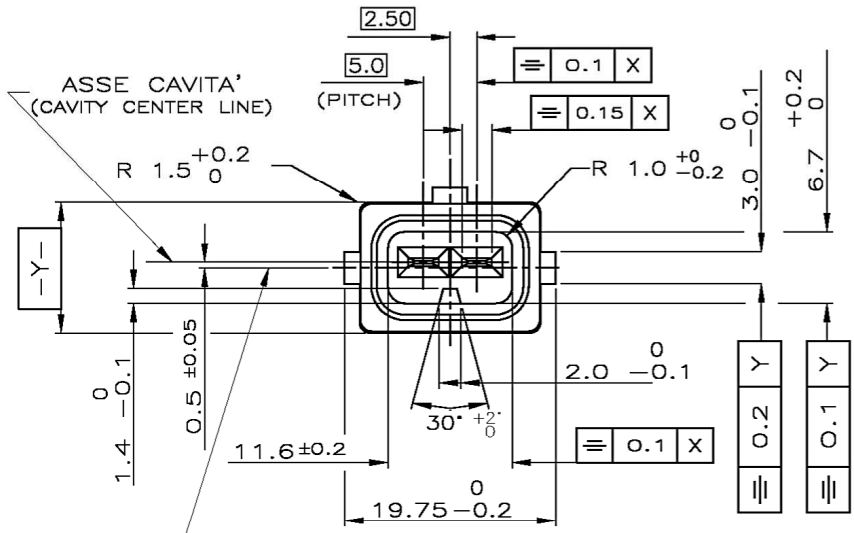
APVD	PRODUCT SPEC
APPLICATION SPEC	WEIGHT
CUSTOMER DRAWING	

NAME 2 W.SPLASH PROOF CONN.ASS'Y with SECONDARY LOCK				RESTRICTED TO
SIZE	CAGE CODE	DRAWING NO		
A3	00779	C-282189		
SCALE	SHEET	1 OF 2	REV	L5

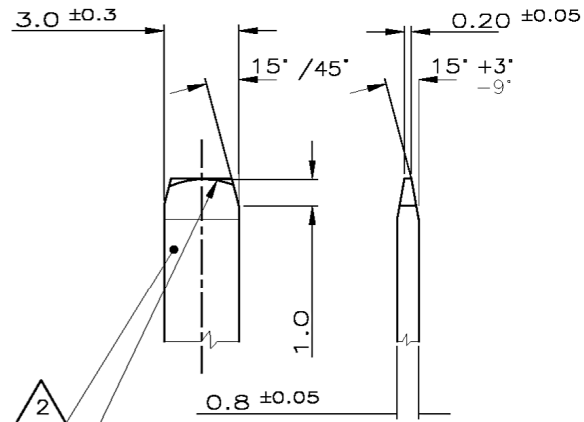
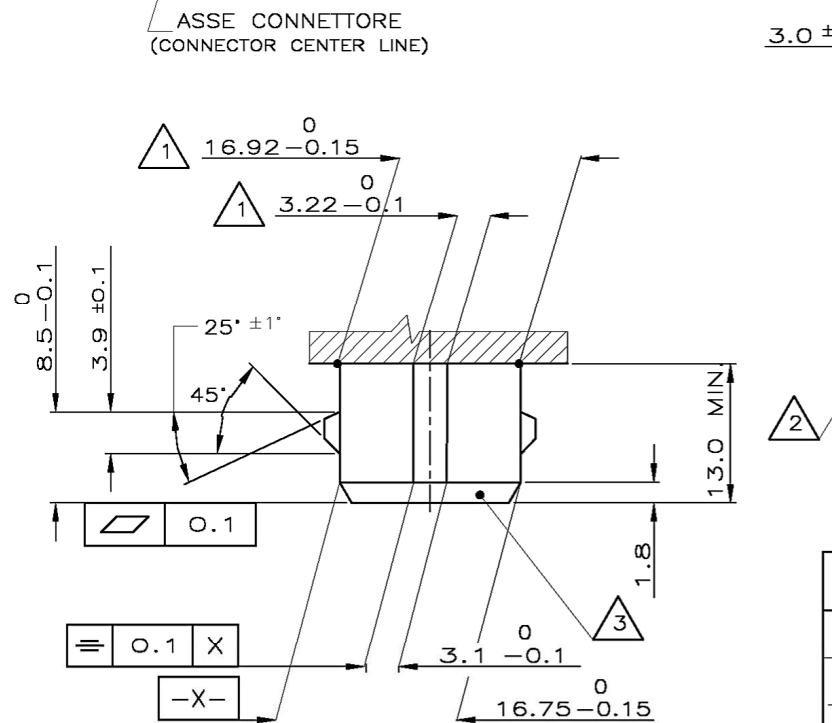
- 1 LOGO TYCO O, IN ALTERNATIVA, LOGO AMP
(TYCO LOGO OR, IN ALTERNATIVE, AMP LOGO) (AMP)
- 2 DIFFERISCE DAL ..-1 ESCLUSIVAMENTE PER IL PACKAGING
(DIFFERS FROM ..-1 ONLY FOR PACKAGING DETAILS)
- 3) PER DIMENSIONI CONTROPARTE VEDERE FOGLIO 2
(FOR COUNTERPART DIMENSIONS SEE SHEET 2)

THIS DRAWING IS UNPUBLISHED.
 RELEASED FOR PUBLICATION
 ALL RIGHTS RESERVED.

LOC		DIST		REVISIONS				
I	-	P	LTR	DESCRIPTION	DATE	DWN	APVD	
				-	SEE SHEET 1	-	-	



DETT. LINGUETTA TAB-SCALA 5:1
 (TAB DETAIL)



FORMA ALTERNATIVA PERMESSA CON RAGGIO
 (ALLOWED ALTERNATIVE PROFILE WITH RADIUS)

- 1 QUOTE APPLICABILI PER SFORMATURA PEZZO (DRAFT PERMITTED TO FACILITATE REMOVAL OF PART FROM THE MOULD)
- 2 MATERIALE LINGUETTE: LEGA DI RAME STAGNATA, ES. OTTONE STAGNATO. (TAB CONTACT MATERIAL: TIN PLATED COPPER ALLOY. E.G. BRASS TIN PLATED)
- 3 MATERIALE BLOCCHETTO: TERMOPLASTICO CARICATO FIBRA VETRO. (HOUSING MATERIAL: THERMOPLASTIC, GLASS FIBER FILLED)

METRIC	DIAM. ISOLANTE (INS. DIA. RANGE)	RANGO FILO (WIRE RANGE)
	---	---

CUSTOMER DWG. FOR REFERENCE ONLY DISEGNO PER CLIENTE SOLO PER RIFERIMENTO

THIS DRAWING IS A CONTROLLED DOCUMENT.		DWN	-	TE Connectivity	
DIMENSIONS: mm		CHK	-		
TOLERANCES UNLESS OTHERWISE SPECIFIED:		APVD	-		
0 PLC ± - 1 PLC ± ± 0.3 2 PLC ± ± ± 1 3 PLC ± ± ± ± 1 4 PLC ± ± ± ± ± 1 ANGLES ± 2'		PRODUCT SPEC	-		
MATERIAL		FINISH	-	NAME	2 POS.SPLASH PROOF CONN.ASS'Y with SECONDARY LOCK
		WEIGHT	-	SIZE	A3
				CAGE CODE	00779
				DRAWING NO	C-282189
				RESTRICTED TO	-
FINITURA / COLORE (FINISH / COLOUR)		MATERIALE (MATERIAL)	NUMERO (PART NUMBER)	CUSTOMER DRAWING	SCALE - SHEET 2 of 2 REV L5