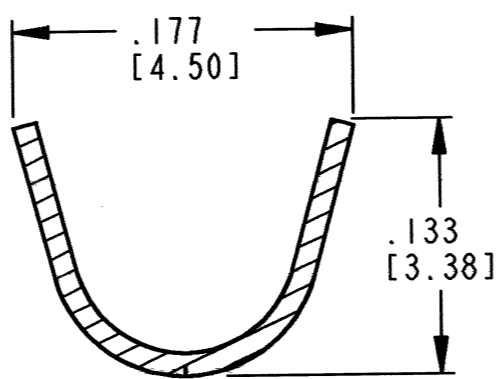


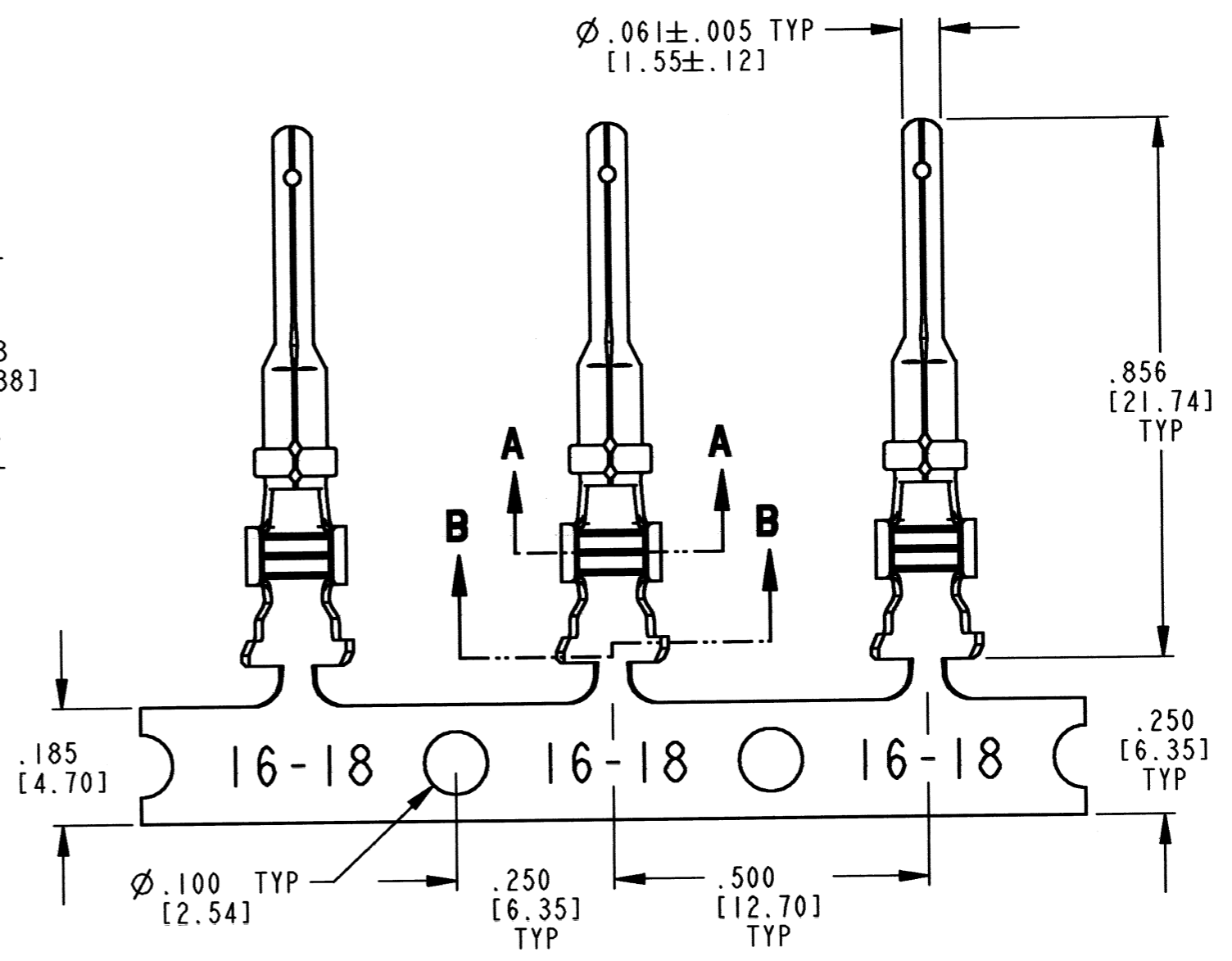
**SECTION A-A**  
CONDUCTOR WINGS



**SECTION B-B**  
INSULATION WINGS

REV H 1060-16-01 \*\*

REVISIONS			
SYM	DESCRIPTION	DATE	APPROVED
E	REDESIGNED/REDRAWN PER E.O. P16391	11-05-99	R.D.R.
F	REVISED PER E.O. P16998	12-08-00	R.D.R.
G	REVISED PER E.O. P19555	7-11-07	R.D.R.
H	REVISED PER E.O. P20396	6-25-10	RDR



1. DIMENSIONS ARE IN INCHES [mm].
2. DIMENSIONAL TOLERANCE:  $\pm .025$  [0.63].
3. ONE REEL CONTAINS APPROXIMATELY 4000 CONTACTS.
4. THIS CONTACT MAY BE CRIMPED WITH DCT16-02-00 AUTOMATIC DIE, DTT-16-00 OR DTT-16-01 HAND TOOLS. SEE DRAWING 0425-203-0000 FOR APPLICABLE WIRE SIZE, INSULATION DIAMETER RANGE, AND CRIMPING INFORMATION.
5. SEE 0425-015-0000 FOR CONTACT PERFORMANCE AND WIRE APPLICATION CHARACTERISTICS.
6. WHEN \*\* = 22 PLATING IS NICKEL.  
 \*\* = 44 PLATING IS GOLD.  
 \*\* = 77 PLATING IS TIN.
7. MATERIAL: COPPER ALLOY.

NOTES: UNLESS OTHERWISE SPECIFIED

SIGNATURE & DATE	
DR	J. APOSTOL 03DEC2009
CHK	D. Meyer 6/25/10
PE	D. Meyer 6/25/10
APPD	R. Reed 6-25-10
SCALE	NONE
WT	—

**STAMPED CONTACT PIN**  
**SIZE 16**  
 ENVELOPE

EP	MATL. CODE
3850 INDUSTRIAL AVE. HEMET, CA 92545 <b>DEUTSCH INDUSTRIAL</b>	
<b>B</b>	<b>1060-16-01 **</b>
DWG SIZE	CODE 11139 SHEET   OF