

Receptacle Contacts

Technical Features

Contact Material:

CuSn, CuFe, CuNiSi
Cantilever Spring: Stainless Steel

Contact Finish:

- tin plated
- silver plated
- selective gold plated

Wire Size Range:

0.2-2.5 mm²
FLK and FLR

Contact Resistance (New State):

CuFe: <2 mΩ
CuSn: <3 mΩ

Total Temperature max.:

- 40 °C to +130 °C (tin plated)
- 40 °C to +140 °C (silver plated)
- 40 °C to +150 °C (gold plated)

Mating Cycles:

- 10 (tin plated)
- 50 (silver plated)
- 100 (gold plated)

Insertion Force*:

max. 15 N

Extraction Force*:

min. 1.5 N

Retention Force:

- from housings without second locking device min. 100 N
- from housings only second locking device min. 60 N

Dimensions of Male Contacts:

2.8 mm x 0.8 mm

Centerlines (Standard/SWS):

- 5.0 x 5.5 mm
- 5.0 x 5.0 mm (Staggered)

Extraction Tool:

Part No. **968107-1**
Part No. **1-1579007-6**

Product Group Drawing:

1355046
1355047 (Modified Spring)

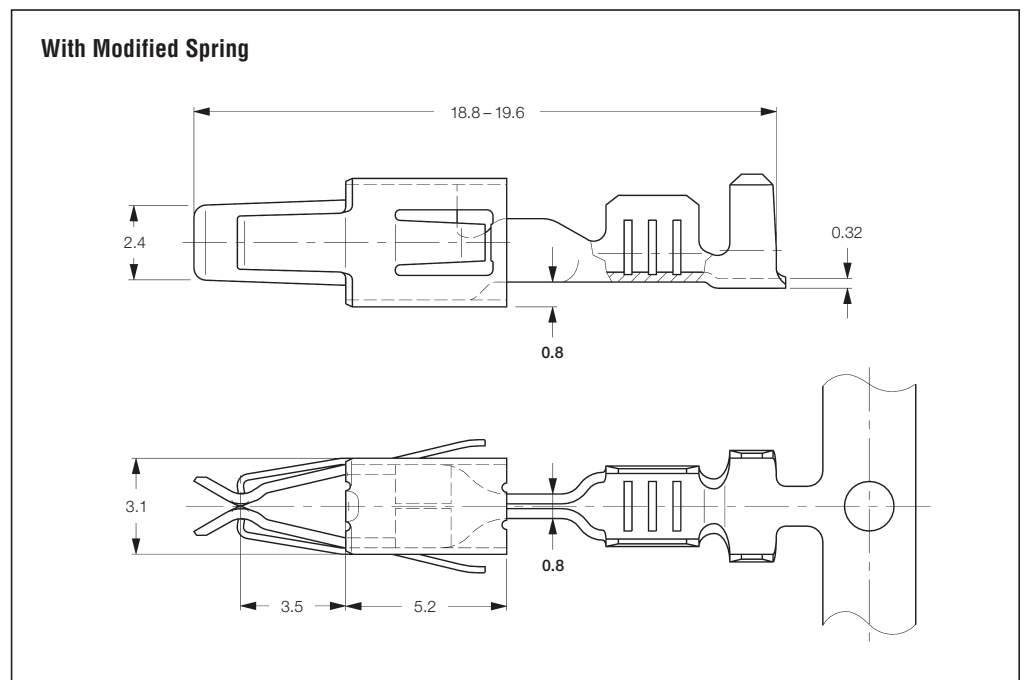
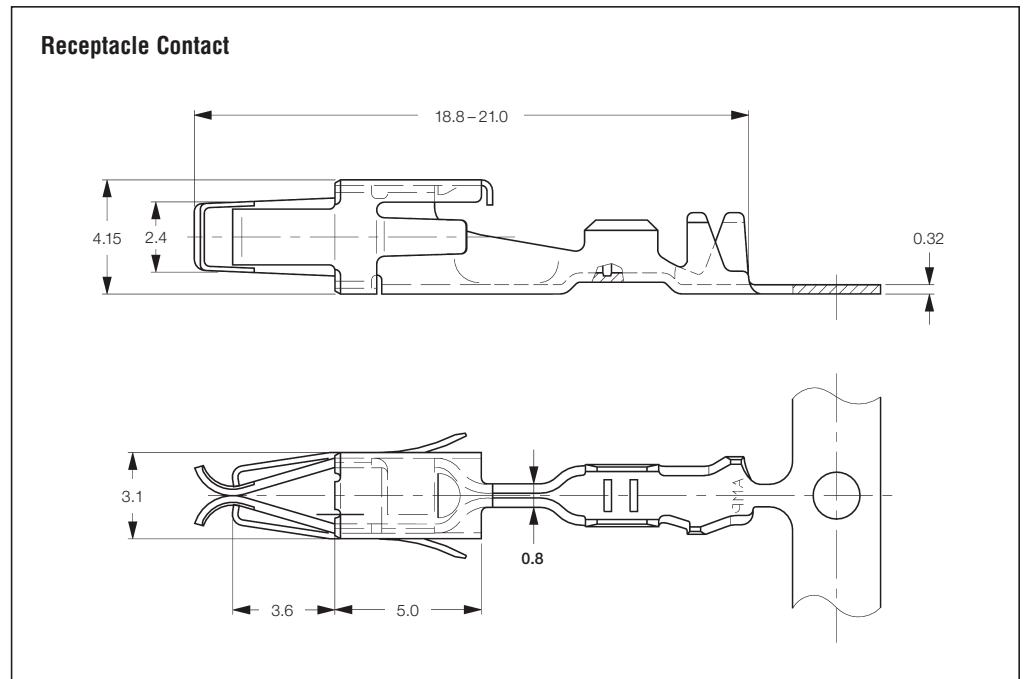
Product Specification:

108-18013

Application Specification:

114-18050

*) Measured with an Steel Test Tab (see Product Spec. 108-18279).



Max. Current in 7 Positions Housing

Material	Temperature (° C)	Current Carrying Capacity (Ampere)		
		1.0 mm ²	1.5 mm ²	2.5 mm ²
CuSn	20	16.0	20.0	25.0
	90	7.5	9.5	12.0
CuFe	20	15.0	19.0	22.5
	90	7.0	9.0	11.0

Receptacle Contacts (continued)

Standard Receptacle Contacts (Length 18.8 mm)

Wire Size Range (mm ²)	Insulation Diameter (mm)		Material and Finish*	Part Numbers					
	FLK	FLR		Strip Form	Package Quantity	Loose-Piece	Package Quantity	Applicator*	Hand Tool 539635-1 with Die Set
0.22-0.50	1.15-2.30	-	-1 / -3 / 1-xxx-1	927778	4,000	927780	500	1528407	539744-2
			-1	967259**	4,500	967260**	500		
			-1	969137***	4,000	969138***	500		
0.5-1.0	2.0-2.7	-	-1 / -3 / -6 / -7 / 1-xxx-1 / 2-xxx-1	927775	4,000	927783	500	1426141	539674-2
			-1 / -3	928876****	4,000	-	-	1426141	539674-2
1.5-2.5	2.7-4.1	-	-1 / -3 / -6 / 1-xxx-1 / 2-xxx-1	927773	3,000	927781	500	1528385	539674-2
0.2-0.5	-	1.0-1.6	-1 / -3 / -6 / -8 / 1-xxx-1 / 2-xxx-1	927774	4,000	927776	500	1528032	539737-2
0.5-1.0	-	1.4-2.3	-1 / -3 / -6 / -8 / -9 / 1-xxx-1 / 2-xxx-1	927771	3,750	927779	500	1528029	539674-2
			-1	965901***	4,000	965902***	500	1528029	539674-2
			-1*	928810**	4,000	-	-	1528029	539674-2
1.5-2.5	-	2.1-3.1	-1 / -3 / -6 / -8 / -9 / 1-xxx-1 / 2-xxx-1	927768	3,500	927777	500	1528045	539742-2
			-1	963884**	3,500	963885**	500	1528045	539674-2
			-1	965899***	3,500	965900***	500	1528045	539674-2
0.08-0.22	1.5-1.8 Special Version	-	-1 / -3 / -6 / 1-xxx-1 / 2-xxx-1	963708	4,000	963777	500	878599	Complete Hand Tool 734414-1

Receptacle Contacts with Single Wire Sealing System (Length 18.8 mm)

Wire Size Range (mm ²)	Insulation Diameter (mm)		Material and Finish*	Part Numbers					
	FLK	FLR		Strip Form	Package Quantity	Loose-Piece	Package Quantity	Applicator*	Hand Tool 539635-1 with Die Set
0.22-0.38	1.15-1.60	-	-1 / -3 / 1-xxx-1	927772	3,700	929931	500	1528027	
0.5-1.0	2.0-2.7	-	-1 / -3 / -6 / -8 / 1-xxx-1 / 2-xxx-1	927770	3,750	929930	500	1528006	
			-1	929280**	3,750	929281**	500	1528006	
1.5-2.5	2.7-3.0	-	-1 / -3 / -8 / 1-xxx-1 / 2-xxx-1	927766	3,750	929929	500	1528275	539737-2
0.35-0.50	-	1.15-1.60	-1 / -3 / 1-xxx-1	927772	3,700	929931	500	1528027	
0.5-1.0	-	1.4-2.1	-1 / -3 / -6 / -8 / 1-xxx-1 / 2-xxx-1	927770	3,750	929930	500	1528006	
1.5-2.5	-	2.2-3.0	-1 / -3 / -8 / 1-xxx-1 / 2-xxx-1	927766	3,750	929929	500	1528275	

***) Material and Finish:**

- xxx-1 = CuFe, pre-tin plated
- xxx-1* = CuSn, pre-tin plated
- xxx-3 = CuSn, pre-tin plated
- xxx-6 = CuSn, selective pre-silver plated
- xxx-7 = CuFe, pre-tin plated, Special Test
- xxx-8 = CuSn, selective gold plated, Spring: gold plated
- xxx-9 = CuSn, selective gold and tin plated
- 1-xxx-1 = CuFe, selective gold plated
- 2-xxx-1 = CuSn, selective gold plated

Remarks:

- ***) Gap Size 0.30 mm
- ****) Gap Size 0.65 mm
- *****) Gap Size 0.15 mm

*) The pre- and suffix for the applicators depends on the applied termination equipment.

Receptacle Contacts (continued)

Receptacle Contacts with Single Wire Sealing System (Length 21.0 mm)

Wire Size Range (mm ²)	Insulation Diameter (mm)		Material and Finish*	Part Numbers					
	FLK	FLR		Strip Form	Package Quantity	Loose-Piece	Package Quantity	Applicator*	Hand Tool 539635-1 with Die Set
0.22-0.38	1.15-1.60	-	-1 / -3 / -6 / 1-xxx-1 / 2-xxx-1	929941	3,750	929942	500	1528027	
0.5-1.0	2.0-2.7	-	-1 / -3 / -6 / 1-xxx-1 / 2-xxx-1	929939	3,750	929940	500	1528006	
1.5-2.5	2.7-3.0	-	-1 / -3 / -6 / 1-xxx-1 / 2-xxx-1	929937	3,700	929938	500	1528275	
0.35-0.50	-	1.15-1.60	-1 / -3 / -6 / 1-xxx-1 / 2-xxx-1	929941	3,750	929942	500	1528027	539737-2
0.5-1.0	-	1.4-2.1	-1 / -3 / -6 / 1-xxx-1 / 2-xxx-1	929939	3,750	929940	500	1528006	
1.5-2.5	-	2.2-3.0	-1 / -3 / -6 / 1-xxx-1 / 2-xxx-1	929937	3,700	929938	500	1528275	

***) Material and Finish:**

xxx-1 = CuFe, pre-tin plated
xxx-3 = CuSn, pre-tin plated
xxx-6 = CuSn, selective pre-silver plated

1-xxx-1 = CuFe, selective gold plated
2-xxx-1 = CuSn, selective gold plated

*) The pre- and suffix for the applicators depends on the applied termination equipment.

Standard Receptacle Contacts with Modified Spring (Length 18.8 mm)

Wire Size Range (mm ²)	Insulation Diameter (mm)		Material and Finish*	Part Numbers					
	FLK	FLR		Strip Form	Package Quantity	Loose-Piece	Package Quantity	Applicator*	Hand Tool 539635-1 with Die Set
0.22-0.50	-	1.15-1.60	-1 / -2 / 1-xxx-1 / 2-xxx-1 / 4-xxx-1	964280	4,500	964279	500	1528004	
			-1 / 4-xxx-1	1241862**	3,500	1241863**	500	-	
0.5-1.0	-	1.4-2.1	-1 / -2 / -6 / 1-xxx-1 / 2-xxx-1 / 4-xxx-1	964284	4,000	964283	500	1528097	539664-2
			-1 / 4-xxx-1	1241866**	3,500	1241867**	500	-	
1.5-2.5	-	2.2-3.0	-1 / -2 / -6 / 1-xxx-1 / 2-xxx-1 / 4-xxx-1	965999	3,500	964346	500	1528001	
			-1 / 4-xxx-1	1241870**	3,500	1241871**	500	1528001	
2.5-4.0	-	2.7-3.7	-2	1241978	2,700	1241977	500	1528202	-

Receptacle Contacts with Modified Spring and Single Wire Sealing System (Length 19.6 mm)

Wire Size Range (mm ²)	Insulation Diameter (mm)		Material and Finish*	Part Numbers					
	FLK	FLR		Strip Form	Package Quantity	Loose-Piece	Package Quantity	Applicator*	Hand Tool 539635-1 with Die Set
0.2-0.5	-	1.2-2.3	-1 / -2 / 1-xxx-1 / 2-xxx-1 / 4-xxx-1	964282	3,500	964281	500	1528025	
			-1 / 4-xxx-1	1241864**	3,500	1241865**	500	-	
0.5-1.0	-	1.4-2.7	-1 / -2 / 1-xxx-1 / 2-xxx-1 / 4-xxx-1	964286	3,500	964285	500	1528101	539650-2
			-1 / 4-xxx-1	1241868**	3,500	1241869**	500	-	
1.5-2.5	-	2.2-3.0	-1 / -2 / 1-xxx-1 / 2-xxx-1 / 4-xxx-1	964273	3,500	964287	500	1528026	
			-1 / 4-xxx-1	1241872**	3,500	1241873**	500	1528026	

***) Material and Finish:**

xxx-1 = CuFe, pre-tin plated
xxx-2 = CuSn, pre-tin plated
xxx-6 = CuSn, selective pre-silver plated

1-xxx-1 = CuFe, selective gold plated
2-xxx-1 = CuSn, selective gold plated
4-xxx-1 = CuNiSi, selective gold plated

Remarks:

***) Gap Size 0.3 mm

*) The pre- and suffix for the applicators depends on the applied termination equipment.