

Tab Contacts

**Technical Features**

**Contact Material:**

CuZn (Tab)  
CuSn (Receptacle)

**Contact Finish:**

tin plated, gold plated

**Current Carrying Capacity:**

14 A max.

**Wire Size Range:**

0.35–2.5 mm<sup>2</sup>

**Insulation Diameter:**

1.2–3.3 mm FLR

**Extraction Tool:**

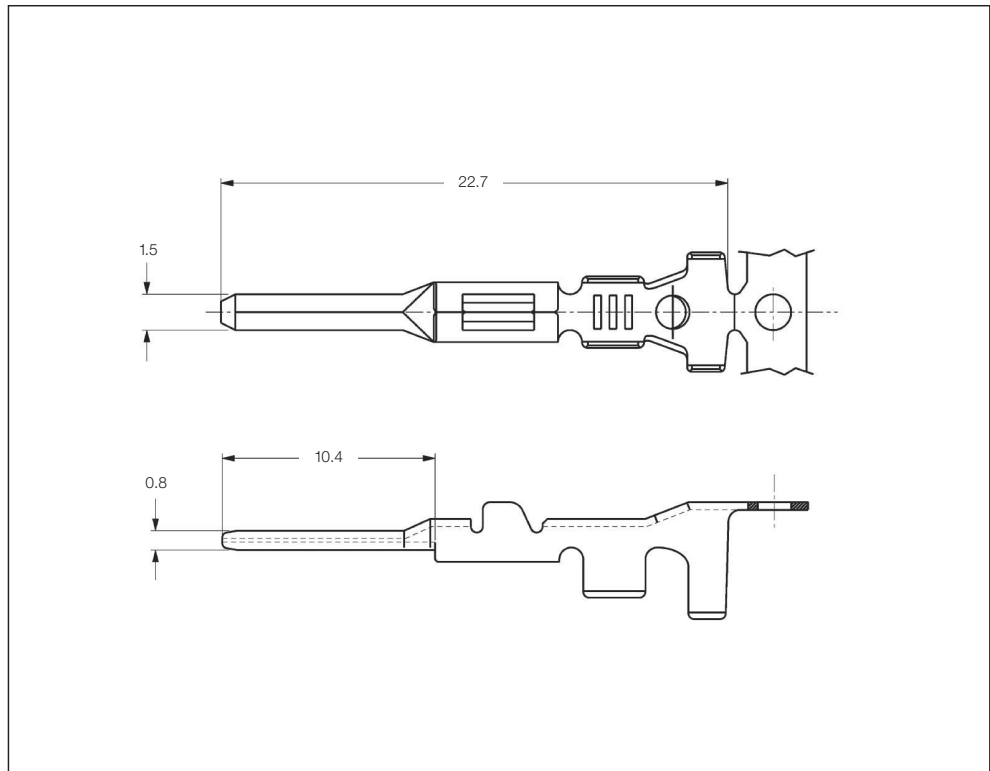
Part No. **9-1579007-1**

**Product Specification:**

108-20090

**Application Specification:**

114-20045



**1.5 mm Tab Contacts**

Wire Size Range (mm <sup>2</sup> )	Insulation Diameter (mm)		Material and Finish	Part Numbers				Applicator*	Hand Tool
	FLK	FLR		Strip Form	Package Quantity	Loose-Piece	Package Quantity		
0.35–0.50	1.45–2.20	1.2–1.6	CuZn, tin plated	282404-1	16,000	183036-1	5,000	x-1528199-x	2031676-1
			CuZn, gold plated	282404-3	16,000	–	–		
0.75–1.50	2.40–3.35	1.7–2.4	CuZn, tin plated	282109-1	16,000	183024-1	5,000	x-1528463-x	2031676-1
			CuZn, gold plated	282109-3	16,000	–	–		
1.5–2.5	3.15–3.80	2.2–3.3	CuZn, tin plated	282465-1	16,000	–	–	x-1528200-x	–

**Note:** All part numbers are RoHS and ELV compliant.

\*) The pre- and suffix for the applicators depends on the applied termination equipment.