

Receptacle Contacts

Technical Features

Contact Material:

CuZn (Tab)

CuSn (Receptacle)

Contact Finish:

tin plated

Current Carrying Capacity:

14 A max.

Wire Size Range:

0.35–2.5 mm²

Insulation Diameter:

1.2–3.3 mm FLR

Extraction Tool:

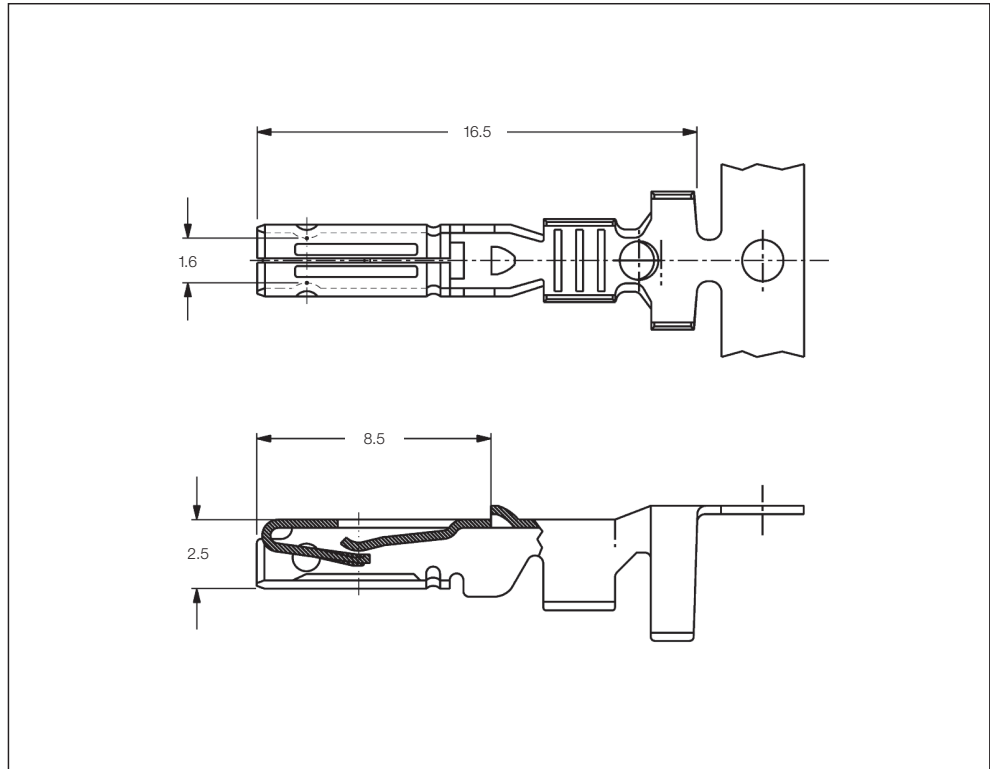
Part No. **9-1579007-1**

Product Specification:

108-20090

Application Specification:

114-20045



1.5 mm Receptacle Contacts

Wire Size Range (mm ²)	Insulation Diameter (mm)		Material and Finish	Part Numbers				Applicator*	Hand Tool
	FLK	FLR		Strip Form	Package Quantity	Loose-Piece	Package Quantity		
0.35–0.50	1.45–2.20	1.2–1.6	CuSn, tin plated	282403-1	14,000	183035-1	5,000	x-1528347-x	2031676-1
0.75–1.50	2.40–3.35	1.7–2.4	CuSn, tin plated	282110-1	14,000	183025-1	5,000	x-1528018-x	2031676-1
1.5–2.5	3.15–3.80	2.2–3.3	CuSn, tin plated	282466-1	14,000	–	–	x-1426361-x	–

Note: All part numbers are RoHS and ELV compliant.

* The pre- and suffix for the applicators depends on the applied termination equipment.