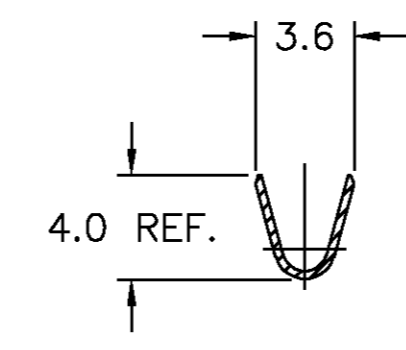
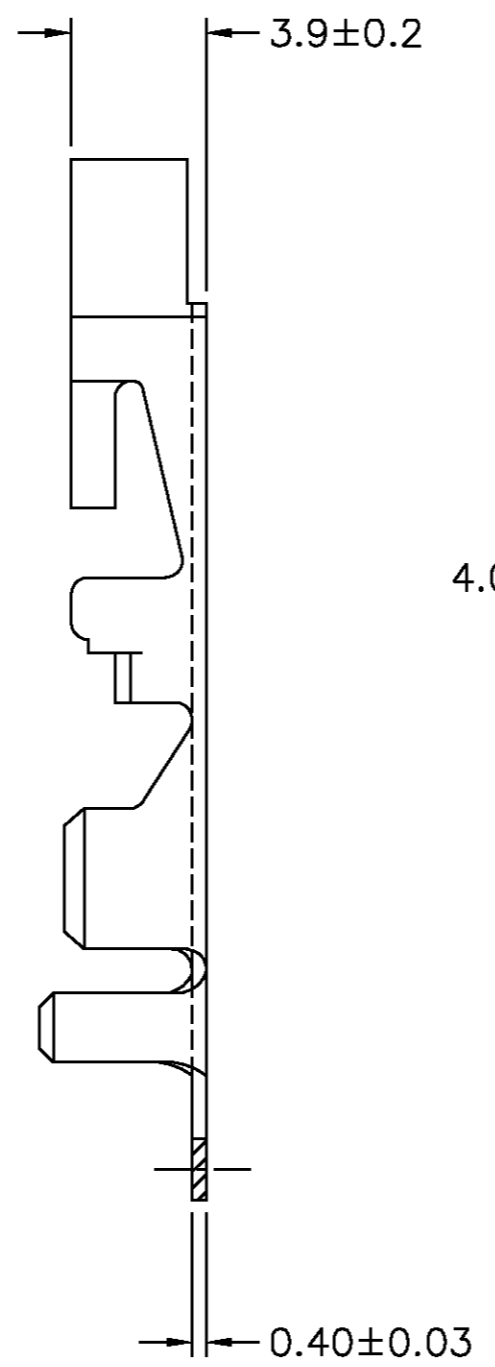
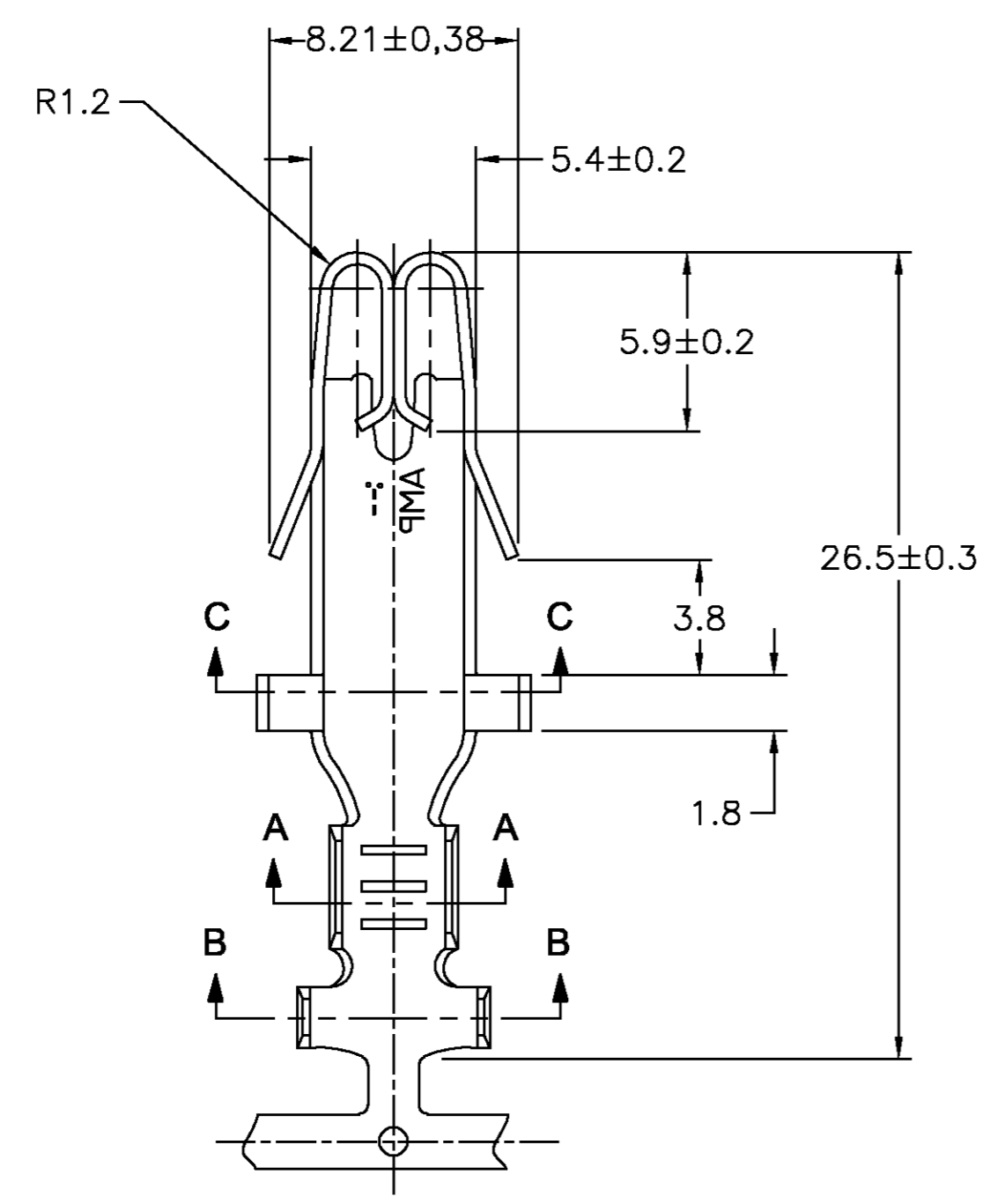


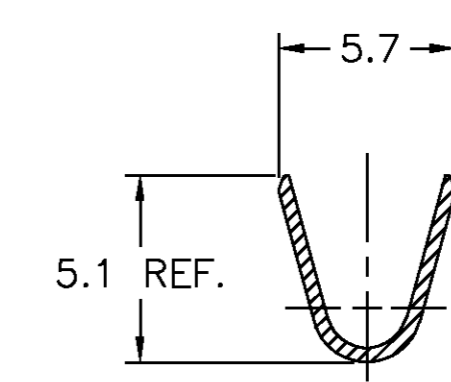
THIS DRAWING IS UNPUBLISHED. RELEASED FOR PUBLICATION
 BY AMP INCORPORATED. ALL RIGHTS RESERVED.

CAD
 DO NOT REVISE
 EXCEPT BY CAD

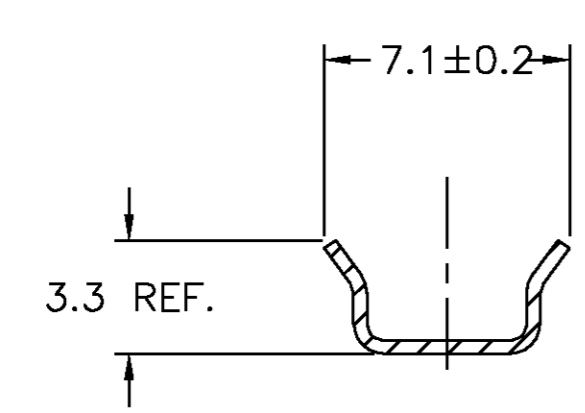
LOC	DIST	REVISIONS			
P	LTR	DESCRIPTION	DATE	DWN	APVD
J1		REVISED BY ECO-07-023413	18OCT07	NCL	MR



SECTION A-A



SECTION B-B



SECTION C-C

WIRE RANGE >1,0-2,5mm ²	PRE-ESTANHADO/PRE TINNED	LATÃO/BRASS	880398-2
INSUL. RANGE Ø2,3-3,5mm	OTHER TREATMENT	LATÃO/BRASS	880398-1
THIS DRAWING IS A CONTROLLED DOCUMENT.		FINISH	MATERIAL
DIMENSIONS: MM	TOLERANCES UNLESS OTHERWISE SPECIFIED:	NAME	
0 PLC ± -	1 PLC ± 0,5	AMP do BRASIL Ltda.	
2 PLC ± -	3 PLC ± -	São Paulo - Brasil	
4 PLC ± -	ANGLES ± 1'	FUSE CONTACT	
MATERIAL SEE TABLE	FINISH SEE TABLE	APVD J.M.M.NETO	RESTRICTED TO
		PRODUCT SPEC	
		APPLICATION SPEC	
		WEIGHT	
		SIZE	
		CAGE CODE	
		DRAWING NO	
		SCALE	
		SHEET	
		REV	
		CUSTOMER DRAWING	
		SCALE 2:1	
		SHEET 1 OF 1	
		REV J1	

880398