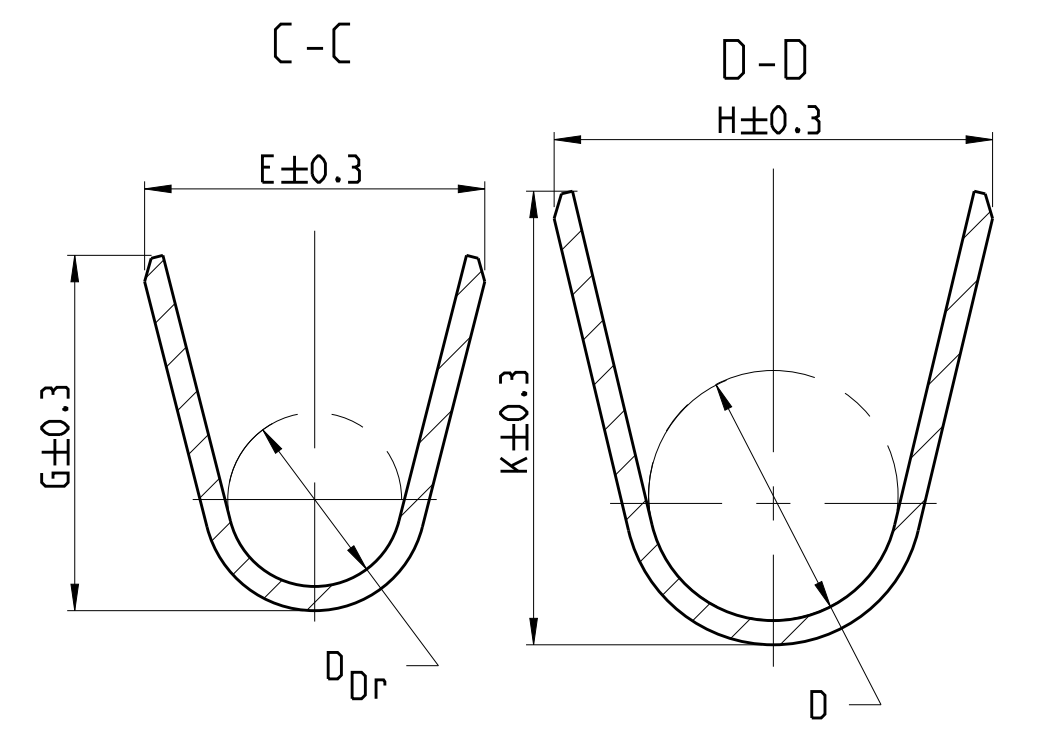
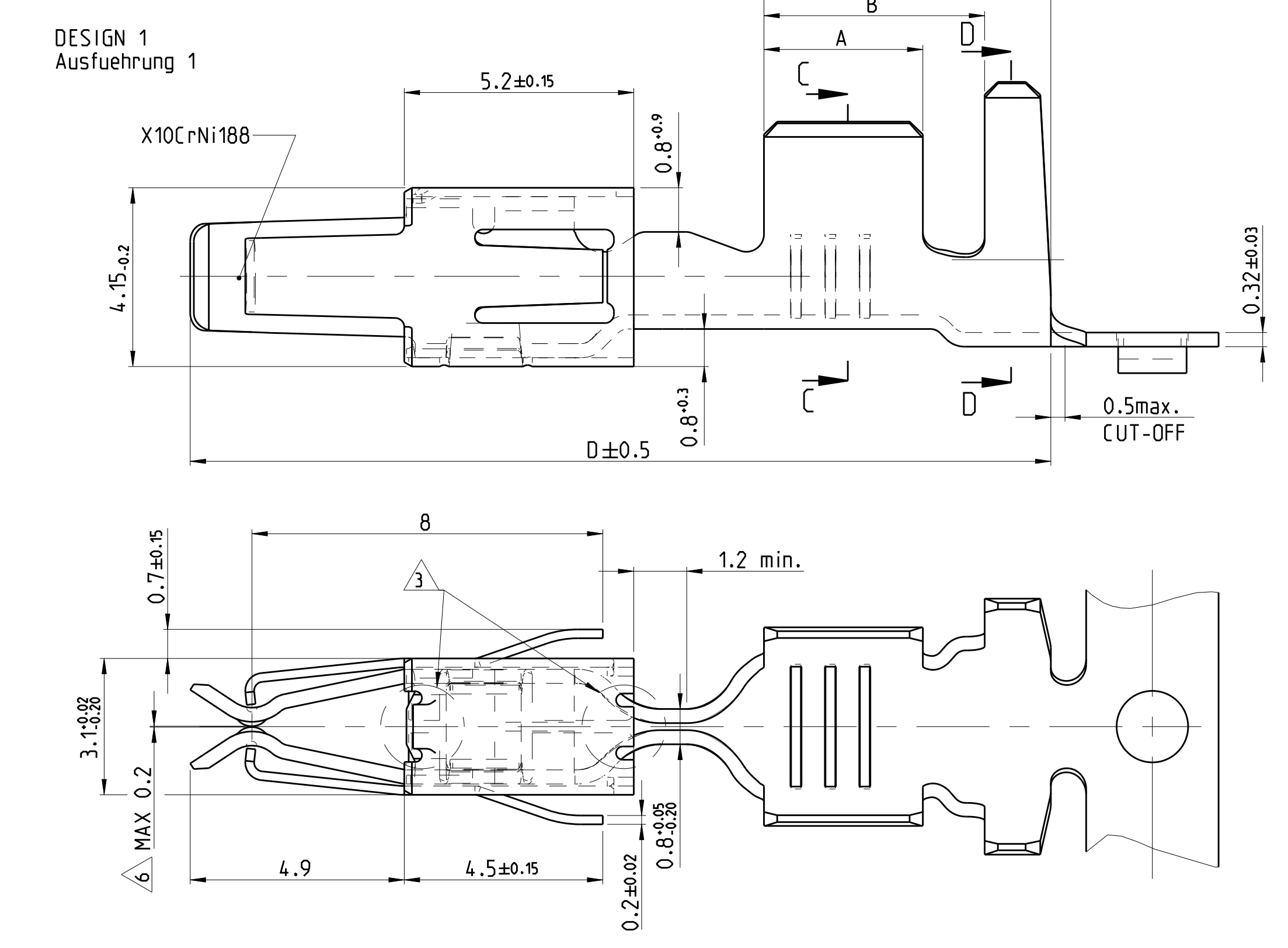
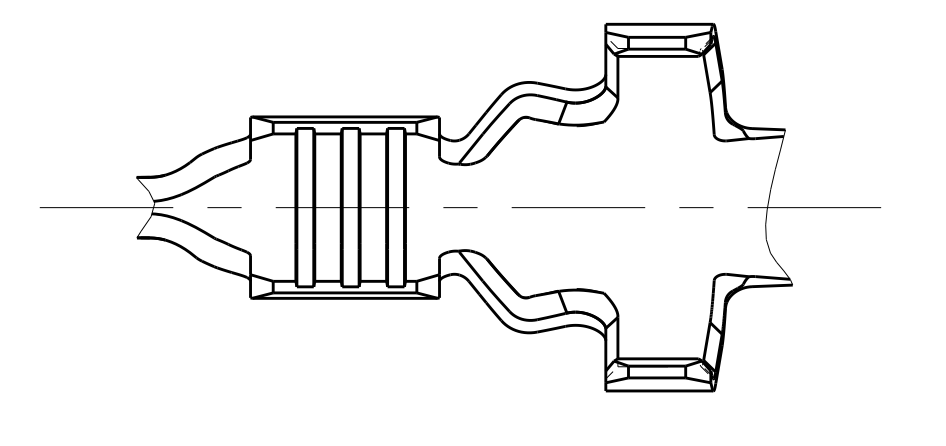
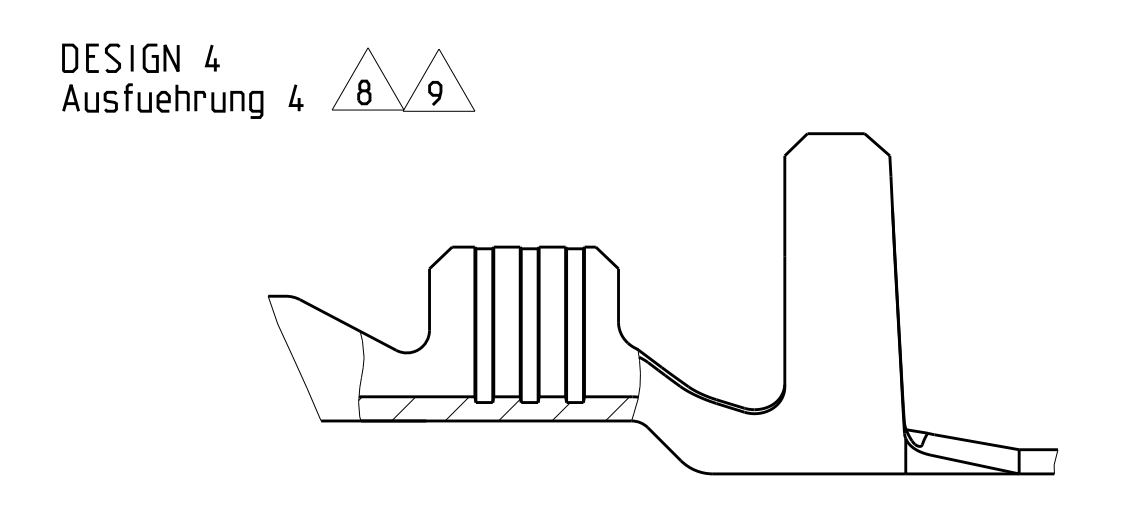


REVISIONS			
REV	DATE	APPD	DESCRIPTION
B11	090K11	homelnd Eder	PN's set obsolete
B12	10AP016	homelnd Eder	New Creo drawing created
B13	10K12016	homelnd Eder	NEW COLUMN "D" ADDED
B14	16AP02015	SK Sch	REMOVED NOTE 7

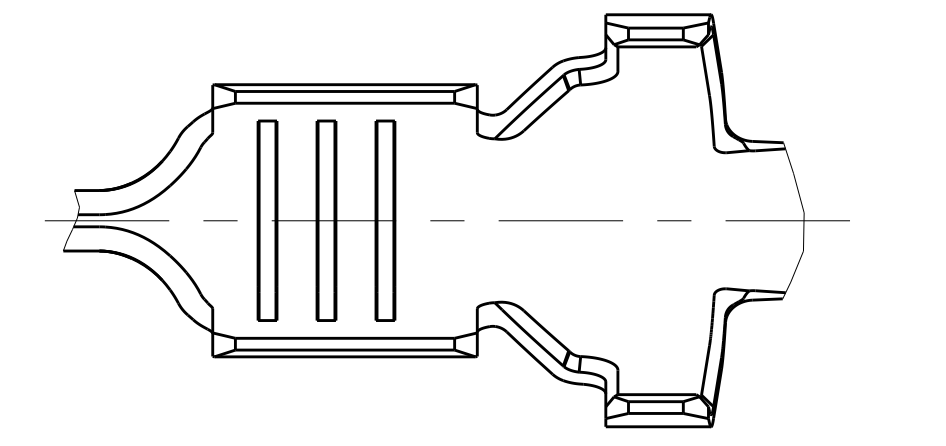
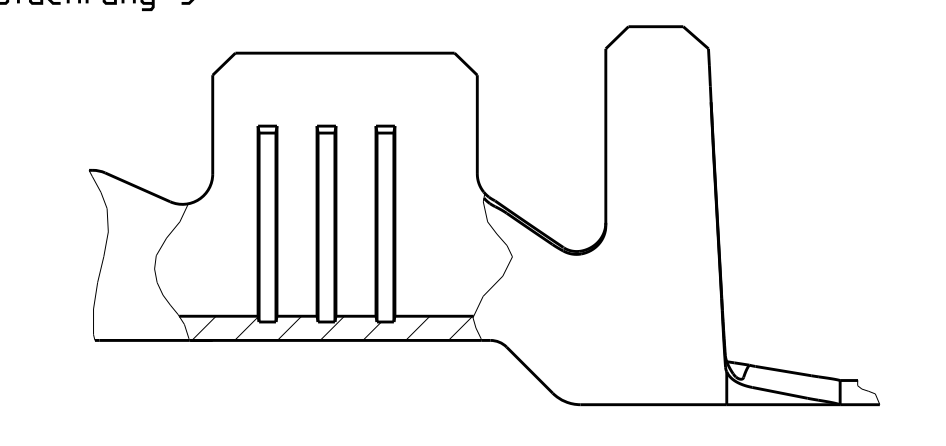
FLR-WIRE  
FLR-Leitung



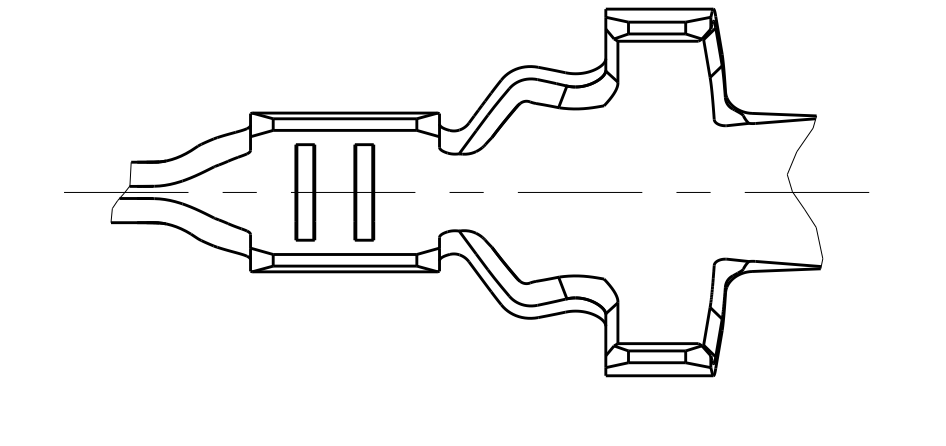
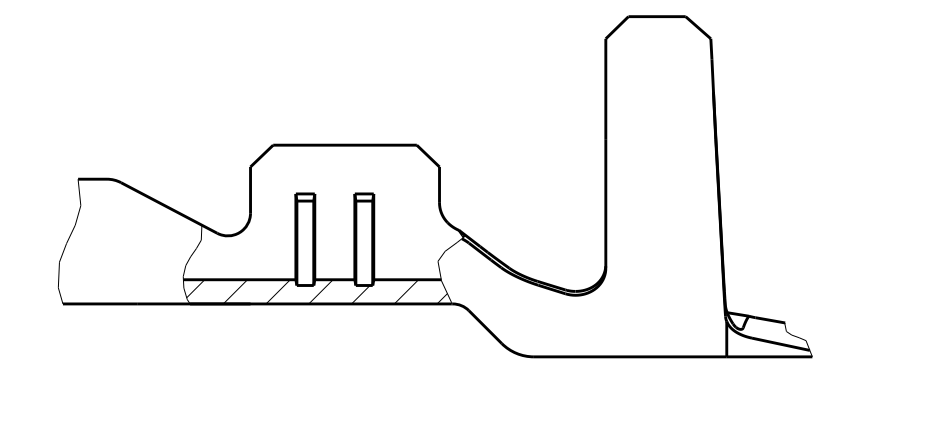
FLR- AND FLK-CABLE  
FLR- und FLK- Leitung



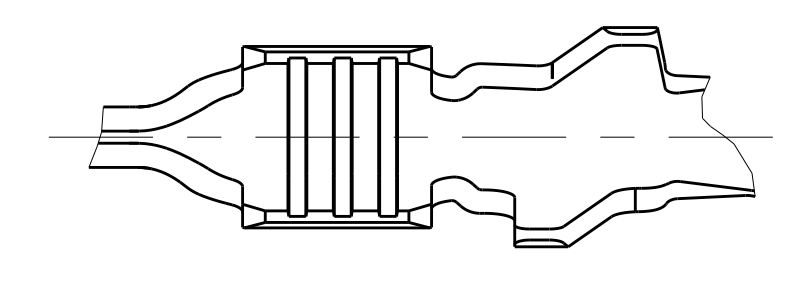
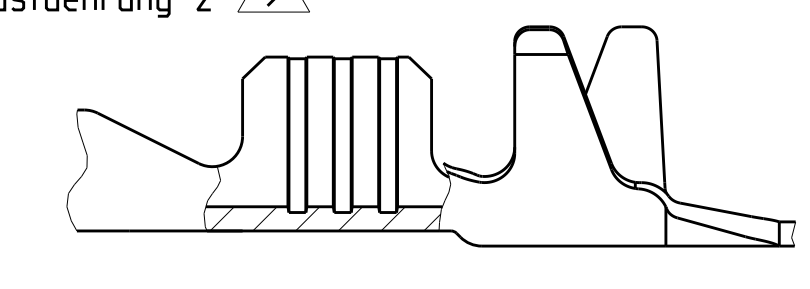
DESIGN 5  
Ausfuehrung 5



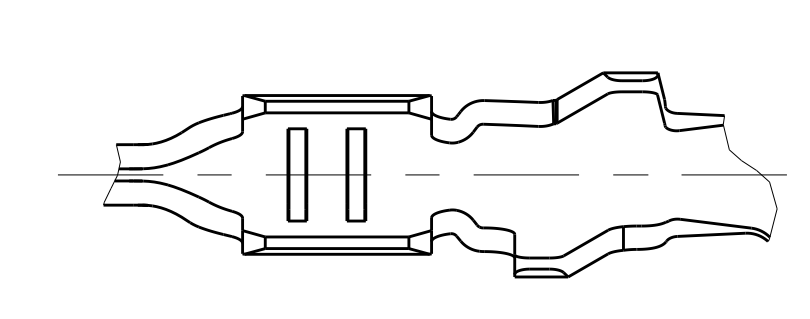
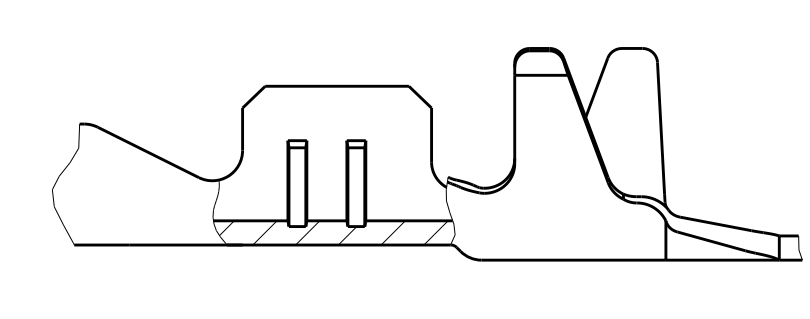
DESIGN 6  
Ausfuehrung 6



DESIGN 2  
Ausfuehrung 2



DESIGN 3  
Ausfuehrung 3

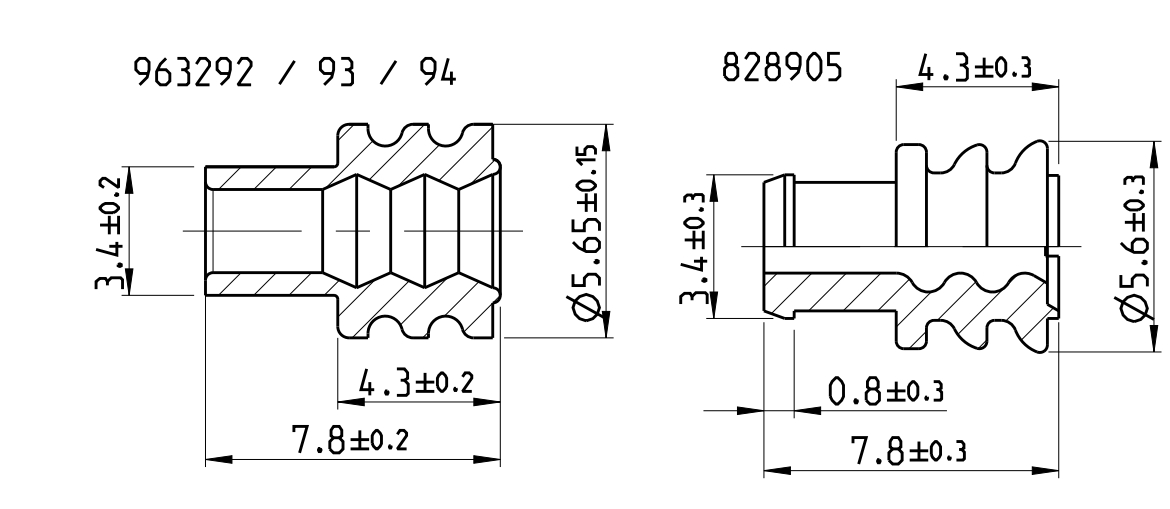


TE ORDER NO. STRIP FORM Bandware	REV.	DESIGN Ausfuehrung	MATERIAL Werkstoff	SURFACE Oberflaeche	WIRE RANGE Drahtgroessen Bereich (mm²)	INSULATION Isolations Ø (mm)	STRIP FORM Drahtgroessen Bandware				CRIMP DATA Crimpdaten u. Crimpwerkzeuge	
							A	B	C	D		
1241978-2	A	1	CuSn 4	PRETINNED vorverzinkt	2.5-4.0	2.7-3.7	E = 4.5 G = 4.7 DDr = 2.3	H = 5.8 K = 6.0 D = 3.3	3.6	5.0	6.5	19.5
1241978-1	A		CuFe2	PRETINNED vorverzinkt								
4-965999-1	F		CuNiSi	⚠								
2-965999-1	F		CuSn 4	⚠								
965999-6	A	1	CuSn 4	⚠	1.0-2.5	2.2-3.0	E = 3.6 G = 3.8 DDr = 1.8	H = 4.7 K = 4.9 D = 2.6	3.3	4.3	5.8	18.8
965999-2	F		CuSn 4	PRETINNED vorverzinkt								
965999-1	F		CuFe2	PRETINNED vorverzinkt								
4-964284-1	F		CuNiSi	⚠								
2-964284-1	F		CuSn 4	⚠								
964284-6	A	1	CuSn 4	⚠	0.5-1.0	1.4-2.1	E = 2.5 G = 2.7 DDr = 1.2	H = 3.7 K = 3.9 D = 1.8	3.0	4.0	5.5	18.8
964284-2	F		CuSn 4	PRETINNED vorverzinkt								
964284-1	F		CuFe2	PRETINNED vorverzinkt								
2-2141892-1	A	2	CuSn 4	⚠	0.35	1.2-1.3	E = 2.4 G = 2.3 DDr = 1.0	H = 2.9 K = 2.9 D = 1.4	2.5	3.5	5.6	18.8
2141892-2	A		CuSn 4	PRETINNED vorverzinkt								
2-964280-1	F		CuSn 4	⚠								
964280-2	F	3	CuSn 4	PRETINNED vorverzinkt	0.2-0.5	1.15-1.6	E = 2.1 G = 2.1 DDr = 0.8	H = 2.7 K = 2.8 D = 1.4	2.5	3.5	5.6	18.8
964280-1	F		CuFe2	PRETINNED vorverzinkt								
2-1564326-1	A	4	CuSn 4	⚠	0.35	1.2-1.3	E = 2.4 G = 2.3 DDr = 1.0	H = 4.85 K = 4.5 D = 3.2	2.5	4.7	6.3	19.5
1241872-1	A	5	CuFe2	PRETINNED vorverzinkt	1.0-2.5	2.2-3.0	E = 3.6 G = 3.8 DDr = 1.8	H = 5.3 K = 5.0 D = 3.5	3.5	5.2	6.8	19.5
1241868-1	A	5	CuFe2	PRETINNED vorverzinkt	0.5-1.0	1.4-2.7	E = 2.5 G = 2.7 DDr = 1.2	H = 5.1 K = 4.8 D = 3.3	3.0	4.7	6.3	19.5
4-1241864-1	A	6	CuNiSi	⚠	0.2-0.5	1.2-2.3	E = 2.1 G = 2.1 DDr = 0.8	H = 4.7 K = 4.5 D = 3.2	2.5	4.7	6.3	19.5
6-964273-6	F		CuSn 4	⚠								
3-964273-1	F		CuNiSi	⚠								
2-964273-1	F	5	CuSn 4	⚠	1.0-2.5	2.2-3.0	E = 3.6 G = 3.8 DDr = 1.8	H = 5.3 K = 5.0 D = 3.5	3.5	5.2	6.8	19.5
964273-2	F		CuSn 4	PRETINNED vorverzinkt								
964273-1	F		CuFe2	PRETINNED vorverzinkt								
6-964286-6	F		CuSn 4	⚠								
2-964286-1	F		CuSn 4	⚠								
964286-2	F	5	CuSn 4	PRETINNED vorverzinkt	0.5-1.0	1.4-2.7	E = 2.5 G = 2.7 DDr = 1.2	H = 5.1 K = 4.8 D = 3.3	3.0	4.7	6.3	19.5
964286-1	F		CuFe2	PRETINNED vorverzinkt								
2-2141894-1	A	4	CuSn 4	⚠	0.35	1.2-1.3	E = 2.4 G = 2.3 DDr = 1.0	H = 4.85 K = 4.5 D = 3.2	2.5	4.7	6.3	19.5
2141894-2	A		CuSn 4	PRETINNED vorverzinkt								
6-964282-6	F		CuSn 4	⚠								
2-964282-1	F		CuSn 4	⚠								
964282-2	F	6	CuSn 4	PRETINNED vorverzinkt	0.2-0.5	1.2-2.3	E = 2.1 G = 2.1 DDr = 0.8	H = 4.7 K = 4.5 D = 3.2	2.5	4.7	6.3	19.5
964282-1	F		CuFe2	PRETINNED vorverzinkt								

SEE APPLICATION - SPECIFICATION  
siehe Verarbeitungspezifikation  
TIL-18050

NOTES  
Bemerkungen

- ⚠ BODY ELECTRO TIN PLATED OVER NICKEL 0.2 µm min.  
Kontaktkoerper gal. verzinkt ueber Nickel 0.2 µm min.  
CONTACT AREA SELECTIV GOLD OVER NICKEL 0.8 µm min.  
Kontaktzone selektiv verguldet ueber Nickel 0.8 µm min.  
WIRE CRIMP AREA ELECTRO TIN PLATED 1 µm min.  
Drahtcrimbereich galv. verzinkt 1 µm min.
- ⚠ ACCORDING INSULATION DIA IS TO CHOOSE THE SINGLE WIRE SEAL  
Entsprechend dem Isolationsdurchmesser ist die Einzel-Dichtung auszuwaehlen
- ⚠ CUT OFF OPTIONAL  
Optionaler Federabschnitt
- ⚠ VARIANTS WITH GAP-SIZE 0.3mm  
Varianten mit Gap-Size 0.3mm
- ⚠ FOR EVALUATION OF THE GAP-SIZE, THE MATING-FORCE HAS PRIORITY.  
Zur Beurteilung des Oeffnungsmasses ist die Steckkraft ausschlaggebend
- ⚠ CONTACT BODY PRE-SILVER PLATED MIN. 0.8µm  
CONTACT ZONE SELECTIVE PRE-SILVER PLATED MIN. 3µm  
Kontaktkoerper vorversilbert min. 0.8µm  
Kontaktzone selektiv vorversilbert min. 3µm
- ⚠ PUNCHED WITH VOLATILIZING STAMPING-OIL  
Gestanzl mit fluechtigendem Stanzoel
- ⚠ SERRATIONS OVER THE WHOLE WIDTH OF THE CRIMP AREA  
Rillen ueber die ganze Breite des Crimbereichs.



SINGLE WIRE SEAL Einzel-Dichtung		
963292-1	2.7-3.0	yellow gelb
963293-1	2.0-2.7	redbrown rotbraun
963294-1	1.2-2.1	blue blau
828905-1	2.2-3.0	white weiss
ORDER No. Bestell-Nr.	INSULATION Ø Isolations Ø	COLOUR Farbe

