



- ▶ Dual-beam contacts for added reliability
- ▶ Slotted cutout in low profile housing simplifies electrical testing
- ▶ Side-by-side and end-to-end stackable

TECHNICAL DATA

Physical

- ▶ Housing: Black thermoplastic
- ▶ Flammability rating: UL 94 V-0
- ▶ Pin: Phosphor-bronze
- ▶ Plating: Gold or tin over 1.27 µm (50 µ") nickel



Electrical Performance

- ▶ Current rating: 2.5 A max. per contact
- ▶ Insulation resistance: 50,000 MΩ min.
- ▶ Contact resistance: 15 MΩ max. initial, 20 Ωm max. after environmental tests
- ▶ Dielectric withstanding voltage: 800 V

Mechanical Performance

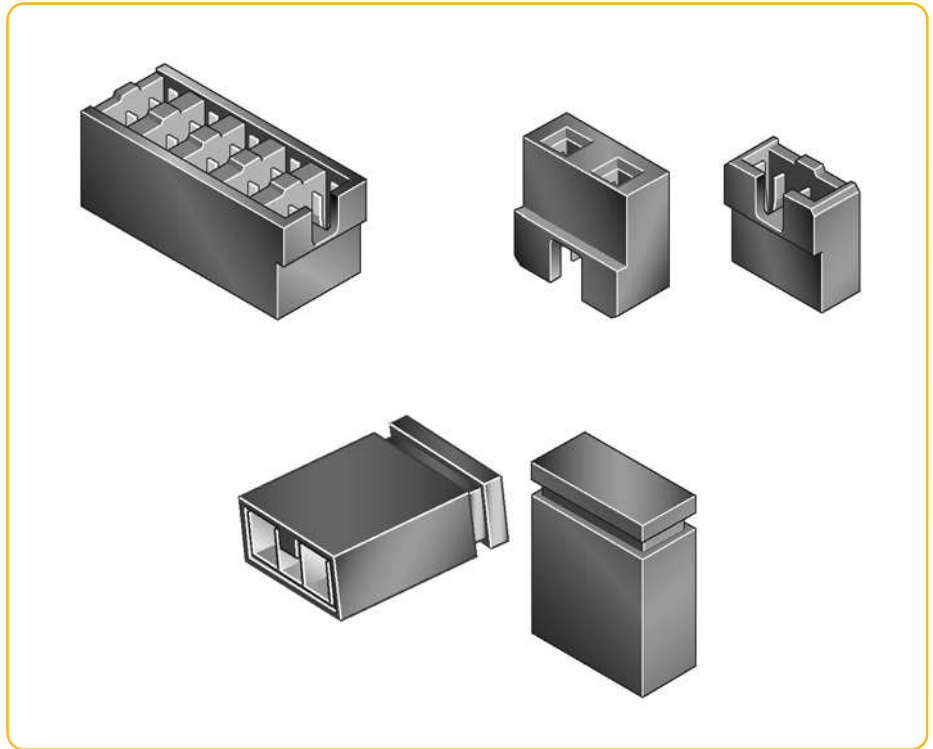
- ▶ Mating cycles (durability): 50-Gold
25-Tin.
- ▶ Insertion force:
450 gf max. per gold contact
500 gf max. per tin-lead contact
- ▶ Withdrawal force:
30 gf min. per gold contact
30 gf min. per tin-lead contact

Operating Temperature Range

- ▶ -55°C to +120°C

Packaging

- ▶ Plastic bags



Reference Information

- ▶ File no. E66906
- ▶ File no. LR46923
- ▶ Product drawing: By 5-digit base number
- ▶ Product specification:
BUS-12-071 - Gold
BUS-12-070 - Tin

Specifications subject to change without notice.

MATING DATA

- ▶ Continuous unshrouded headers 14
- ▶ Unshrouded vertical headers 10, 12
- ▶ Unshrouded right angle headers 16, 18

INSERTION DEPTH

- ▶ 4.85 mm (.191") min. [provides 3.81 mm (.015") wipe] - Low profile

RoHs INFORMATION

This product is RoHs compatible according to the European Union Directive 2002/95/IEC

2.54 mm (.100")

PART NUMBER

Low profile



2 = 0.76 μm (30 μin) gold
3 = tin

Standard



2 = 0.76 μm (30 μin) gold
3 = tin

Multi-position



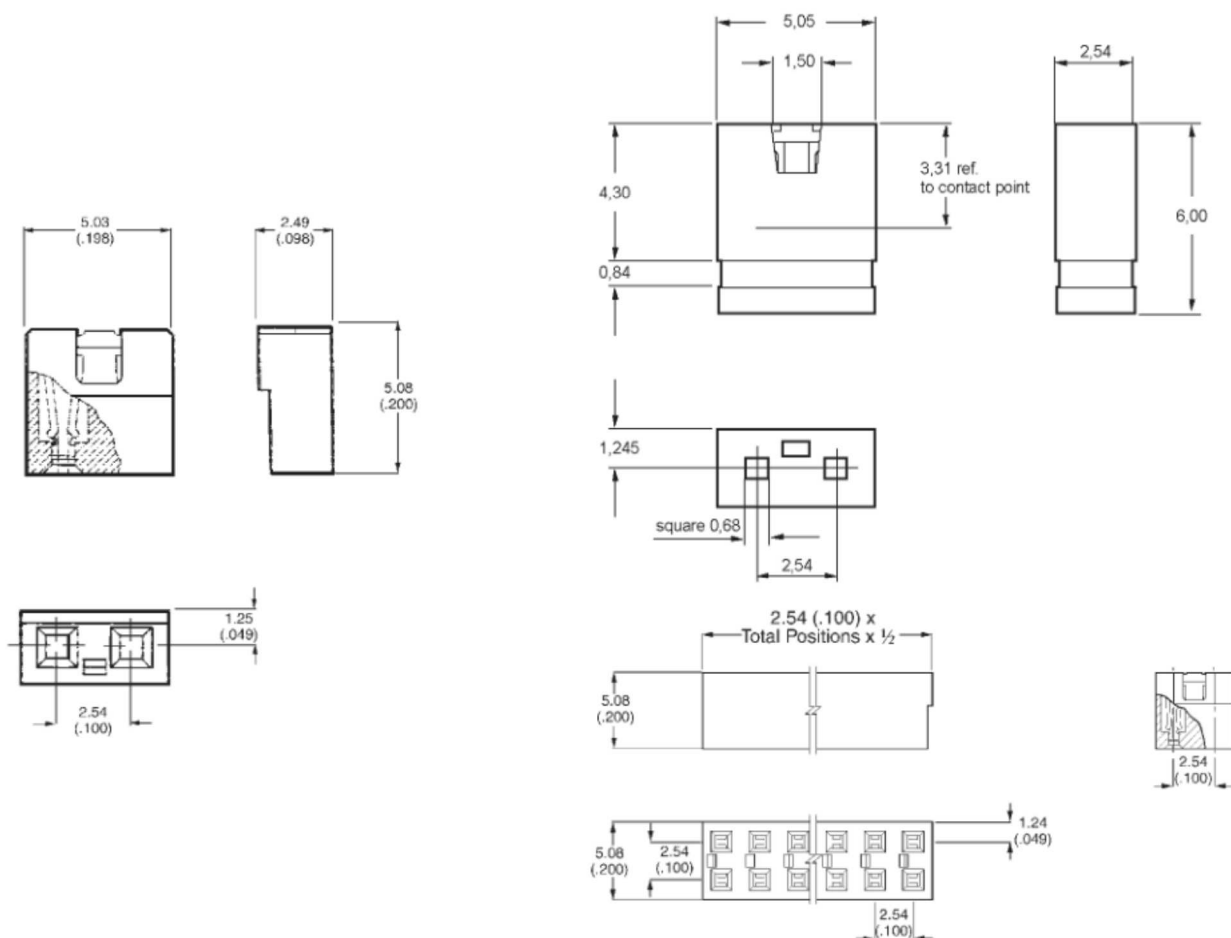
2 = 0.76 μm (30 μin) gold
3 = tin
1 to 20 positions

68786 - 202 - LF

CORE RANGE

68786 - 302LF
63429 - 202LF

PRIORITY PART



2.54 mm (.100")