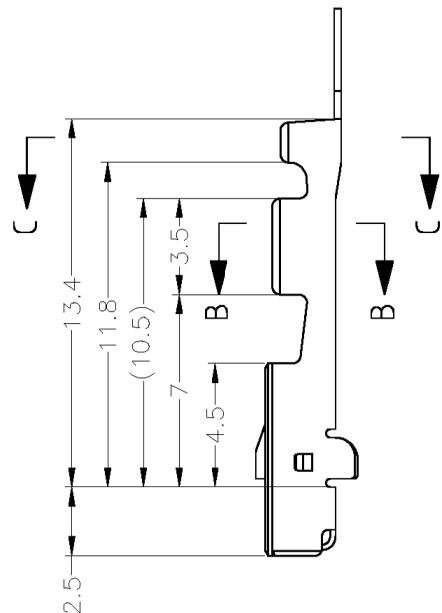
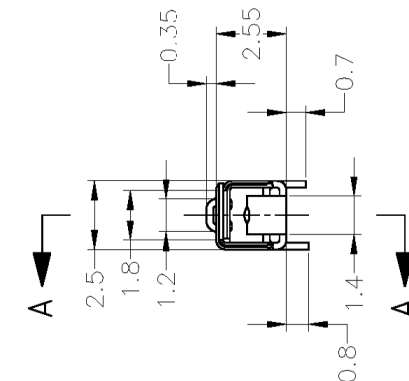
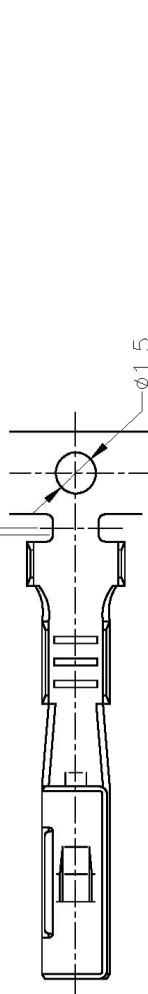
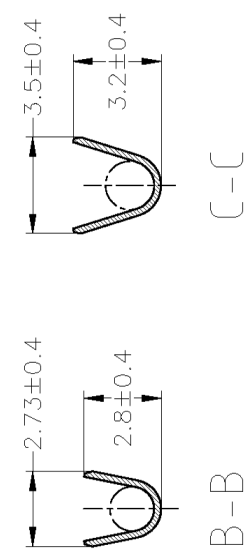


RELEASED FOR PUBLICATION		REVISED		DATE		DWN	
ALL RIGHTS RESERVED.		ECR-14-013120		05SEP2014		TS	
COPYRIGHT - By Tyco Electronics JAPAN G.K.		F2		LTR		P	
DIST		J		—		—	
LOC		—		—		—	

0.5MAX. (CUT OFF TAB)  
0.5最大 (カットオフタブ)



A-A



B-B

C-C

FJPI-175269-5	ZKLF-5	PRE-TIN	175269-5
FJPI-175269-2	BRASS	PRE-TIN	175269-2
FJPI-175269-1	BRASS	PRE-TIN	175269-1
PACKING INSTRUCTION NUMBER		LOOSE PIECE CONTACT PN	FINISH
MATERIAL		PART NUMBER	

1. APPLICATION SPEC NO. 114-5160

1. 取付適用規格番号 114-5160

THIS DRAWING IS A CONTROLLED DOCUMENT.		TE Connectivity	
DWN	T.SHIINOHARA	05JUL2012	
CHK	K.BETSUI	05JUL2012	
APVD	K.BETSUI	05JUL2012	
PRODUCT SPEC	NAME		
APPLICATION SPEC	070II SERIES M RECEPTACLE CONTACT		
SEE NOTE	SIZE	CAGE CODE	DRAWING NO
WEIGHT	0.33 g	A300779	175269
CUSTOMER DRAWING		SCALE	5:1
		SHEET	1 OF 1
		REV	1

TOLERANCES UNLESS OTHERWISE SPECIFIED:	±
0 PLC	±
1 PLC	±
2 PLC	±
3 PLC	±
4 PLC	±
ANGLES	±
FINISH	±
MATERIAL	SEE TABLE
SEE TABLE	SEE TABLE

線断面積 (WIRE RANGE) 1.8~2.6 mmφ  
1.29 mmφ (AWG#20-#16)