

4

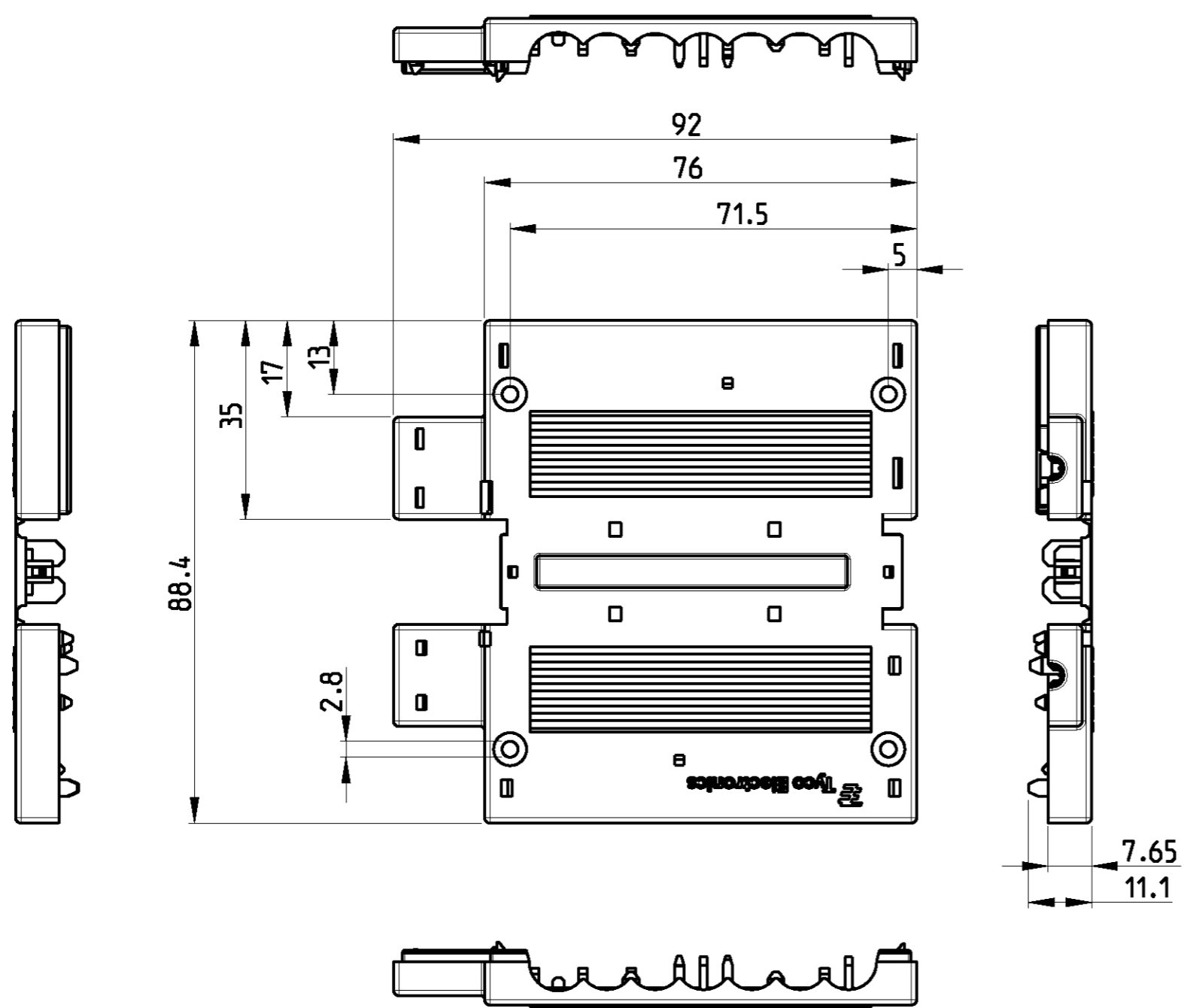
3

2

1

THIS DRAWING IS UNPUBLISHED. RELEASED FOR PUBLICATION 2007
 © COPYRIGHT 2007 BY TYCO ELECTRONICS CORPORATION. ALL RIGHTS RESERVED.

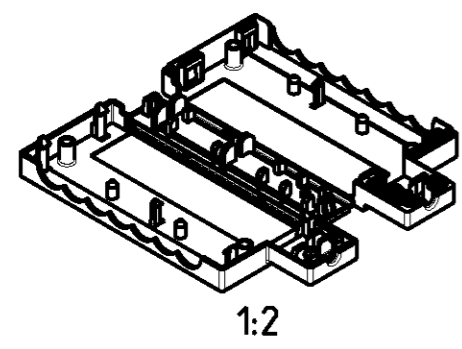
LOC	DIST	REVISIONS			
P	LTR	DESCRIPTION	DATE	DWN	APVD
	E	inner geometry update	05MAY2008	SKA	TG
	F	NEW TYCO ELECTRONICS LOGO	25JUN2010	AV	GT
	F1	ADDED PART NUMBERS -1:-2	22OCT2010	AV	GT



NOTES:

1. Counterpart is Distributor PN 1740317-x

1740315-2	F	BLACK
1740315-1	F	WHITE
PN	REV.	COLOR



<small>THIS DRAWING IS A CONTROLLED DOCUMENT FOR TYCO ELECTRONICS CORPORATION IT IS SUBJECT TO CHANGE AND THE CONTROLLING ENGINEERING ORGANIZATION SHOULD BE CONTACTED FOR THE LATEST REVISION.</small>		DWN S.Skade 06JUL2007 CHK P.Kraemer 06JUL2007 APVD T.Gerlach 06JUL2007		tyco Electronics AMP GmbH 64625 Bensheim (Germany)	
DIMENSIONS: mm		TOLERANCES UNLESS OTHERWISE SPECIFIED: 0 PLC ±0.2 1 PLC ±0.2 2 PLC ±0.2 3 PLC ± 4 PLC ± ANGLES ±1°		NAME 7.5mm MiniHVL CONNECTOR SYSTEM COVER FOR DISTRIBUTOR	
MATERIAL PA6		FINISH -		PRODUCT SPEC 108-94019 APPLICATION SPEC 114-18752 WEIGHT 14.7 g	
CUSTOMER DRAWING				SIZE A3	CAGE CODE 00779
SCALE 1:1				DRAWING NO C-1740315	RESTRICTED TO -
SHEET 1 OF 1				REV F1	