

4

3

2

1

THIS DRAWING IS UNPUBLISHED.

RELEASED FOR PUBLICATION

--

© COPYRIGHT - By -

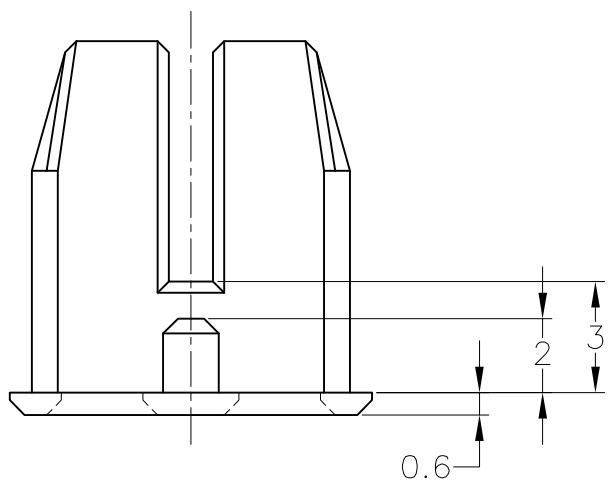
ALL RIGHTS RESERVED.

LOC

DIST

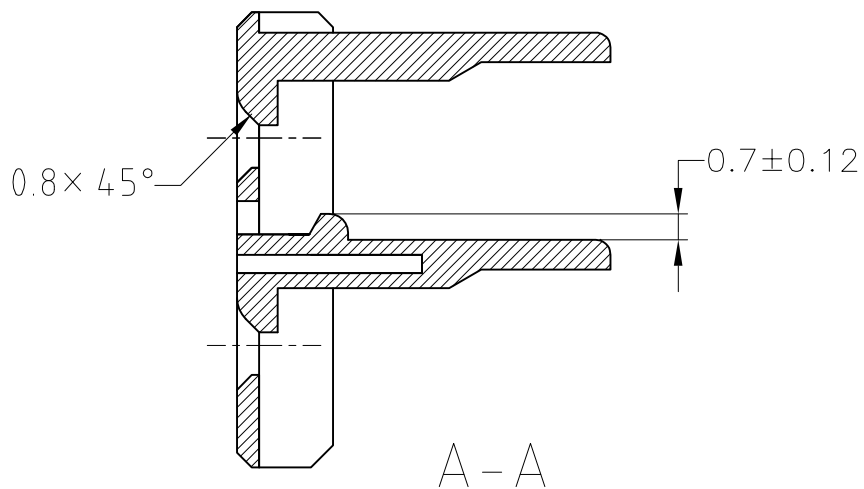
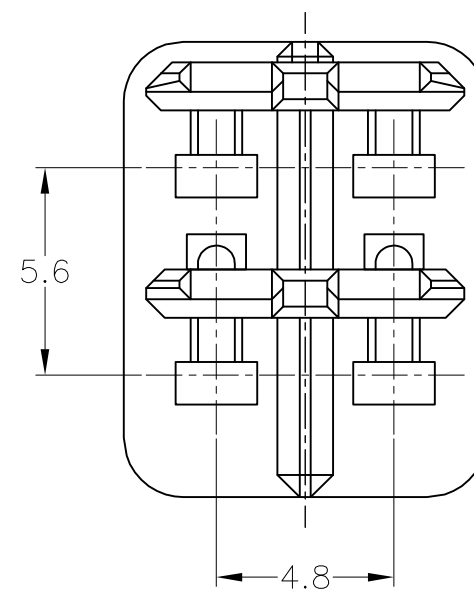
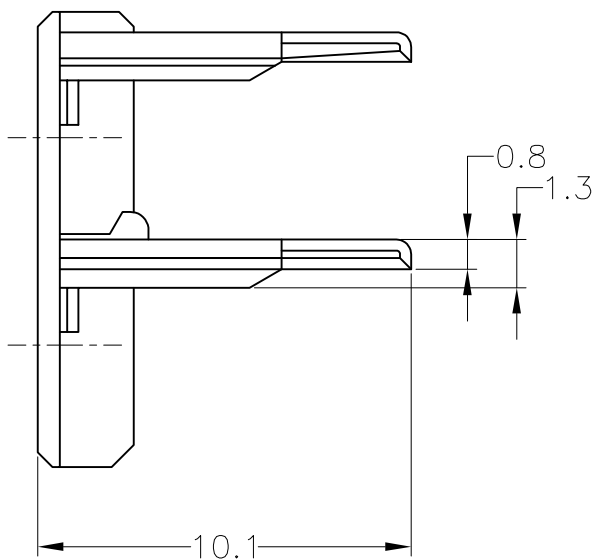
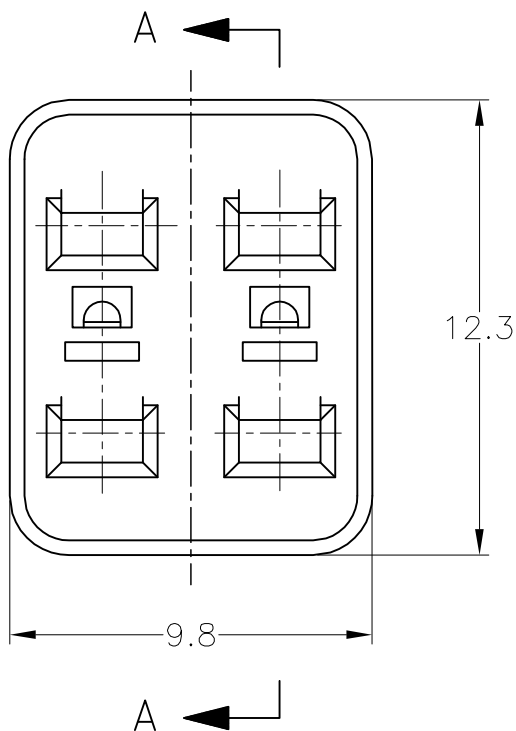
REVISIONS

P	LTR	DESCRIPTION	DATE	DWN	APVD
	B3	REVISED	ECR-14-013002	01SEP2014	TS KB



1. 本品はプラグハウジング型番174257に装着される

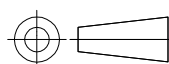
1. TO BE MATES WITH CAP HOUSING PART NUMBER 174257



PBT	NATURAL 自然色	1-174258-1
PBT, 難燃材	YELLOW 黄	174258-7
MATERIAL 材料	HOUSING COLOR ハウジング色	PART NUMBER 型番

THIS DRAWING IS A CONTROLLED DOCUMENT.

DIMENSIONS:  
mm



TOLERANCES UNLESS OTHERWISE SPECIFIED:

0 PLC	± -
1 PLC	± -
2 PLC	± -
3 PLC	± -
4 PLC	± -
ANGLES	± -

MATERIAL

SEE TABLE

FINISH

-

DWN T.SHINOHARA 01SEP10

CHK K.BETSUI 01SEP10

APVD K.BETSUI 01SEP10

PRODUCT SPEC

108-5262

APPLICATION SPEC

-

WEIGHT

-

CUSTOMER DRAWING

**STE** TE Connectivity

NAME  
4POSITION ECONOSEAL J MK-II+ CONNECTOR  
DOUBLE LOCK PLATE FOR PLUG HOUSING

SIZE	CAGE CODE	DRAWING NO	RESTRICTED TO
A3	00779	C=174258	-

SCALE 5:1 SHEET 1 of 1 REV B3